

LED
FUNCTIONAL
FIXTURES





NUVO's Functional line of luminaries offers the latest technologies and manufacturing design in LED lighting for the commercial, industrial and residential market.

We bring quality, value and design to every product we create. With each progressive generation our technology and engineering advance, improving product performance, versatility of application, ease of installation, safety, maintenance and overall satisfaction.

NUVO provides lighting solutions you can count on, and products you can rely on.



We do the LIGHT thing. We do the RIGHT thing.™

SATCO is a single source solution for all of your lighting needs, from emerging LED technologies to decorative fixtures and lighting components, we carry products for nearly every industry and application.

As a turnkey lighting operation, SATCO brings efficiency, value and an ease of doing business to our customers.



50+ YEARS IN
BUSINESS

100% INDEPENDENT
PRIVATELY OWNED

15,000+
PRODUCTS

2 MILLION SQ. FT
OF INVENTORY

6 WAREHOUSE
LOCATIONS

Independent and privately owned for over 50 years, SATCO is grown on traditional values: trust, quality, loyalty and hard work. Agile in practice, unwavering in customer focus.

**we deliver on
product, promise & partnership.**





LAY IN/HIGH BAY

Advancements in the manufacturing design of SATCO's lay in and high bay fixtures expand their opportunity in the market. Among our new introductions: Adjustable Panel Linear High Bay and our Emergency Battery Back Up Troffers, UFO High Bay and our CCT selectable back lit panels.

Features like flicker-free technology and a bevy of accessories extend product versatility through installation, light diffusion, beam angle adjustment and more.



SURFACE MOUNT

While Satco boasts many surface mount fixtures, Blink® is by far our stand out. Sleek and minimalistic, this dexterous fixture plays well in any environment.

Damp or wet location certified, available in numerous shapes and size combinations in "new classic" finishes like gunmetal, polished nickel, white and matte black, BLINK® goes just about anywhere. In 2020 NUVO introduced Blink Luxe to the family, our most decorative introduction yet.

Most Blink fixtures meet T24 requirements. Many are ENERGY STAR® certified.



UTILITY

NUVO's LED "utility" fixtures are designed to light spaces effectively, efficiently and conveniently with clean lines and unobtrusive styling. From laundry rooms, garages, stairwell and closets in the home and commercial applications including retail, office buildings, workshops and more.

Satco's 2020 utility offering includes connectable lighting, photo sensors, motion sensor, dimmable, color selectable, and emergency ready options,



With every new introduction and every generation, new technologies advance LED lighting.



MULTI PURPOSE

Simple, cost-effective, decorative fixtures that are low maintenance, energy efficient and aesthetically neutral answer the needs of a variety of spaces, making them popular lighting products.

These fixtures move from residential to commercial, bedroom to basement, closet to kitchen. NUVO's offering include damp locations, sensor options, all at a premium value.



FLOOD LIGHTS AND WALL

Architectural lighting enhances the exterior of any building and landscaping. NUVO 2020 includes an expansion of flood lights and outdoor wall mounted fixtures.

From durable, quality flood lights in multiple sizes and mounting options to commercial wall fixtures that bring sophistication to any facade,

NUVO's proven designs and products have continued to win on value, quality and design.



LANDSCAPE FLOODS

Landscape flood lights that are high powered, easy to install, easy to adjust and easy to maintain -- the outdoor flood light features your customers are looking for!

No transformer is required with these energy savers available in 6W, 9W and 12W versions. Low to no maintenance, and long LED life.





CANOPY/AREA/ WALL

Exterior lighting for security, safety and illumination; rugged enough to withstand the elements and available at a motivating, energy-saving value -- we've got it.

NUVO's DLC® and DLC® Premium commercial outdoor fixtures are packed with premium features, many with built-in microwave sensors or sensor add-ons. With DLC® premium rebates and LED energy savings, the ROI is built right in.

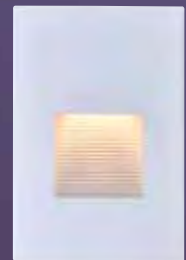


STEP LIGHTS

NUVO's LED step lights are offered in horizontal and vertical configurations.

No transformer is required. Both models are available in gray, white and bronze, 3000K and are dimmable

Step lights are one of NUVO's newer additions to our expanding outdoor design category.



RECESSED

NUVO's unrivaled offering of recessed downlighting is both vast and diverse. We continue to offer new retrofit options to help bridge technology and we include new features like selectable CCT and remote drivers. Architectural options such as our new linear recessed and NUVO's popular FREEDOM® line of architectural downlights offer high end options at a great value; and commercial color selectable downlights with both lumen and CCT selection offer the ability to replace as many as 120 skus with 8, an unbelievable value.



We do the LIGHT thing. We do the RIGHT thing.



TRACK

Track lighting, track heads and now mono points continue to prove one of the most versatile fixtures in lighting. From retail to residential, track continues to maintain its place in modern mainstream design while also providing useful, adaptable accent lighting.

New double track heads, mono points and shape variations provide subtle modern twists; and, of course, generation after generation, light efficacies continue to advance.



UNDER CABINET AND COVE

THREAD® linear LED system for under cabinet and cove lighting is the industry's most convenient and easiest linear connective system. With its on-board driver, THREAD® can achieve lengths of as much as 65' from one power feed.

THREAD® uses exact spacing technology to ensure there are no gaps in its lighting, and a diffuser lens for even light so there are no hot spots. It is dimmable and ENERGY STAR® certified.

THREAD® cove lighting helps open up spaces, highlight architectural details, illuminate underneath or inside a cabinet or underneath a toe kick.



SMART HOME

Satco's Smart Home Z-Wave Products allow consumers to dip their toes into smart home controls at a relatively low cost.

Satco's wall switches and plug in modules control lighting and small appliances that are Z-Wave enabled.



We do the LIGHT thing. We do the RIGHT thing.

TABLE OF CONTENTS

INDOOR LAY-IN HIGH BAY	9	CCT Selectable Full Cutoff Wall Pack.....	82
Back-lit Panels featuring Selectable CCT.....	10	CCT Selectable Semi Cutoff Wall Pack.....	83
Wattage & Color Selectable Troffers.....	11	Full Cutoff Small Wall Pack.....	84
Dedicated CCT Troffers.....	12	Full Cutoff Large Wall Pack.....	85
Dedicated CCT Emergency Battery Backup Troffers.....	13	Full Cutoff Small Wall Pack.....	86
4 Ft. Vapor Tight Surface Mount.....	14	Full Cutoff Large Wall Pack.....	87
Industrial Linear High Bay.....	15	13W Wall Pack with Photo Control.....	88
Linear High Bay.....	16	26W Wall Pack.....	89
Adjustable Linear High Bay.....	17	Traditional Wall Pack.....	90
UFO High Bay.....	18	Traditional Premium Wall Pack.....	91
UFO High Bay Optional Accessories.....	19	Semi-Cutoff Wall Packs and Emergency Battery Backup Wall Packs.....	92
BLINK™ SURFACE MOUNT	20	CANOPY / AREA / WALL	93
Blink Luxe Surface Mount.....	21	Round Canopy with Selectable CCT.....	94
1'x1' and 2'x2' Blink Plus Surface Mount.....	22	Square Low Profile Canopy.....	95
1'x2' Blink Plus Surface Mount.....	23	Area Light with Built-in Photocell.....	96
1'x4' Blink Plus Surface Mount.....	24	Wall Mount Carport / Parking Area.....	97
Blink Plus Linear Surface Mount.....	25	Polycarbonate Adjustable Vapor Tight.....	98
1'x1' and 2'x2' Blink Plus Profile Surface Mount.....	26	Die-Cast Vapor Tight.....	99
1'x2' and 1'x4' Blink Plus Profile Surface Mount.....	27	Bulkhead.....	100
Blink Plus Profile Linear Surface Mount.....	28	Architectural Outdoor Wall.....	101
BLINK FLUSH MOUNT	29	Up or Down Outdoor Wall.....	102
Blink Plus 15" and 19" Surface Mount.....	30	Up and Down Outdoor Wall.....	103
Blink Plus 15" and 19" Suspension Kits.....	31	STEP LIGHTS	104
5.5" Round and Square Blink.....	32-33	Horizontal Step Light.....	104
7" Round and Square Blink.....	34-35	Vertical Step Light.....	105
9" Round and Square Blink.....	36-37	RECESSED	106
13" Round Blink.....	38	Freedom™ Architectural Downlights & Retrofits.....	106
6" and 8" Blink "Eco".....	39	4" and 5/6" LED Housings and Reflectors.....	107-108
7" and 9" Blink "Slim".....	40	4" High Lumen LED Housings and Reflectors.....	109
Blink Accessory Slim 7" and 9" Pendant Kits.....	41	4" and 6" Round and Square Trims.....	110-111
5"x18" and 7"x18" Blink Rectangular.....	42	4", 5/6" Recessed Downlight Retrofits with Selectable Color Temperature Settings.....	112
Blink 7" and 9" Battery Backup Modules.....	43	4" Recessed Downlight Retrofits.....	113
UTILITY	45	5/6" Recessed Downlight Retrofits.....	114-115
Wraps.....	47	4" Square Recessed Downlight Retrofits.....	116
Strips.....	48	5/6" Square Recessed Downlight Retrofits.....	117
Linkable Shop Light.....	49	Quick Trim™ 4" and 5/6" Recessed Retrofit 2-Packs.....	118
CCT Selectable Wattage Selectable Strips.....	51	LED Ready Recessed Can Assemblies.....	119
Slim Strips.....	52	CCT Selectable Direct Wire, Back-Lit Linear Recessed.....	121
Wide Strips.....	54	4", 6" and 8" Direct Wire Edge-Lit Downlights.....	122-124
7" and 10" Disk.....	66	4" and 6" Direct Wire Downlights.....	125-126
7" and 10" High Lumen Disk.....	67	4" and 6" Direct Wire Gimbal Downlights.....	127-128
11", 14" and 19" Flush Mount Round with or Without Occupancy Sensor.....	68	4" and 6" Direct Wire, Back-Lit, Square Downlights.....	129-130
11" and 14" 120-277V 0-10V Dimming.....	69	Low Profile LED Edge-Lit Downlights.....	132
11" and 14" Flush Mount Square With or Without Occupancy Sensor.....	70	Low Profile LED Downlights.....	133
11" and 14" Range Voltage Operation (120-277V Flush.....	71	Commercial LED Downlights with Color Quick™ Technology.....	135
14" Range Voltage Operation (120-277V) Flush with Sensors.....	72	TRACK HEADS	136-138
MULTI-PURPOSE	57	LED Track Kits and Accessories.....	139
Glamour Surface Mount.....	56	Canopy Monopoint Wall or Flush Mount.....	140
Glamour Linear.....	57	Linear Track Bars.....	141
Glamour & Crispo Wall.....	58	Track Accessories.....	142
Glamour & Crispo Vanity.....	59	UNDER CABINET & COVE	143-145
Link.....	60	Accessories.....	146
Button Round Flush.....	61	SMART HOME	147
Pi Flush.....	62	Smart Home Gear: 86-100 Plug-in Appliance Module.....	148
12" and 14" Range Voltage Operation (120-277V) Flush.....	63	Smart Home Gear: 86-101 Plug-in Dimmer Module.....	149
11" and 13" Flush.....	64	Smart Home Gear: 86-102 In-Wall Light Switch.....	150
Indoor/Outdoor.....	65	Smart Home Gear: 86-103 In-Wall Dimmer.....	151
FLOODS / WALL PACKS	74	Smart Home Gear: 86-104 3-Way Auxiliary Switch.....	152
Dual Head Security.....	75	STRING LIGHTS	153-154
Area Flood Lights.....	76-77	INDEX	155-158
Landscape Floods.....	79		
Small Wall Pack with Photocell.....	80		
CCT Selectable Adjustable Wall Pack.....	81		



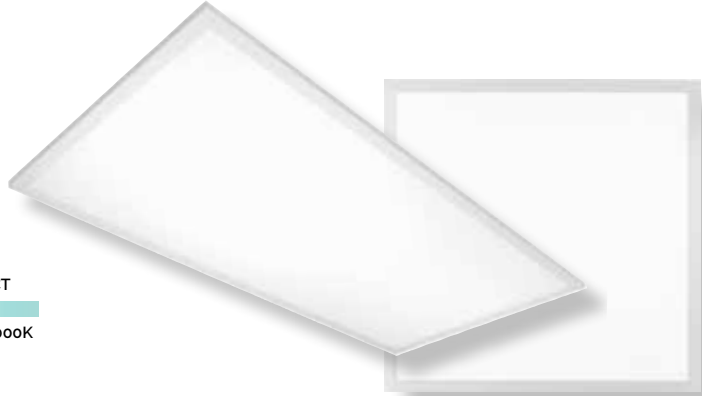
INDOOR



ColorQuick™

Selectable Color Technology

Switch to/from the following CCT



Back-lit flat panels

Featuring selectable CCT

Back-lit technology for consistent, even light distribution

CCT Selectable – 3500K/4000K/5000K

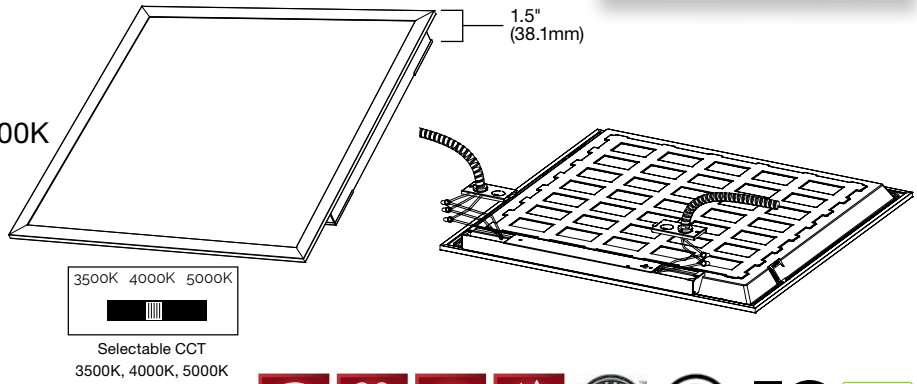
Flicker-free driver

Integrated EM options

Universal input voltage – 100-277V and 100-347V versions

Recessed, surface mount and suspension kits available

5 year warranty



Back-lit Panels featuring Selectable CCT

Item Number	Lamp Description	W	Voltage	CRI	CCT Selectable	Lm	Life/Hrs.	UPC	Pack/Mstr.
65-571	2x2 LED BACK LIT FLAT PANEL	40	100-277V	>80	3500K/4000K/5000K	4200~4400	50K	045923659492	1
65-573	1x4 LED BACK LIT FLAT PANEL	40	100-277V	>80	3500K/4000K/5000K	4200~4400	50K	045923659508	1
65-572	2x4 LED BACK LIT FLAT PANEL	50	100-277V	>80	3500K/4000K/5000K	5250~5500	50K	045923659515	1
65-581	2x2 LED BACK LIT FLAT PANEL	40	100-347V	>80	3500K/4000K/5000K	4200~4400	50K	045923659522	1
65-582	2x4 LED BACK LIT FLAT PANEL	50	100-347V	>80	3500K/4000K/5000K	5250~5500	50K	045923659539	1
65-583	1x4 LED BACKLIT FLAT PANEL	40	100-347V	>80	3500K/4000K/5000K	4200- 4400	50K	045923650789	1
65-575	2x2 LED EM BACK LIT FLAT PANEL	40	100-277V	>80	3500K/4000K/5000K	4200~4400	50K	045923659546	1
65-576	2x4 LED EM BACK LIT FLAT PANEL	50	100-277V	>80	3500K/4000K/5000K	5250~5500	50K	045923659553	1
65-577	1x4 LED EM BACK LIT FLAT PANEL	40	100-277V	>80	3500K/4000K/5000K	4200~4400	50K	045923655616	1
65-585	2x2 LED EM BACK LIT FLAT PANEL	40	100-347V	>80	3500K/4000K/5000K	4200~4400	50K	045923659560	1
65-586	2x4 LED EM BACK LIT FLAT PANEL	50	100-347V	>80	3500K/4000K/5000K	5250~5500	50K	045923659577	1
65-587	1x4 LED EM BACKLIT FLAT PANEL	40	100V-347V	>80	3500K/4000K/5000K	4200- 4400	50K	045923650796	1

Accessories									
65-591	2x2 SUSPENSION KIT							045923659584	30/1
65-592	1x4 SUSPENSION KIT							045923659591	30/1
65-593	2x4 SUSPENSION KIT							045923659607	30/1
65-595	1x4 FRAME KIT	48" L x 12 1/16" W x 4 3/16" D						045923673610	10/1
65-596	2x2 FRAME KIT	24 1/16" L x 24 3/16" W x 4 3/16" D						045923663628	10/1
65-597	2x4 FRAME KIT	48" L x 24 3/16" W x 4 3/16" D						045923663635	10/1
65-588	1x4 FLANGE KIT	49 3/16" L x 13 1/4" W x 1 1/2" D						045923673641	10/1
65-589	2x2 FLANGE KIT	25 3/16" L x 25 3/16" W x 1 1/2" D						045923663598	10/1
65-590	2x4 FLANGE KIT	49 3/16" L x 25 3/16" W x 1 1/2" D						045923653667	10/1

Product sheet NU1607
See warranty for details.



65-690



65-694



65-691

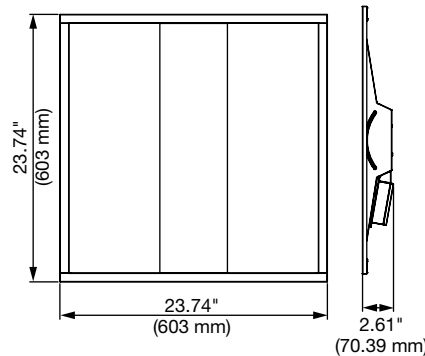
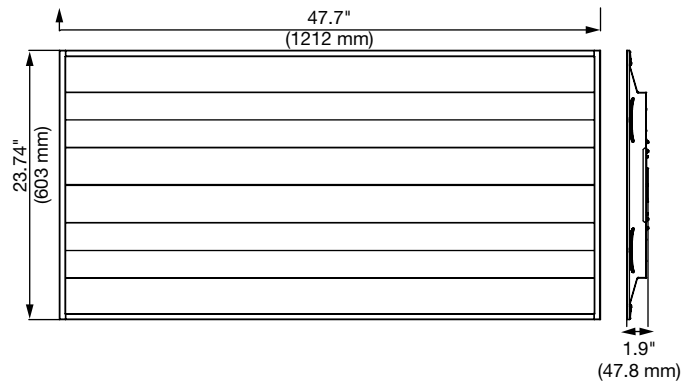


65-695

Wattage & color selectable troffers - single and double basket versions

Features

- CCT Selectable – 3500K/4000K/5000K
- Wattage Selectable
- Volumetric design
- Acrylic linear prismatic lens
- Broad, even, light distribution
- White finish
- Flicker-free driver
- Operating temperature -20°C to 40°C
- Drop into T-bar grid
- 5 Year warranty



Wattage & Color Selectable Troffers



Item Number	Lamp Description	W	V	CRI	CCT	Lm	Life/Hrs.	UPC	Pack
65-690	2X2 SINGLE BASKET TROFFER	30/35/40	100-277	80	3500K/ 4000K/ 5000K	3300-4400	50K	045923656088	1
65-691	2X4 SINGLE BASKET TROFFER	30/40/50	100-277	80	3500K/ 4000K/ 5000K	3300-5500	50K	045923655104	1
65-694	2X2 DOUBLE BASKET TROFFER	30/35/40	100-277	80	3500K/ 4000K/ 5000K	3300-4600	50K	045923655197	1
65-695	2X4 DOUBLE BASKET TROFFER	30/40/50	100-277	80	3500K/ 4000K/ 5000K	3300-5750	50K	045923655203	1

Product sheets NU1626 / NU1628

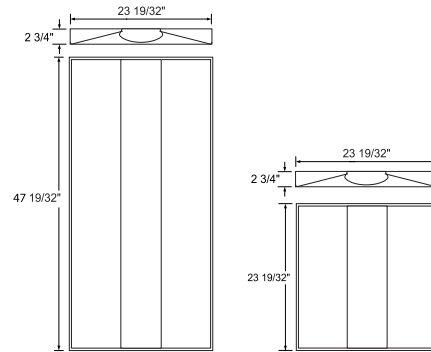
See warranty for details.



Dedicated CCT troffers

Features

- White finish
- Volumetric design
- Acrylic linear prismatic lens
- Flicker-free driver
- Broad, even light distribution
- Operating temperature -20°C to 40°C
- Drop into T-bar grid
- 5 Year warranty



Dedicated CCT troffers



Item Number	Lamp Description	W	V	CRI	CCT	Lm	Life/Hrs.	UPC	Pack
65-421	2x2 Troffer - 30W - 3500K	30	100-277	80	3500K	3750	50K	045923534218	1
65-422	2x2 Troffer - 30W - 4000K	30	100-277	80	4000K	3750	50K	045923534225	1
65-423	2x2 Troffer - 30W - 5000K	30	100-277	80	5000K	3750	50K	045923534232	1
65-427	2x4 Troffer - 40W - 3500K	40	100-277	80	3500K	5000	50K	045923534270	1
65-428	2x4 Troffer - 40W - 4000K	40	100-277	80	4000K	5000	50K	045923534287	1
65-429	2x4 Troffer - 40W - 5000K	40	100-277	80	5000K	5000	50K	045923534294	1
65-430	2x4 Troffer - 50W - 3500K	50	100-277	80	3500K	6250	50K	045923534300	1
65-431	2x4 Troffer - 50W - 4000K	50	100-277	80	4000K	6250	50K	045923534317	1
65-432	2x4 Troffer - 50W - 5000K	50	100-277	80	5000K	6250	50K	045923534324	1

Product sheet NU1518

See warranty for details.

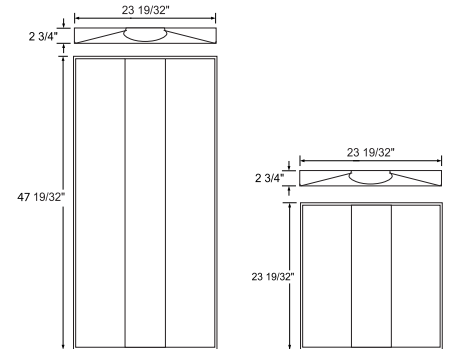
Dedicated CCT **emergency** battery backup troffers



Features

- White finish
- Volumetric design
- Acrylic linear prismatic lens
- Flicker-free driver
- Broad, even light distribution
- Integrated test button and indicator light
- 90 Minute battery run time
- No additional wiring steps
- Operating temperature -20°C to 40°C
- Drop into T-bar grid
- 5 Year warranty

Battery Power
8W/1000Lm



Dedicated CCT Emergency Battery Backup Troffers



Item Number	Lamp Description	W	V	CRI	CCT	Lm	Life/Hrs.	UPC	Pack
65-445	EM 2x2 Troffer - 30W - 3500K	30	100-277	80	3500K	3750	50K	045923534454	1
65-446	EM 2x2 Troffer - 30W - 4000K	30	100-277	80	4000K	3750	50K	045923534461	1
65-447	EM 2x2 Troffer - 30W - 5000K	30	100-277	80	5000K	3750	50K	045923534478	1
65-451	EM 2x4 Troffer - 40W - 3500K	40	100-277	80	3500K	5000	50K	045923534515	1
65-452	EM 2x4 Troffer - 40W - 4000K	40	100-277	80	4000K	5000	50K	045923534522	1
65-453	EM 2x4 Troffer - 40W - 5000K	40	100-277	80	5000K	5000	50K	045923534539	1
65-454	EM 2x4 Troffer - 50W - 3500K	50	100-277	80	3500K	6250	50K	045923534546	1
65-455	EM 2x4 Troffer - 50W - 4000K	50	100-277	80	4000K	6250	50K	045923534553	1
65-456	EM 2x4 Troffer - 50W - 5000K	50	100-277	80	5000K	6250	50K	045923534560	1

Product sheet NU1517

See warranty for details.



4 Foot vapor tight surface mount

Features

- Available with or without occupancy sensor
- Tamper/vandal resistant
- High lumens/watt
- Heat resistant
- Operating temperature -30°C to 55°C
- Wet location when using provided connector*
- 5 Year warranty

Occupancy Sensor Specifications

Sensitivity	10% / 50% / 75% / 100%
Hold-time	5s / 30s / 1min / 5min / 10min / 20min / 30min
Stand-by time	0s / 10s / 1min / 5min / 10min / 30min / 1 hr / +∞
Stand-by dim level	10% / 20% / 30% / 50%
Daylight sensor	2 ~ 50lux, disable
Microwave frequency	5.8GHz +/-75MHz
Detection range	maximum (diameter x height): 16m x 15m
Detection angle	30° ~ 150°
Mounting height	maximum 6m
Working temperature	-20°C ~ 60°C

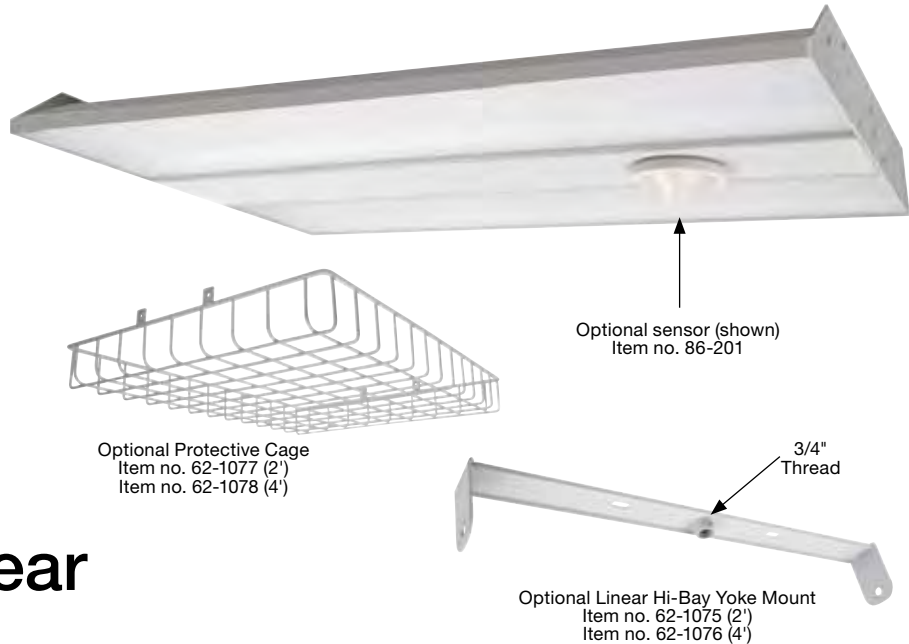
4 Foot Vapor Tight Surface Mount



Item Number	Lamp Description	W	V	Lm	CCT	IP	CRI	Lm P/W	Life/Hrs.	UPC	Pk./Mstr.
62-1061	29W Vapor Proof Sfc. Mnt-4000K	29	100-277	3200	4000K	IP65	80	112	50K	045923410611	1
62-1062	29W Vapor Proof Sfc. Mnt-5000K	29	100-277	3400	5000K	IP65	80	118	50K	045923410628	1
62-1063	58W Vapor Proof Sfc. Mnt-4000K	58	100-277	6400	4000K	IP65	80	110	50K	045923410635	1
62-1064	58W Vapor Proof Sfc. Mnt-5000K	58	100-277	7000	5000K	IP65	80	120	50K	045923410642	1
62-1065	29W Vapor Proof Sfc. Mnt-4000K-w/OCC Sensor	29	100-277	3200	4000K	IP65	80	112	50K	045923410659	1
62-1066	29W Vapor Proof Sfc. Mnt-5000K-w/OCC Sensor	29	100-277	3400	5000K	IP65	80	118	50K	045923410666	1
62-1067	58W Vapor Proof Sfc. Mnt-4000K-w/OCC Sensor	58	100-277	6400	4000K	IP65	80	110	50K	045923510670	1
62-1068	58W Vapor Proof Sfc. Mnt-5000K-w/OCC Sensor	58	100-277	7000	5000K	IP65	80	120	50K	045923410680	1
Accessories											
62-1069	Suspension Kit Set (2 per set) - 9.5" Length									045923410697	50

Product sheet NU1354

See warranty for details.



Industrial linear high bay

Features

- Broad, even light distribution
- 130 lumens per watt
- Operating temperature -30°C to 55°C
- IP20 rated
- 20" Chain suspension kit included
- 5 Year warranty

Optional Sensor Specifications			
Power supply	100/120/240/277VAC, 50/60Hz	HIC protection	Max. 80A for 16.7msec.
Maximum Load @ -40°C ~ 55°C (-40°F ~ 131°F)	Incandescent/Halogen - 800/1200W(VA)@120/277V Fluorescent Ballast/CFL - 800/1200W(VA)@120/277V Ballast Electronic (LED) - 540/1200VA@120/277V	Detectable speed	0.3~3m/sec. (1~10 ft./sec.)
Maximum Load @ 55°C ~ 70°C (131°F ~ 158°F)	Incandescent/Halogen - 500/750W(VA)@120/277V Fluorescent Ballast/CFL - 500/750W(VA)@120/277V Ballast Electronic (LED) - 500/750VA@120/277V	Mounting height	Subject to the lens type applied
Infrared sensor	Omni-directional quad element	Detection range	Subject to the lens applied and height
Load switching	Zero-cross Hybrid-Switching	Ambient light level	7 levels Accu-Set digital potentiometer
		Delay time setting	T/1'/3'/5'/10'/20'/30', T=10 sec. for testing
		Op. humidity	Max. 95% RH
		Op. temperature	-40°C ~ 70°C (-40°F ~ 158°F)
		Dimensions	Ø60 x H37mm (Ø2.36" x H1.45")

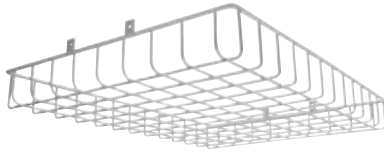
Industrial Linear High Bay



Item Number	Lamp Description	W	Lm	CCT	CRI	Lumen P/W	Dimming	Voltage	Life/Hrs.	UPC	Pack
62-1071	75W – 2 Foot Linear Hi-Bay – 4000K	75	9750	4000K	80	130	0-10V	100-277	50K	045923410710	1
62-1072	100W – 2 Foot Linear Hi-Bay – 4000K	100	13000	4000K	80	130	0-10V	100-277	50K	045923410727	1
62-1073	150W – 2 Foot Linear Hi-Bay – 4000K	150	19500	4000K	80	130	0-10V	100-277	50K	045923410734	1
62-1074	210W – 4 Foot Linear Hi-Bay – 4000K	210	27300	4000K	80	130	0-10V	100-277	50K	045923410741	1
Accessories											
62-1075	2 Foot Linear Hi-Bay Yoke Mount									045923510755	10
62-1076	4 Foot Linear Hi-Bay Yoke Mount									045923510762	5
62-1077	2 Foot Protective Cage Accessory									045923210778	5
62-1078	4 Foot Protective Cage Accessory									045923210785	2
86-201	Occupancy Sensor accessory for LED Hi-Bay Fixture									045923862014	10

Product sheet NU1355

See warranty for details.



Optional Protective Cage
 Item no. 65-498 (2'/800W & 100W)
 Item no. 65-499 (2'/115W)
 Item no. 65-500 (4')



86-211



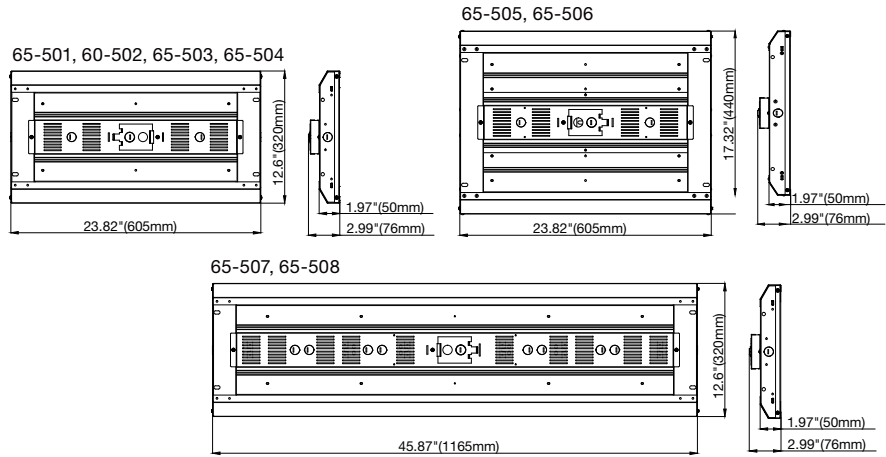
Optional Pendant / Surface Mount Kit
 Item no. 65-497



Linear High Bay

Features

- Broad, even light distribution
- 3KV Surge protection
- IP20 rated
- 48" Chain and suspension
- V-clips included
- Operating temperature -20°C to 45° C
- 5 Year warranty



Linear High Bay



Item Number	Lamp Description	W	Lm	CCT	CRI	Lm P/W	Dimming	Voltage	Life/Hrs.	UPC	Pk.
65-501	2FT Linear High Bay - 80W	80	10400	4000K	80	130	1-10V	120-277	50K	045923535017	1
65-502	2FT Linear High Bay - 80W	80	10400	5000K	80	130	1-10V	120-277	50K	045923682391	1
65-503	2FT Linear High Bay - 110W	110	14300	4000K	80	130	1-10V	120-277	50K	045923535031	1
65-504	2FT Linear High Bay - 110W	110	14300	5000K	80	130	1-10V	120-277	50K	045923682407	1
65-505	2FT Linear High Bay - 165W	165	21450	4000K	80	130	1-10V	120-277	50K	045923535055	1
65-506	2FT Linear High Bay - 165W	165	21450	5000K	80	130	1-10V	120-277	50K	045923682414	1
65-507	4FT Linear High Bay - 225W	225	29250	4000K	80	130	1-10V	120-277	50K	045923535079	1
65-508	4FT Linear High Bay - 225W	225	29250	5000K	80	130	1-10V	120-277	50K	045923682421	1

Accessories											
65-498	2 FT Wire Guard / White	For 80W & 110W size								045923682124	10
65-499	2 FT Wire Guard / White	For 110W size								045923682131	10
65-500	4FT Wire Guard / White	For 225W size								045923655005	10
86-202	Add on microwave sensor / White									045923862021	30
86-211	PIR Sensor - White									045923862113	20
65-497	Pendant/Surface mount kit / White									045923674426	20

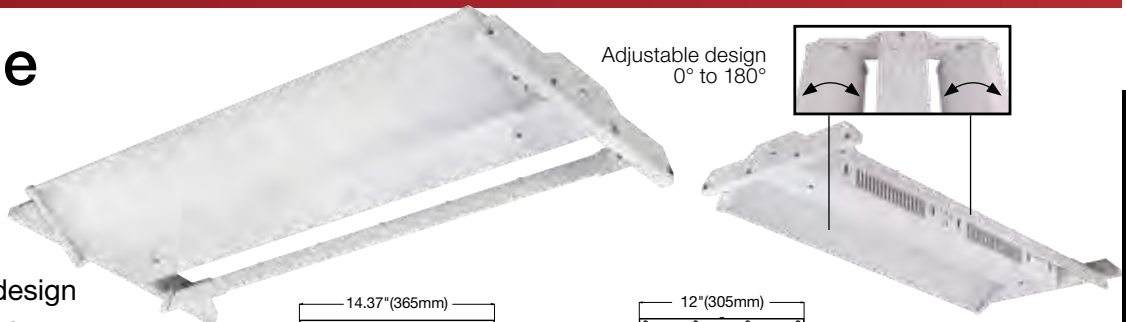
Product sheet NU1519

See warranty for details.

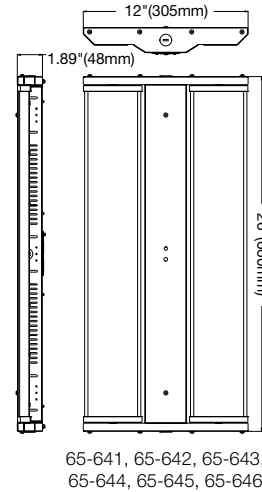
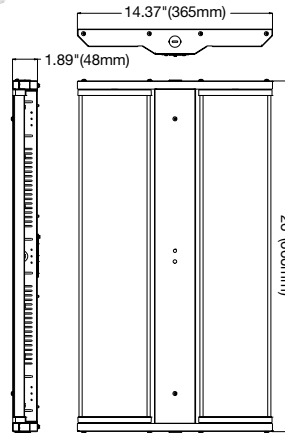
Adjustable Linear High Bay

Features

- Unique adjustable design
- Rugged construction
- White finish
- High impact polycarbonate frosted lens
- Suspension chains included – 40"
- UV stabilized powder coated finish
- Operating temperature -40°C to 50°C
- IP40
- 5 Year warranty



Adjustable design 0° to 180°



Optional Protective Cage (set of 2)
 Item no. 65-652 (110W, 135W & 165W)
 Item no. 65-653 (220W)



86-209
 Battery mode 20W / ~3550Lms



86-210



86-211



65-650



65-651

Adjustable High Bay



Item Number	Lamp Description	W	V	CRI	CCT	Lm	Bm	Life-Hrs	UPC	Pk-Master
65-641	110W LED ADJUSTABLE HIGH BAY	110	120-277V	80	4000	15297	100°	50K	045923674327	2
65-642	110W LED ADJUSTABLE HIGH BAY	110	120-277V	80	5000	15470	100°	50K	045923674334	2
65-643	135W LED ADJUSTABLE HIGH BAY	135	120-277V	80	4000	19562	100°	50K	045923674341	2
65-644	135W LED ADJUSTABLE HIGH BAY	135	120-277V	80	5000	19770	100°	50K	045923674358	2
65-645	165W LED ADJUSTABLE HIGH BAY	165	120-277V	80	4000	22970	100°	50K	045923674365	2
65-646	165W LED ADJUSTABLE HIGH BAY	165	120-277V	80	5000	23223	100°	50K	045923674372	2
65-647	220W LED ADJUSTABLE HIGH BAY	220	120-277V	80	4000	30394	100°	50K	045923674389	2
65-648	220W LED ADJUSTABLE HIGH BAY	220	120-277V	80	5000	30742	100°	50K	045923674396	2
Accessories										
65-650	PENDANT MOUNT KIT ADJUSTABLE HIGH BAY – WHITE								045923656507	20
65-651	SURFACE MOUNT KIT ADJUSTABLE HIGH BAY – WHITE								045923674464	20
86-209	EM BATTERY BACK UP ADJUSTABLE HIGH BAY – WHITE								045923862090	10
86-210	MICROWAVE SENSOR ADJUSTABLE HIGH BAY – WHITE								045923862106	20
86-211	PIR SENSOR – WHITE								045923862113	20
65-652	PROTECTIVE CAGE; 110/135/165W ADJ HIGH BAY – WHITE								045923862113	20
65-653	PROTECTIVE CAGE; 220W ADJ HIGH BAY – WHITE								045923862113	20

See warranty for details.

Product sheet NU1606

UFO High bay

Features

- Black finish
- Rugged construction
- Die cast aluminum alloy body / stainless steel screws
- Impact resistant diffuser
- 6' Whip
- 120° Beam spread
- UV powder coated finish
- 100W, 150W Operating temperature -30°C to 50°C
- 200W Operating temperature -30°C to 40°C
- IP65
- 5 Year warranty



6' Power Supply Cord

UFO High Bay



Item Number	Lamp Description	W	V	HID Equiv.	Finish	Dimensions	CCT	Lm	CRI	Life/Hrs.	UPC
65-181	LED UFO High Bay	100	100-277V	200-250W	Black	9.45"D x 7.32"H	4000K	13000	70+	50,000	45923738104
65-182	LED UFO High Bay	100	100-277V	200-250W	Black	9.45"D x 7.32"H	5000K	13000	70+	50,000	45923738111
65-183	LED UFO High Bay	150	100-277V	300-400W	Black	9.45"D x 7.44"H	4000K	19500	70+	50,000	45923738128
65-184	LED UFO High Bay	150	100-277V	300-400W	Black	9.45"D x 7.44"H	5000K	19500	70+	50,000	45923738135
65-185	LED UFO High Bay	200	100-277V	600W	Black	9.45"D x 7.6"H	4000K	26000	70+	50,000	45923738142
65-186	LED UFO High Bay	200	100-277V	600W	Black	9.45"D x 7.6"H	5000K	26000	70+	50,000	45923738159
65-191	LED UFO High Bay	100	100-277V	200-250W	Black	9.45"D x 7.32"H	4000K	13000	70+	50,000	45923738104
65-192	LED UFO High Bay	100	100-277V	200-250W	Black	9.45"D x 7.32"H	5000K	13000	70+	50,000	45923738111
65-193	LED UFO High Bay	150	100-277V	300-400W	Black	9.45"D x 7.44"H	4000K	19500	70+	50,000	45923738128
65-194	LED UFO High Bay	150	100-277V	300-400W	Black	9.45"D x 7.44"H	5000K	19500	70+	50,000	45923738135
65-195	LED UFO High Bay	200	100-277V	600W	Black	9.45"D x 7.6"H	4000K	26000	70+	50,000	45923738142
65-196	LED UFO High Bay	200	100-277V	600W	Black	9.45"D x 7.6"H	5000K	26000	70+	50,000	45923738159
65-522	LED UFO High Bay	100	277V-480V	200-250W	Black	9.45"D x 7.05"H	5000K	13000	70+	50,000	45923683190
65-524	LED UFO High Bay	15	277V-480V	300-400W	Black	9.45"D x 7.4"H	5000K	19500	70+	50,000	45923683213
65-526	LED UFO High Bay	200	277V-480V	600W	Black	9.45"D x 7.91"H	5000K	26000	70+	50,000	45923683237

Product sheet NU1490-1

See warranty for details.

UFO High bay

OPTIONAL ACCESSORIES



Wire guard, white
(item 65-177)



Pendant adapter
(item 65-180)



Pendant adapter
(3/8" to 3/4" NPT)
(item 65-180)



Yoke mount
(100-150W – item 65-197)
(200W – item 65-198)



Prismatic shade
(item 65-178) and bottom
shade diffuser (item 65-179)



Prismatic shade
(item 65-178)



Bottom shade diffuser
(item 65-179) must be used
with 65-178 shade



IP68 Rated whip, black (item 65-199)
IP68 Rated whip, white (item 65-200)



Anti-glare reflector
(item 65-187)



Carabiner hook
(item 65-190)



60° (Item 65-188)
or 90° (Item 65-189) optic

Features

- 5.5 Ft. length SJTW 18/3
- Waterproof IP68 rated
- Voltage rating 300V
- Current rating 16A
- Operating temperature range -40°C—105°



Microwave sensor – step
down dimming only
(item 86-207)



Microwave sensor – step
down dimming only
(item 86-207)



Microwave
sensor remote
(item 86-208)*

* One Required Per Installation

Accessories

Item Number	Description	UPC	Pack/Mstr.
Accessories			
65-177	Protective wire guard – White	045923674419	5
65-178	Optional Add On Prismatic Shade – must be paired with 65-179 shade	045923683084	5
65-179	Bottom Diffuser (for 65-178)	045923683091	20
65-180	Pendant Adapter (3/8" to 3/4" NPT)	045923683107	20
65-187	Optional Add On Anti-Glare Reflector – Clear Prismatic	045923680137	100
65-188	Optional 60° Replacement Optic – Impact resistant diffuser	045923680144	6
65-189	Optional 90° Replacement Optic – Impact resistant diffuser	045923680151	100
65-190	Carabiner Hook	045923683114	100
65-197	Yoke Mount (100-150W)	045923850011	20
65-198	Yoke Mount (200W)	045923850011	20
65-199	IP68 Rated Connector with 5.5 ft. Whip – Black	045923850011	20
65-200	IP68 Rated Connector with 5.5 ft. Whip – White	045923850011	20
86-207	UFO High Bay Sensor Control	045923850011	20
86-208	Remote (for sensor 86-207)	045923850028	20

Product sheet NU1490-3

See warranty for details.



BLINK® LUXE ~ THE SLEEK, LOW PROFILE FIXTURE THAT REVOLUTIONIZES CLOSE TO CEILING LIGHTING

At the heart of Blink Luxe is the advanced center hub, which contains the internal driver and LED light source that evenly illuminates the panel.



DIMMABLE

DAMP LOCATION

90 CRI ~ 3000K

**ENERGY STAR ~ T24
COMPLIANT**

50,000 HOURS

Blink Luxe LED surface mount illuminates from the center hub rather than the edge, allowing for even light distribution from its ultra slim surface that mounts directly to 3" or 4" junction boxes.

Elegant and functionally designed, the center hub secures the plate to the ceiling and has a decorative cover that matches the fixture's trim for a truly polished look.

Available in matte black, soft white, polished nickel and brushed nickel.

13" and 17" sizes.
Square and round.



See warranty for details.

Blink Luxe surface mount



17" Round
Polished Nickel



17" Square
White Finish



Remove decorative center cap for easy mounting to 3" or 4" j boxes



13" Round
Black Finish



13" Square
Brushed Nickel

SURFACE MOUNT

Blink Luxe Surface Mount



Item Number	Lamp Description	W	V	CRI	CCT	Lm	Finish	Life/Hrs.	Dimensions	UPC	Pack
62-1515	Blink Luxe 13" Round	26	120-277V	90	3000K	1600	White	50K	13" Dia. x 1"H	045923682919	6
62-1516	Blink Luxe 13" Round	26	120-277V	90	3000K	1600	Black	50K	13" Dia. x 1"H	045923682926	6
62-1517	Blink Luxe 13" Round	26	120-277V	90	3000K	1600	Polished Nickel	50K	13" Dia. x 1"H	045923682933	6
62-1518	Blink Luxe 13" Round	26	120-277V	90	3000K	1600	Brushed Nickel	50K	13" Dia. x 1"H	045923682940	6
62-1519	Blink Luxe 13" Square	26	120-277V	90	3000K	1600	White	50K	13"L x 13"W x 1"H	045923682957	6
62-1520	Blink Luxe 13" Square	26	120-277V	90	3000K	1600	Black	50K	13"L x 13"W x 1"H	045923682964	6
62-1521	Blink Luxe 13" Square	26	120-277V	90	3000K	1600	Polished Nickel	50K	13"L x 13"W x 1"H	045923682971	6
62-1522	Blink Luxe 13" Square	26	120-277V	90	3000K	1600	Brushed Nickel	50K	13"L x 13"W x 1"H	045923682988	6
62-1523	Blink Luxe 17" Round	31.5	120-277V	90	3000K	2200	White	50K	17" Dia. x 1"H	045923682995	4
62-1524	Blink Luxe 17" Round	31.5	120-277V	90	3000K	2200	Black	50K	17" Dia. x 1"H	045923683008	4
62-1525	Blink Luxe 17" Round	31.5	120-277V	90	3000K	2200	Polished Nickel	50K	17" Dia. x 1"H	045923683015	4
62-1526	Blink Luxe 17" Round	31.5	120-277V	90	3000K	2200	Brushed Nickel	50K	17" Dia. x 1"H	045923683022	4
62-1527	Blink Luxe 17" Square	31.5	120-277V	90	3000K	2200	White	50K	17"L x 17"W x 1"H	045923683039	4
62-1528	Blink Luxe 17" Square	31.5	120-277V	90	3000K	2200	Black	50K	17"L x 17"W x 1"H	045923683046	4
62-1529	Blink Luxe 17" Square	31.5	120-277V	90	3000K	2200	Polished Nickel	50K	17"L x 17"W x 1"H	045923683053	4
62-1530	Blink Luxe 17" Square	31.5	120-277V	90	3000K	2200	Brushed Nickel	50K	17"L x 17"W x 1"H	045923683060	4

* Consult Satco or visit www.satco.com for an up to date dimmer compatibility list.

Product sheet NU1611

See warranty for details.

1' x 1' and 2' x 2' Blink Plus surface mount

Applications

- Kitchens
- Bathrooms
- Hallways
- Closets
- Meeting rooms
- Hospitality
- Health care
- Offices
- Retail



62-1151

Features

- †Complies with NEC 410.16 (A)(3) and NEC 410.16 (C)(5)
- Dimmable*, 120V only
- White finish
- Ultra-low profile made for j-box installs
- Unique quick-lock mounting bracket
- Mounts directly to 3" and 4" junction boxes
- 100-277V, 50/60Hz
- 5 Year limited warranty



Installation for 2'x2' fixtures is easy using the unique quick-lock mounting bracket.



Quick-lock mounting bracket for all 1'x1' fixtures.

1' x 1' and 2' x 2' Blink Plus Surface Mount



Item Number	Lamp Description	W	Bulb Type	V	Finish	CRI	CCT	Lm	Life/Hrs.	Dimensions	UPC	Pack
80 CRI												
62-1151†	18W/LED/1X1/FLUSH/5K/WH	18	LED	100-277	White	80	5000K	1600	50K	12"L x 12"W x ¾"D	045923511516	6
62-1153	45W/LED/2X2/FLUSH/5K/WH	45	LED	100-277	White	80	5000K	4050	50K	24"L x 24"W x ¾"D	045923511530	2
90 CRI												
62-1051†	18W/LED/1X1/FLUSH/3K/WH	18	LED	100-277	White	90	3000K	1300	50K	12"L x 12"W x ¾"D	045923410512	6
62-1251†	18W/LED/1X1/FLUSH/4K/WH	18	LED	100-277	White	90	4000K	1365	50K	12"L x 12"W x ¾"D	045923512513	6
62-1053	45W/LED/2X2/FLUSH/3K/WH	45	LED	100-277	White	90	3000K	3500	50K	24"L x 24"W x ¾"D	045923410536	2
62-1253	45W/LED/2X2/FLUSH/4K/WH	45	LED	100-277	White	90	4000K	3675	50K	24"L x 24"W x ¾"D	045923512537	2

* Consult Satco or visit www.satco.com for an up to date dimmer compatibility list.

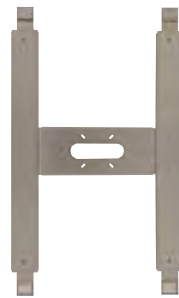
Product sheet SA2030-1

See warranty for details.

1' x 2' Blink Plus surface mount

Applications

- Kitchens
- Bathrooms
- Hallways
- Meeting rooms
- Hospitality
- Health care
- Offices
- Retail



Unique quick-lock mounting bracket

Features

- Dimmable*, 120V only
- White finish
- Ultra-low profile made for j-box installs
- Unique quick-lock mounting bracket
- Mounts directly to 3" and 4" junction boxes
- 100-277V, 50/60Hz
- 5 Year limited warranty

SURFACE MOUNT

1' x 2' Blink Plus Surface Mount



Item Number	Lamp Description	W	Bulb Type	Finish	V	CRI	CCT	Lm	Life/Hrs.	UPC	Pack
80 CRI											
62-1152	22W/LED/1X2/FLUSH/5K/WH	22	LED	White	100-277	80	5000K	1900	50K	045923511523	4
90 CRI											
62-1052	22W/LED/1X2/FLUSH/3K/WH	22	LED	White	100-277	90	3000K	1650	50K	045923410529	4
62-1252	22W/LED/1X2/FLUSH/4K/WH	22	LED	White	100-277	90	4000K	1735	50K	045923512520	4

* Consult Satco or visit www.satco.com for an up to date dimmer compatibility list.

Product sheet SA2030-1

See warranty for details.

1' x 4' Blink Plus surface mount

Applications

- Kitchens
- Bathrooms
- Hallways
- Meeting rooms
- Hospitality
- Health care
- Offices
- Retail



Features

- Dimmable*, 120V only
- White finish
- Ultra-low profile made for j-box installs
- Unique quick-lock mounting bracket
- Mounts directly to 3" and 4" junction boxes
- 100-277V, 50/60Hz
- 5 Year limited warranty



Unique quick-lock mounting bracket

1' x 4' Blink Plus Surface Mount



Item Number	Lamp Description	W	Bulb Type	V	CRI	CCT	Lm	Life/Hrs.	Finish	UPC	Pack
80 CRI											
62-1154	45W/LED/1X4/FLUSH/5K/WH	45	LED	100-277	80	5000K	4050	50K	White	045923511547	2
90 CRI											
62-1054	45W/LED/1X4/FLUSH/3K/WH	45	LED	100-277	90	3000K	3600	50K	White	045923410543	2
62-1254	45W/LED/1X4/FLUSH/4K/WH	45	LED	100-277	90	4000K	3780	50K	White	045923512544	2

* Consult Satco or visit www.satco.com for an up to date dimmer compatibility list.

Blink Plus linear surface mount

Applications

- Kitchens
- Bathrooms
- Hallways
- Closets
- Meeting rooms
- Hospitality
- Health care
- Offices
- Retail

Features

- Complies with NEC 410.16(A)(3) and NEC 410.16(C)(5)
- Dimmable*, 120V only
- White finish
- Ultra-low profile made for j-box installs
- Unique quick-lock mounting bracket
- Mounts directly to 3" and 4" junction boxes
- 100-277V, 50/60Hz
- 5 Year limited warranty



Lengths
24"
36"
48"



Unique quick-lock mounting bracket

SURFACE MOUNT

Blink Plus Linear Surface Mount



Item Number	Lamp Description	W	Bulb Type	Finish	V	CRI	CCT	Lm	Life/Hrs.	UPC	Pack
80 CRI											
62-1155	22W/LED/5.5"X24"/FLUSH/5K/WH	22	LED	White	100-277	80	5000K	1870	50K	045923511554	6
62-1156	30W/LED/5.5"X36"/FLUSH/5K/WH	30	LED	White	100-277	80	5000K	2600	50K	045923511561	4
62-1157	40W/LED/5.5"X48"/FLUSH/5K/WH	40	LED	White	100-277	80	5000K	3300	50K	045923511578	4
90 CRI											
62-1055	22W/LED/5.5"X24"/FLUSH/3K/WH	22	LED	White	100-277	90	3000K	1600	50K	045923410550	6
62-1056	30W/LED/5.5"X36"/FLUSH/3K/WH	30	LED	White	100-277	90	3000K	2100	50K	045923410567	4
62-1057	40W/LED/5.5"X48"/FLUSH/3K/WH	40	LED	White	100-277	90	3000K	2800	50K	045923410574	4
62-1255	22W/LED/5.5"X24"/FLUSH/4K/WH	22	LED	White	100-277	90	4000K	1680	50K	045923512551	6
62-1256	30W/LED/5.5"X36"/FLUSH/4K/WH	30	LED	White	100-277	90	4000K	2205	50K	045923512568	4
62-1257	40W/LED/5.5"X48"/FLUSH/4K/WH	40	LED	White	100-277	90	4000K	2940	50K	045923512575	4

* Consult Satco or visit www.satco.com for an up to date dimmer compatibility list.

Product sheet SA2030-1

See warranty for details.

1' x 1' and 2' x 2' Blink Plus Profile surface mount

Applications

- Kitchens
- Bathrooms
- Hallways
- Meeting rooms
- Hospitality
- Health care
- Offices
- Retail
- Closets

Features

- †Complies with NEC 410.16(A)(3) and NEC 410.16(C)(5)
- Dimmable* 120V only
- Gunmetal, Bronze or White finish
- Ultra-low profile only 1" deep
- Unique quick-lock mounting bracket
- Mounts directly to 3" and 4" junction boxes 100-277V
- 5 Year limited warranty



1'x1', Bronze Finish shown



1'x1', Gunmetal Finish shown



1'x1', White Finish shown



Installation is easy using the unique quick-lock mounting brackets.



Quick-lock mounting bracket for 62-1171 & 62-1181

1' x 1' and 2' x 2' Blink Plus Profile Surface Mount



Item Number	Lamp Description	W	V	CRI	CCT	Lm	Finish	Life/Hrs.	Dimensions	UPC	Pk.
62-1171†	18W/LED/1X1X1/FLUSH/3K	18	100-277V	90	3000K	1300	GUNMETAL	50K	12"L x 12"W x 1"D	045923511714	6
62-1173	45W/LED/2X2X1/FLUSH/3K	45	100-277V	90	3000K	3500	GUNMETAL	50K	24"L x 24"W x 1"D	045923511738	2
62-1181†	18W/LED/1X1X1/FLUSH/3K	18	100-277V	90	3000K	1300	BRONZE	50K	12"L x 12"W x 1"D	045923511813	6
62-1183	45W/LED/2X2X1/FLUSH/3K	45	100-277V	90	3000K	3500	BRONZE	50K	24"L x 24"W x 1"D	045923511837	2
62-1371†	18W/LED/1X1/FLUSH/3K	18	100-277V	90	3000K	1300	WHITE	50K	12"L x 12"W x 1"D	045923713712	6
62-1373	45W/LED/2X2/FLUSH/3K	45	100-277V	90	3000K	3500	WHITE	50K	24"L x 24"W x 1"D	045923713736	2
62-1381†	18W/LED/1X1/FLUSH/4K	18	100-277V	90	4000K	1365	WHITE	50K	12"L x 12"W x 1"D	045923713811	6
62-1383	45W/LED/2X2/FLUSH/4K	45	100-277V	90	4000K	3780	WHITE	50K	24"L x 24"W x 1"D	045923713835	2

* Consult Satco or visit www.satco.com for an up to date dimmer compatibility list.

Product sheet SA2030-1

See warranty for details.

1' x 2' and 1' x 4' Blink Plus Profile surface mount

Applications

- Kitchens
- Bathrooms
- Hallways
- Meeting rooms
- Hospitality
- Health care
- Offices
- Retail

Features

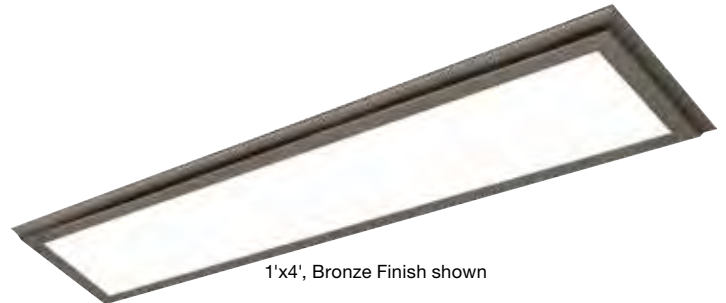
- Dimmable* 120V only
- Gunmetal, Bronze or White finish
- Ultra-low profile only 1" deep
- Unique quick-lock mounting bracket
- Mounts directly to 3" and 4" junction boxes
- 100-277V
- 5 Year limited warranty



1'x2', White finish shown



1'x2', Gunmetal Finish shown



1'x4', Bronze Finish shown



Installation is easy using the unique quick-lock mounting brackets.

SURFACE MOUNT

1' x 2' and 1' x 4' Blink Plus Profile Surface Mount



Item Number	Lamp Description	W	V	CRI	CCT	Lm	Finish	Life/Hrs.	Dimensions	UPC	Pk.
62-1172	22W/LED/1X2X1/FLUSH/3K	22	100-277V	90	3000K	1650	GUNMETAL	50K	12"L x 24"W x 1"D	045923511721	4
62-1174	45W/LED/1X4X1/FLUSH/3K	45	100-277V	90	3000K	3600	GUNMETAL	50K	12"L x 48"W x 1"D	045923511745	2
62-1182	22W/LED/1X2X1/FLUSH/3K	22	100-277V	90	3000K	1650	BRONZE	50K	12"L x 24"W x 1"D	045923511820	4
62-1184	45W/LED/1X4X1/FLUSH/3K	45	100-277V	90	3000K	3600	BRONZE	50K	12"L x 48"W x 1"D	045923511844	2
62-1372	22W/LED/1X2/FLUSH/3K	22	100-277V	90	3000K	1650	WHITE	50K	12"L x 24"W x 1"D	045923713729	4
62-1374	45W/LED/1X4/FLUSH/3K	45	100-277V	90	3000K	3600	WHITE	50K	12"L x 48"W x 1"D	045923713743	2
62-1382	22W/LED/1X2/FLUSH/4K	22	100-277V	90	4000K	1735	WHITE	50K	12"L x 24"W x 1"D	045923713828	4
62-1384	45W/LED/1X4/FLUSH/4K	45	100-277V	90	4000K	3780	WHITE	50K	12"L x 48"W x 1"D	045923713842	2

* Consult Satco or visit www.satco.com for an up to date dimmer compatibility list.

See warranty for details.

Blink Plus Profile linear surface mount

Applications

- Kitchens
- Bathrooms
- Hallways
- Meeting rooms
- Hospitality
- Health care
- Offices
- Retail
- Closets

Features

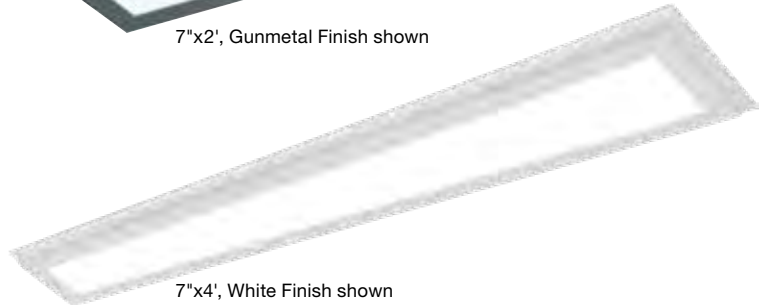
- Complies with NEC 410.16(A)(3) and NEC 410.16(C)(5)
- Dimmable* 120V only
- Gunmetal, Bronze or White finish
- Ultra-low profile only 1" deep
- Unique quick-lock mounting bracket
- Mounts directly to 3" and 4" junction boxes
- 100-277V
- 5 Year limited warranty



7"x2', Bronze Finish shown



7"x2', Gunmetal Finish shown



7"x4', White Finish shown



Installation is easy using the unique quick-lock mounting brackets.

Blink Plus Profile Linear Surface Mount



Item Number	Lamp Description	W	V	CRI	CCT	Lm	Finish	Life/Hrs.	Dimensions	UPC	Pk.
62-1175	22W/LED/7"X25"X1"/FLUSH/3K	22	100-277V	90	3000K	1600	GUNMETAL	50K	25"L x 7"W x 1"D	045923511752	6
62-1176	30W/LED/7"X38"X1"/FLUSH/3K	30	100-277V	90	3000K	2100	GUNMETAL	50K	38"L x 7"W x 1"D	045923511769	4
62-1177	40W/LED/7"X49"X1"/FLUSH/3K	40	100-277V	90	3000K	2800	GUNMETAL	50K	49"L x 7"W x 1"D	045923511776	4
62-1185	22W/LED/7"X25"X1"/FLUSH/3K	22	100-277V	90	3000K	1600	BRONZE	50K	25"L x 7"W x 1"D	045923511851	6
62-1186	30W/LED/7"X38"X1"/FLUSH/3K	30	100-277V	90	3000K	2100	BRONZE	50K	38"L x 7"W x 1"D	045923511868	4
62-1187	40W/LED/7"X49"X1"/FLUSH/3K	40	100-277V	90	3000K	2800	BRONZE	50K	49"L x 7"W x 1"D	045923511875	4
62-1375	22W/LED/7"X25"/FLUSH/3K	22	100-277V	90	3000K	1600	WHITE	50K	25"L x 7"W x 1"D	045923713750	6
62-1376	30W/LED/7"X38"/FLUSH/3K	30	100-277V	90	3000K	2100	WHITE	50K	38"L x 7"W x 1"D	045923713767	4
62-1377	40W/LED/7"X49"/FLUSH/3K	40	100-277V	90	3000K	2800	WHITE	50K	49"L x 7"W x 1"D	045923713774	4
62-1385	22W/LED/7"X25"/FLUSH/4K	22	100-277V	90	4000K	1680	WHITE	50K	25"L x 7"W x 1"D	045923713859	6
62-1386	30W/LED/7"X38"/FLUSH/4K	30	100-277V	90	4000K	2205	WHITE	50K	38"L x 7"W x 1"D	045923713866	4
62-1387	40W/LED/7"X49"/FLUSH/4K	40	100-277V	90	4000K	2940	WHITE	50K	49"L x 7"W x 1"D	045923713873	4

* Consult Satco or visit www.satco.com for an up to date dimmer compatibility list.



FLUSH MOUNT

See warranty for details.

Blink Plus 15" and 19" surface mount



62-1191



62-1192



Quick-lock mounting bracket
for Blink Plus 15" & 19" fixtures

Applications

- Kitchens
- Bathrooms
- Hallways
- Meeting rooms
- Hospitality
- Health care
- Offices
- Retail

Features

- Dimmable, 120V only*
- White finish
- Ultra-low profile only 1" deep
- Unique quick-lock mounting bracket
- Mounts directly to 3" and 4" junction boxes
- 120-277V, 50/60Hz
- 5 Year limited warranty

Blink Plus 15" & 19" Surface Mount



Item Number	Lamp Description	W	V	CRI	CCT	Lm	Finish	Life/Hrs.	Dimensions	UPC	Pack/Mstr.
62-1191	26W/LED/15" RND/FLUSH/3K/WH	26	120-277	90	3000K	2000	White	50K	15"Dia. x 1"D	045923511912	4
62-1291	26W/LED/15" RND/FLUSH/4K/WH	26	120-277	90	4000K	2100	White	50K	15"Dia. x 1"D	045923512919	4
62-1192	30W/LED/19" RND/FLUSH/3K/WH	30	120-277	90	3000K	2400	White	50K	19"Dia. x 1"D	045923511929	4
62-1292	30W/LED/19" RND/FLUSH/4K/WH	30	120-277	90	4000K	2520	White	50K	19"Dia. x 1"D	045923512926	4
Accessories											
62-1294	BLINK 15" PEND SUSPENSION KIT	12' Wire		3x12' Suspension cables					045923512940	6	
62-1295	BLINK 19" PEND SUSPENSION KIT	12' Wire		3x12' Suspension cables					045923512957	6	

* Consult Satco or visit www.satco.com for an up to date dimmer compatibility list.

Blink Plus 15" and 19" suspension kits

Features

- For use with Blink Plus 15" and 19" round LED fixtures
- White finish
- Includes 12' of wire
- Includes (3) 12' suspension cables
- Fixtures not included



62-1294
15" Suspension Kit
(Fixture sold separately)



62-1295
19" Suspension Kit
(Fixture sold separately)

FLUSH MOUNT

Blink Plus 15" & 19" Suspension Kits

Item Number	Lamp Description	V			UPC	Pack/ Master
62-1294	BLINK 15" PEND SUSPENSION KIT	120	12' Wire	3x12' Suspension cables	045923512940	12
62-1295	BLINK 19" PEND SUSPENSION KIT	120	12' Wire	3x12' Suspension cables	045923512957	12

NOTE: Fixtures sold separately

Product sheet SA2030-1

See warranty for details.

5.5" Round Blink

Applications

- Kitchens
- Bathrooms
- Hallways
- Closets
- Family rooms
- Offices

Features

- Complies with NEC 410.16 (A)(3) and NEC 410.16 (C)(5)
- Dimmable*
- Available in White, Brushed Nickel, Bronze and Black
- Mounts directly to 3" and 4" junction boxes
- 5 Year limited warranty



White



Black



Brushed Nickel



Bronze



Polished Chrome



5.5" Round Blink

Item Number	Lamp Description	W	V	Finish	CRI	CCT	Lm	Bm	M.O.L. (Inches)	Life/ Hrs.	UPC	Pack/ Mstr.
S29320†	10.5W/LED/5.5" FLUSH/27K/RD/WH	10.5	120	White	90	2700K	580	108°	1"	50K	045923293207	12
S29321†	10.5W/LED/5.5" FLUSH/27K/RD/BN	10.5	120	Br. Nickel	90	2700K	580	108°	1"	50K	045923293214	12
S29322†	10.5W/LED/5.5" FLUSH/27K/RD/BRZ	10.5	120	Bronze	90	2700K	580	108°	1"	50K	045923293221	12
S29323†	10.5W/LED/5.5" FLUSH/30K/RD/WH†	10.5	120	White	90	3000K	600	108°	1"	50K	045923293238	12
S29359†	10W/LED/5.5" FLUSH/30K/RD/BN	10.5	120	Br. Nickel	90	3000K	600	108°	1"	50K	045923293597	12
S21500†	10.5W/LED/5.5" FLUSH/30K/RD/BRZ	10.5	120	Bronze	90	3000K	600	108°	1"	50K	045923205002	12
S21525†	10.5W/LED/5.5" FLUSH/30K/RD/PC	10.5	120	Pol. Chrome	90	3000K	600	108°	1"	50K	045923215254	12
S21526†	10.5W/LED/5.5" FLUSH/30K/RD/BK	10.5	120	Black	90	3000K	600	108°	1"	50K	045923215261	12
S21501†	10.5W/LED/5.5" FLUSH/40K/RD/WH	10.5	120	White	90	4000K	600	108°	1"	50K	045923205019	12
S21502	10.5W/LED/5.5" FLUSH/50K/RD/WH	10.5	120	White	80	5000K	600	108°	1"	50K	045923205026	12
S21518	10.5W/LED/5.5" FLUSH/50K/RD/BN	10.5	120	Br. Nickel	80	5000K	720	108°	1"	50K	045923215186	12

* Consult Satco or visit www.satco.com for an up to date dimmer compatibility list.

5.5" Square Blink

Applications

- Kitchens
- Bathrooms
- Hallways
- Closets
- Family rooms
- Offices

Features

- Complies with NEC 410.16 (A)(3) and NEC 410.16 (C)(5)
- Dimmable*
- Available in White, Brushed Nickel, Bronze and Black
- Mounts directly to 3" and 4" junction boxes
- 5 Year limited warranty



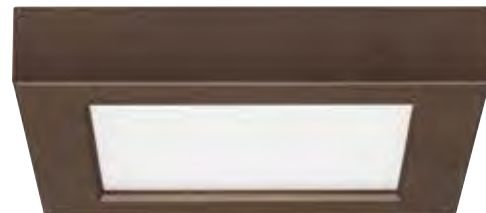
White



Black



Brushed Nickel



Bronze

5.5" Square Blink



Item Number	Lamp Description	W	V	Finish	CRI	CCT	Lm	Bm	M.O.L. (Inches)	Life/ Hrs.	UPC	Pack/ Mstr.
S29324†	10.5W/LED/5.5"FLUSH/27K/SQ/WH	10.5	120	White	90	2700K	580	108°	1"	50K	045923293245	12
S29325†	10.5W/LED/5.5"FLUSH/27K/SQ/BN	10.5	120	Br. Nickel	90	2700K	580	108°	1"	50K	045923293252	12
S29326†	10.5W/LED/5.5"FLUSH/27K/SQ/BRZ	10.5	120	Bronze	90	2700K	580	108°	1"	50K	045923293269	12
S29327†	10.5W/LED/5.5"FLUSH/30K/SQ/WH	10.5	120	White	90	3000K	600	108°	1"	50K	045923293276	12
S21503†	10.5W/LED/5.5"FLUSH/30K/SQ/BN	10.5	120	Br. Nickel	90	3000K	600	108°	1"	50K	045923205033	12
S21504†	10.5W/LED/5.5"FLUSH/30K/SQ/BRZ	10.5	120	Bronze	90	3000K	600	108°	1"	50K	045923205040	12
S21537†	10.5W/LED/5.5"FLUSH/30K/SQ/BK	10.5	120	Black	90	3000K	600	108°	1"	50K	045923215377	12
S21505†	10.5W/LED/5.5"FLUSH/40K/SQ/WH	10.5	120	White	90	4000K	600	108°	1"	50K	045923275050	12
S21506	10.5W/LED/5.5"FLUSH/50K/SQ/WH	10.5	120	White	80	5000K	600	108°	1"	50K	045923215063	12
S21519	10.5W/LED/5.5"FLUSH/50K/SQ/BN	10.5	120	Br. Nickel	80	5000K	700	108°	1"	50K	045923215193	12

* Consult Satco or visit www.satco.com for an up to date dimmer compatibility list.
See warranty for details.

7" Round Blink

Applications

- Kitchens
- Bathrooms
- Closets
- Hallways
- Family rooms
- Offices

Features

- Complies with NEC 410.16 (A)(3) and NEC 410.16 (C)(5)
- Dimmable*, 120V only
- Available in White, Brushed Nickel, Bronze and Black
- Mounts directly to 3" and 4" junction boxes
- 5 Year limited warranty



White



Black



Brushed Nickel



Bronze



Polished Chrome



7" Round Blink

Item Number	Lamp Description	W	V	Finish	CRI	CCT	Lm	Bm	M.O.L. (Inches)	Life/Hrs.	UPC	Pack/Mstr.
S29328†	13.5W/LED/7FLUSH/27K/RD/WH	13.5	120	White	90	2700K	800	108°	1"	50K	045923293283	12
S29329†	13.5W/LED/7FLUSH/27K/RD/BN	13.5	120	Br. Nickel	90	2700K	800	108°	1"	50K	045923293290	12
S29330†	13.5W/LED/7FLUSH/27K/RD/BRZ	13.5	120	Bronze	90	2700K	800	108°	1"	50K	045923293306	12
S29331†	13.5W/LED/7FLUSH/30K/RD/WH	13.5	120	White	90	3000K	820	108°	1"	50K	045923293313	12
S29349†	13.5W/LED/7FLUSH/30K/RD/BN	13.5	120	Br. Nickel	90	3000K	820	108°	1"	50K	045923293498	12
S21507†	13.5W/LED/7"FLUSH/30K/RD/BRZ	13.5	120	Bronze	90	3000K	820	108°	1"	50K	045923205071	12
S21527†	13.5W/LED/7"FLUSH/30K/RD/PC	13.5	120	Pol. Chrome	90	3000K	820	108°	1"	50K	045923215278	12
S21528†	13.5W/LED/7"FLUSH/30K/RD/BK	13.5	120	Black	90	3000K	820	108°	1"	50K	045923215285	12
S29655†	13.5W/LED/7FLUSH/40K/RD/WH	13.5	120	White	90	4000K	820	108°	1"	50K	045923296550	12
S29360	13.5W/LED/7FLUSH/50K/RD/WH	13.5	120	White	80	5000K	900	108°	1"	50K	045923293603	12
S21520	13.5W/LED/7"FLUSH/50K/RD/BN	13.5	120	Br. Nickel	80	5000K	900	108°	1"	50K	045923215209	12

0-10V Dimming

S29367†	13.5W/LED/7FLUSH/30K/RD/WH/0-10VD	13.5	120	White	90	3000K	820	108°	1"	50K	045923293672	12
S21508†	13.5W/LED/7"40K/RD/WH/0-10VD	13.5	120	White	90	4000K	820	108°	1"	50K	045923205088	12
277V												
S29357†	13.5W/LED/7"FLUSH/30K/RD/WH/277V	13.5	277	White	90	3000K	820	108°	1"	50K	045923293573	12

* Consult Satco or visit www.satco.com for an up to date dimmer compatibility list.

7" Square Blink

Applications

- Kitchens
- Bathrooms
- Hallways
- Closets
- Family rooms
- Offices

Features

- Complies with NEC 410.16 (A)(3) and NEC 410.16 (C)(5)
- Dimmable*
- Available in White, Brushed Nickel, Bronze and Black
- Mounts directly to 3" and 4" junction boxes
- 5 Year limited warranty



White



Black



Brushed Nickel



Bronze



7" Square Blink

Item Number	Lamp Description	W	V	Finish	CRI	CCT	Lm	Bm	M.O.L. (Inches)	Life/Hrs.	UPC	Pack/Mstr.
S29332†	13.5W/LED/7FLUSH/27K/SQ/WH	13.5	120	White	90	2700K	780	108°	1"	50K	045923293320	12
S29333†	13.5W/LED/7FLUSH/27K/SQ/BN	13.5	120	Br. Nickel	90	2700K	780	108°	1"	50K	045923293337	12
S29334†	13.5W/LED/7FLUSH/27K/SQ/BRZ	13.5	120	Bronze	90	2700K	780	108°	1"	50K	045923293344	12
S29335*†	13.5W/LED/7FLUSH/30K/SQ/WH	13.5	120	White	90	3000K	800	108°	1"	50K	045923293351	12
S21509†	13.5W/LED/7"FLUSH/30K/SQ/BN	13.5	120	Br. Nickel	90	3000K	800	108°	1"	50K	045923205095	12
S21510†	13.5W/LED/7"FLUSH/30K/SQ/BRZ	13.5	120	Bronze	90	3000K	800	108°	1"	50K	045923205101	12
S21538†	13.5W/LED/7"FLUSH/30K/SQ/BK	13.5	120	Black	90	3000K	800	108°	1"	50K	045923215384	12
S21511†	13.5W/LED/7"FLUSH/40K/SQ/WH	13.5	120	White	90	4000K	800	108°	1"	50K	045923205118	12
S29361	13.5W/LED/7FLUSH/50K/SQ/WH	13.5	120	White	80	5000K	880	108°	1"	50K	045923293610	12
S21521	13.5W/LED/7FLUSH/50K/SQ/WH	13.5	120	White	80	5000K	880	108°	1"	50K	045923215216	12

* Consult Satco or visit www.satco.com for an up to date dimmer compatibility list.

See warranty for details.

9" Round Blink

Applications

- Kitchens
- Bathrooms
- Hallways
- Family rooms
- Offices

Features

- Dimmable*, 120V only
- Available in White, Brushed Nickel, Bronze and Black
- Mounts directly to 3" and 4" junction boxes
- 5 Year limited warranty



9" Round Blink



Item Number	Lamp Description	W	V	Finish	CRI	CCT	Lm	Bm	M.O.L. (Inches)	Life/Hrs.	UPC	Pack/Mstr.
S29336†	18.5W/LED/9FLUSH/27K/RD/WH	18.5	120	White	90	2700K	1150	108°	1"	50K	045923293368	12
S29337†	18.5W/LED/9FLUSH/27K/RD/BN	18.5	120	Br. Nickel	90	2700K	1150	108°	1"	50K	045923293375	12
S29338†	18.5W/LED/9FLUSH/27K/RD/BRZ	18.5	120	Bronze	90	2700K	1150	108°	1"	50K	045923293382	12
S29339†	18.5W/LED/9FLUSH/30K/RD/WH	18.5	120	White	90	3000K	1200	108°	1"	50K	045923293399	12
S29379†	18.5W/LED/9FLUSH/30K/RD/BN	18.5	120	Br. Nickel	90	3000K	1200	108°	1"	50K	045923293795	12
S21512†	18.5W/LED/9"FLUSH/30K/RD/BRZ	18.5	120	Bronze	90	3000K	1200	108°	1"	50K	045923205125	12
S21529†	18.5W/LED/9"FLUSH/30K/RD/PC	18.5	120	Pol. Chrome	90	3000K	1200	108°	1"	50K	045923215292	12
S21530†	18.5W/LED/9"FLUSH/30K/RD/BK	18.5	120	Black	90	3000K	1200	108°	1"	50K	045923215308	12
S29690†	18.5W/LED/9FLUSH/40K/RD/WH	18.5	120	White	90	4000K	1200	108°	1"	50K	045923296901	12
S29362	18.5W/LED/9FLUSH/50K/RD/WH	18.5	120	White	80	5000K	1300	108°	1"	50K	045923293627	12
S21522	18.5W/LED/9"FLUSH/50K/RD/BN	18.5	120	Br. Nickel	80	5000K	1400	108°	1"	50K	045923215223	12

0-10V, 90 CRI

S21513†	18.5W/LED/9"/30K/RD/WH/0-10VD	18.5	120	White	90	3000K	1200	108°	1"	50K	045923205132	12
S21514†	18.5W/LED/9"/40K/RD/WH/0-10VD	18.5	120	White	90	4000K	1300	108°	1"	50K	045923205149	12
277V												
S29358†	18.5W/LED/9"FLUSH/30K/RD/WH/277V	18.5	277	White	90	3000K	1200	108°	1"	50K	045923293580	12

* Consult Satco or visit www.satco.com for an up to date dimmer compatibility list.

9" Square Blink

Applications

- Kitchens
- Bathrooms
- Hallways
- Family rooms
- Offices

Features

- Dimmable*
- Available in White, Brushed Nickel, Bronze and Black
- Mounts directly to 3" and 4" junction boxes
- 5 Year limited warranty



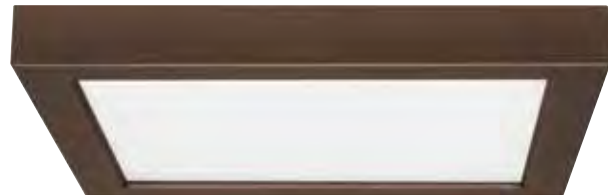
White



Black



Brushed Nickel



Bronze



9" Square Blink

Item Number	Lamp Description	W	V	Finish	CRI	CCT	Lm	Bm	M.O.L. (Inches)	Life/Hrs.	UPC	Pack/Mstr.
S29340†	18.5W/LED/9FLUSH/27K/SQ/WH	18.5	120	White	90	2700K	1100	108°	1"	50K	045923293405	12
S29341†	18.5W/LED/9FLUSH/27K/SQ/BN	18.5	120	Br. Nickel	90	2700K	1100	108°	1"	50K	045923293412	12
S29342†	18.5W/LED/9FLUSH/27K/SQ/BRZ	18.5	120	Bronze	90	2700K	1100	108°	1"	50K	045923293429	12
S29343†	18.5W/LED/9FLUSH/30K/SQ/WH	18.5	120	White	90	3000K	1150	108°	1"	50K	045923293436	12
S21515†	18.5W/LED/9"FLUSH/30K/SQ/BN	18.5	120	Br. Nickel	90	3000K	1150	108°	1"	50K	045923215155	12
S21516†	18.5W/LED/9"FLUSH/30K/SQ/BRZ	18.5	120	Bronze	90	3000K	1150	108°	1"	50K	045923215162	12
S21539†	18.5W/LED/9"FLUSH/30K/SQ/BK	18.5	120	Black	90	3000K	1150	108°	1"	50K	045923215391	12
S21517†	18.5W/LED/9"FLUSH/40K/SQ/WH	18.5	120	White	90	4000K	1200	108°	1"	50K	045923215179	12
S29363	18.5W/LED/9FLUSH/50K/SQ/WH	18.5	120	White	80	5000K	1350	108°	1"	50K	045923293634	12

* Consult Satco or visit www.satco.com for an up to date dimmer compatibility list.

Product sheet SA2030-1

See warranty for details.

13" Round Blink

Applications

- Kitchens
- Bathrooms
- Hallways
- Family rooms
- Offices

Features

- Dimmable*
- Available in White, Brushed Nickel and Bronze
- Mounts directly to 3" and 4" junction boxes
- 5 Year limited warranty



White



Black



Brushed Nickel



Bronze



Installation is easy using the twist & lock mounting bracket.

13" Round Blink



Item Number	Lamp Description	W	V	Finish	CRI	CCT	Lm	Bm	M.O.L. (Inches)	Life/ Hrs.	UPC	Pack/ Mstr.
S29650	25W/LED/13FLUSH/30K/RD/WH	25	120	White	90	3000K	1500	108°	1"	50K	045923296505	4
S29651	25W/LED/13FLUSH/30K/RD/BN	25	120	Br. Nickel	90	3000K	1500	108°	1"	50K	045923296512	4
S21541	25W/LED/13"FLUSH/30K/RD/BLK	25	120	Black	90	3000K	1500	108°	1"	50K	045923115417	4
S29652	25W/LED/13FLUSH/30K/RD/BRZ	25	120	Bronze	90	3000K	1500	108°	1"	50K	045923296529	4
S29691	25W/LED/13FLUSH/40K/RD/W	25	120	White	90	4000K	1800	108°	1"	40K	045923096914	4

* Consult Satco or visit www.satco.com for an up to date dimmer compatibility list.

6" and 8" Blink "Eco"

Applications

- Kitchens
- Bathrooms
- Hallways
- Family rooms
- Offices

Features

- Lightweight polycarbonate housing
- Dimmable**
- Available in White, 3000K
- 6" and 8" options
- Mounts directly to 3" and 4" junction boxes
- 5 Year limited warranty



S9880
6" White Finish shown

FLUSH MOUNT

6" and 8" Blink "Eco"



Item Number	Lamp Description	W	V	Finish	CRI	CCT	Lm	M.O.L. (Inches)	Life/ Hrs.	UPC	Pack/ Mstr.
S9880	12.5W/LED/6"FLUSH/3K/ECO	12.5	120	White	90	3000K	690	1"	50K	045923098802	12
S9881	16.5W/LED/8"FLUSH/3K/ECO	16.5	120	White	90	3000K	940	1"	50K	045923098819	12

* Consult Satco or visit www.satco.com for an up to date dimmer compatibility list.

See warranty for details.

7" and 9" Blink "Slim"

New ultra-thin 5/8" edge lit flush mount fixture

Applications

- Kitchens
- Bathrooms
- Hallways
- Family rooms
- Offices

Features

- Dimmable*, 120V only
- Available in White, Brushed Nickel, Polished Nickel and Bronze
- Mounts directly to 3" and 4" junction boxes
- 120/277V, 50/60Hz
- 5 Year limited warranty



S9883
7" Brushed Nickel Finish shown



S9889
9" Bronze Finish shown

7" and 9" Blink Slim



Item Number	Lamp Description	W	V	Finish	CRI	CCT	Lm	M.O.L. (Inches)	Life/Hrs.	UPC	Pack/Mstr.
Blink Slim 7"											
S9882	12W/LED/7"FLUSH/3K/WH/SL	12	120-277	White	90	3000K	960	½"	50K	045923098826	12
S9883	12W/LED/7"FLUSH/3K/BN/SL	12	120-277	Br. Nickel	90	3000K	960	½"	50K	045923098833	12
S9884	12W/LED/7"FLUSH/3K/PN/SL	12	120-277	Pol. Nickel	90	3000K	960	½"	50K	045923098840	12
S9885*	12W/LED/7"FLUSH/3K/BRZ/SL	12	120-277	Bronze	90	3000K	960	½"	50K	045923098857	12
Blink Slim 9"											
S9886	16W/LED/9"FLUSH/3K/WH/SL	16	120-277	White	90	3000K	1300	½"	50K	045923098864	12
S9887	16W/LED/9"FLUSH/3K/BN/SL	16	120-277	Br. Nickel	90	3000K	1300	½"	50K	045923098871	12
S9888	16W/LED/9"FLUSH/3K/PN/SL	16	120-277	Pol. Nickel	90	3000K	1300	½"	50K	045923098888	12
S9889	16W/LED/9"FLUSH/3K/BRZ/SL	16	120-277	Bronze	90	3000K	1300	½"	50K	045923098895	12

* Consult Satco or visit www.satco.com for an up to date dimmer compatibility list.

Blink accessory Slim 7" and 9" pendant kits

Blink LED Slim fixtures sold separately

Applications / Features

For use with Blink Slim 7" & 9" round LED fixtures
White, Bronze, Brushed Nickel or Polished Nickel
finishes

Fixtures not included

Kit includes pendant, ceiling canopy, 12' cord and
all necessary mounting hardware.



Blink Accessory Slim 7" & 9" Pendant Kits

Item Number	Description	V	Finish	Use With	Cord Length	UPC	Pack
62-1301	BLINK SLIM 7" PENDANT KIT	120	White	S9882	12'	045923513015	12
62-1302	BLINK SLIM 9" PENDANT KIT	120	White	S9886	12'	045923513022	12
62-1303	BLINK SLIM 7" PENDANT KIT	120	Bronze	S9885	12'	045923513039	12
62-1304	BLINK SLIM 9" PENDANT KIT	120	Bronze	S9889	12'	045923513046	12
62-1305	BLINK SLIM 7" PENDANT KIT	120	Brushed Nickel	S9883	12'	045923513053	12
62-1306	BLINK SLIM 9" PENDANT KIT	120	Brushed Nickel	S9887	12'	045923513060	12
62-1307	BLINK SLIM 7" PENDANT KIT	120	Polished Nickel	S9884	12'	045923513077	12
62-1308	BLINK SLIM 9" PENDANT KIT	120	Polished Nickel	S9888	12'	045923513084	12

See warranty for details.

FLUSH MOUNT

5" x 18" and 7" x 18" Blink rectangular

Applications

- Kitchens
- Bathrooms
- Hallways
- Closets
- Meeting rooms
- Hospitality
- Health care
- Offices
- Retail



S9368



S9369

Features

- Complies with NEC 410.16(A)(3) and NEC 410.16(C)(5)
- Dimmable*
- 5 Year limited warranty



5" x 18" Blink Rectangular

Item Number	Lamp Description	W	Bulb Type	Finish	V	CRI	CCT	Lm	Life/Hrs.	UPC	Pack
S9368	16W/LED/18"/FLUSH/30K/90CRI/REC	16	LED	White	120	90	3000K	950	40K	045923093685	6

7" x 18" Blink Rectangular

S9369	24W/LED/18"/FLUSH/30K/90CRI/REC	24	LED	White	120	90	3000K	1300	40K	045923093692	6
-------	---------------------------------	----	-----	-------	-----	----	-------	------	-----	--------------	---

* Consult Satco or visit www.satco.com for an up to date dimmer compatibility list.

Blink 7" battery backup modules

Features

- 24 hour recharge time
- 90 minute operation from battery
- Switching time: < 1 second
- Over-charge / discharge protection
- Self-checking function
- Test button
- Fixtures sold separately



S29344, S29346

Battery backup module



S29345, S29347



S21535, S21536



S29653, S29654

Blink 7" Round Battery Backup Modules

Item Number	Description	UPC	Pack/ Mstr.
S29344	7" Round Battery Back Up - White	045923293443	12
S29346	7" Round Battery Back Up - Empty Casing* - White	045923293467	12
S29653	7" Round Battery Backup - Brushed Nickel	045923296536	12
S29654	7" Round Battery Backup - Empty Casing* - Brushed Nickel	045923296543	12
S21533	7" Round Battery Backup - Black	045923215339	12
S21534	7" Round Battery Backup - Empty Casing* - Black	045923215346	12

Blink 7" Square Battery Backup Modules

S29345	7" Square Battery Backup - White	045923293450	12
S29347	7" Square Battery Backup - Empty Casing* - White	045923293474	12
S21535	7" Square Battery Backup - Black	045923215353	12
S21536	7" Square Battery Backup - Empty Casing* - Black	045923215360	12

Accessories

25-9002	Replacement Battery - 3 Pack Wrapped Batteries	045923250927	48
---------	--	--------------	----

Battery backup module and Blink fixture sold separately. * Used to maintain consistent appearance with Blinks utilizing the battery back up.

Product sheet SA2030-1

See warranty for details.

FLUSH MOUNT

Blink 9" battery backup modules

Features

- 24 hour recharge time
- 90 minute operation from battery
- Switching time: < 1 second
- Over-charge / discharge protection
- Self-checking function
- Test button
- Fixtures sold separately



S29656, S29657



S29658, S29659

Blink 9" Round Battery Backup Module

Item Number	Description	UPC	Pack
S29656	9" Round Battery Backup - White	045923096563	12
S29657	9" Round Battery Backup - Empty Casing* - White	045923096570	12

Blink 9" Square Battery Backup Module

S29658	9" Square Battery Backup - White	045923096587	12
S29659	9" Square Battery Backup - Empty Casing* - White	045923096594	12

Accessories

25-9002	Replacement Battery - 3 Pack Wrapped Batteries	045923250927	48
---------	--	--------------	----

Battery backup module and Blink fixture sold separately. *Used to maintain consistent appearance with Blinks utilizing the battery backup.

Product sheet SA2030-1

See warranty for details.



See warranty for details.

LED indoor utility fixtures that get the job done.

Even the most mundane spaces in the home or commercial space need to be safely lit. But this doesn't mean that efficiency and decor should suffer. Nuvo utility and basic LED ceiling and wall fixtures are perfect for baths, hallways, stairwells, work and laundry rooms, offices, closets—even kitchens and baths—can now be safely and efficiently lit with these stylish, yet simple, fixtures. And for added safety and security, our emergency battery backup ready line delivers Efficient LED light when it's needed most.

And look good doing it.

See warranty for details.

Wraps

Applications

- Kitchens
- Work areas
- Hallways
- Laundry
- Closets

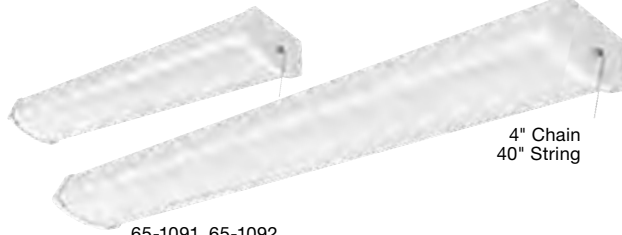
Features

- Complies with NEC 410.16(A)(3) and NEC 410.16(C)(5)
- 2' and 4' Lengths
- With or without pull chain or sensor
- Mounts directly to junction box or can be internally wired using built-in junction box
- Maintenance free—no bulb to change
- Perfect, even light distribution
- 90 CRI
- Slim design
- 50,000 hour life
- Operating temperature -20°C to 40°C
- Universal input voltage, 100-277V (Pull chain 120V only) 50/60Hz
- 3000K & 4000K options
- Certified for damp locations
- ENERGY STAR certified
- 5 Year warranty



65-1081, 65-1082, 65-1083, 65-1084

Built-in junction box - All models



65-1091, 65-1092

4" Chain
40" String



65-1095, 65-1096, 65-1097, 65-1098

Motion sensor

PIR Sensor specifications:
 (Ceiling mounted installation - ceiling height 2.2-4m / 7'-13')
 Detection Distance: 4-6m / 13'-20'
 No Detection Shut Off Time: 70 Seconds

Wraps



Item Number	Lamp Description	W	V	CRI	CCT	Lm	Efficiency (LM/W)	Life/Hrs.	UPC	Pack
65-1081	2FT LED Ceiling Wrap Fixture	20	100-277	90	4000K	1600	80	50K	045923510816	4
65-1082	4FT LED Ceiling Wrap Fixture	40	100-277	90	4000K	3200	80	50K	045923510823	4
65-1083	2FT LED Ceiling Wrap Fixture	20	100-277	90	3000K	1600	80	50K	045923510830	4
65-1084	4FT LED Ceiling Wrap Fixture	40	100-277	90	3000K	3200	80	50K	045923510847	4

Wraps with On/Off Pull Chain

65-1091	2FT LED Ceiling Wrap Fixture with on/off pull chain	20	120	90	3000K	1600	80	50K	045923670916	4
65-1092	4FT LED Ceiling Wrap Fixture with on/off pull chain	40	120	90	3000K	3200	80	50K	045923670923	4

Wraps with Motion Sensor

65-1095	2FT LED Ceiling Wrap Fixture w/Motion sensor	20	100-277	90	3000K	1600	80	50K	045923670954	4
65-1096	4FT LED Ceiling Wrap Fixture w/Motion sensor	40	100-277	90	3000K	3200	80	50K	045923670961	4
65-1097	2FT LED Ceiling Wrap Fixture w/Motion sensor	20	100-277	90	4000K	1600	80	50K	045923670978	4
65-1098	4FT LED Ceiling Wrap Fixture w/Motion sensor	40	100-277	90	4000K	3200	80	50K	045923670985	4

† Complies with NEC Code 410.16

See warranty for details.

Strips

Applications

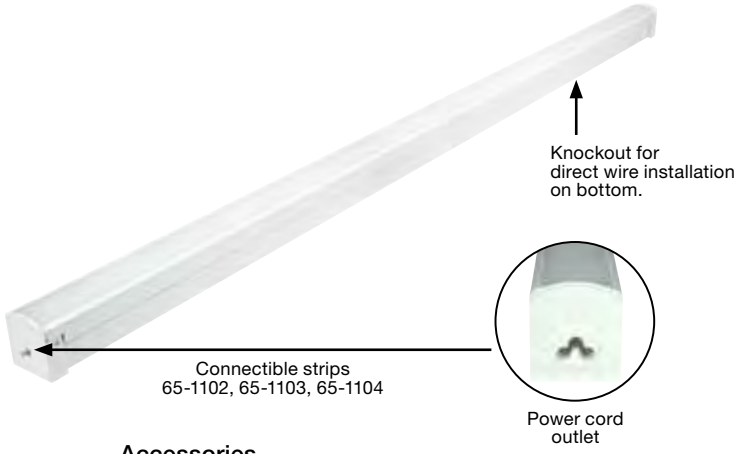
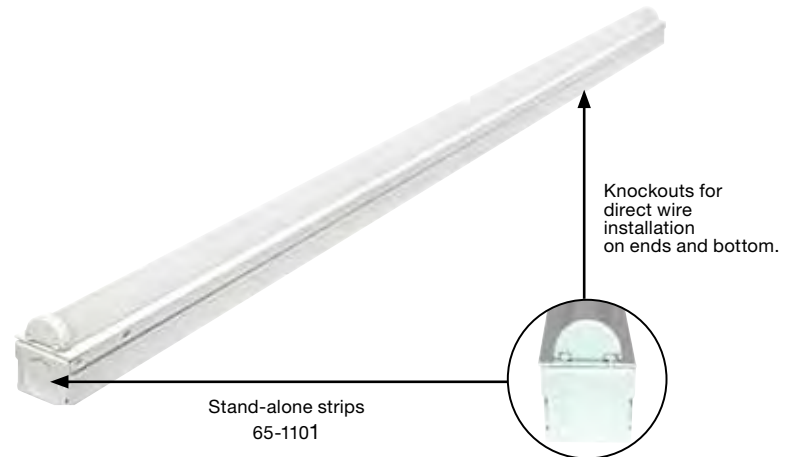
- Bathrooms
- Kitchen
- Work areas
- Hallways
- Retail

Features

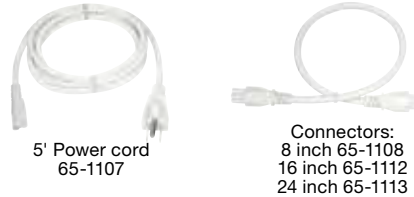
- 4' Stand-alone and **NEW** 2' stand-alone model
- 2' and 4' stand-alone strip complies with NEC 410.16 (A)(3) and NEC 410.16 (C)(5)
- 1', 2', and 4' Connectible models
- Ceiling or wall mount
- Maintenance free—no bulb to change
- Consistent, even light distribution
- Ultra-slim design
- 4000K
- 50,000 hour life
- 5 Year warranty

Maximum number of units that can be connected:

- 65-1102 -27 units
- 65-1103 -14 units
- 65-1104 -9 units



Accessories



Strips

Item Number	Size	W	Input Voltage	CCT	Lm	CRI (RA)	PF	Location	Installation	Linkable or Non	Life/Hrs.	UPC	Pack
65-1100	2FT	12	100-277V	4000K	900	90	0.9	Damp	surface mounting on ceiling or wall	Non Linkable	50K	045923611001	12
65-1101	4FT	24	100-277V	4000K	1800	90	0.9	Damp	surface mounting on ceiling or wall	Non Linkable	50K	045923511011	12
65-1102	1FT	12	120V	4000K	840	90	0.9	Damp	surface mounting on ceiling or wall	Linkable	50K	045923511028	12
65-1103	2FT	24	120V	4000K	1680	90	0.9	Damp	surface mounting on ceiling or wall	Linkable	50K	045923511035	12
65-1104	4FT	36	120V	4000K	2600	90	0.9	Damp	surface mounting on ceiling or wall	Linkable	50K	045923511042	12

Accessories													
65-1107		5 Foot power cord										045923511073	1
65-1108		8 Inch male/male joiner										045923511080	1
65-1112		16 Inch male/male joiner										045923682490	1
65-1113		24 Inch male/male joiner										045923682506	1

Product sheet NU1356

See warranty for details.



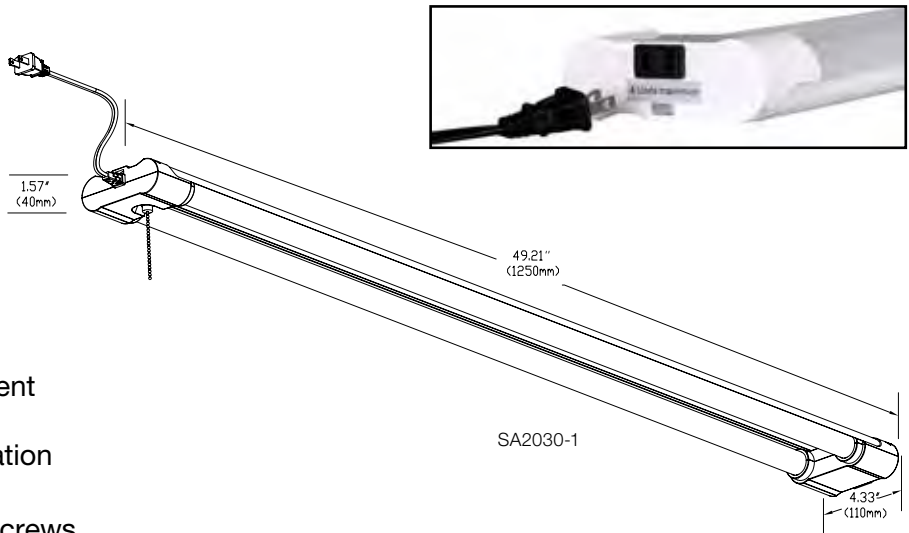
Linkable shop light

Applications:

- Residential/light commercial
- Workshops
- Garages
- Laundry rooms
- Sheds

Features:

- White finish
- 42W LED light source for efficient operation
- Hanging or flush mount installation
- 5' Power cord
- 6" Hanging cables, mounting screws and drywall anchors included
- Linkable up to 4 fixtures
- On/off pull chain
- Easy installation
- 5 Year warranty



Linkable Shop Light

42 WATTS
120 VOLT
4000 K
4200 LUMENS
50,000 HOURS
80 CRI
DAMP LOCATION
FC
RoHS COMPLIANT
ENERGY STAR
ETL LISTED US

Item Number	Lamp Description	W	V	CRI	CCT	Lm	Life/Hrs.	UPC
62-928	42 watt LED Shop Light; White Finish; 4000K	42	120V	80	4000K	4200	50K	045923680120

Product sheet NU1515

See warranty for details.



See warranty for details.



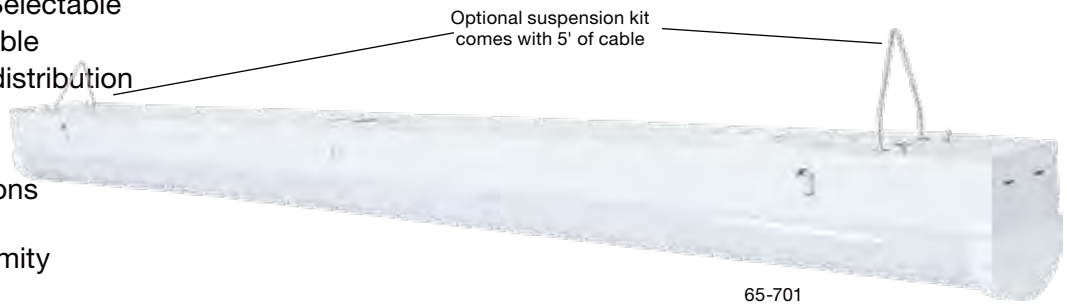
ColorQuick™
Selectable Color Technology



CCT Selectable, wattage selectable strips

Features

- 3500K/4000K/5000K Selectable
- 30W/40W/50W Selectable
- Consistent, even light distribution
- White finish
- Easy installation
- Multiple mounting options
- High reflectance lens for superior light uniformity
- Flicker-free driver
- 2KV Surge protection
- Operating temperature -20° to 60°C
- IP44
- 5 Year warranty



65-701



65-702

CCT & Wattage Selectable Strips



Item Number	Lamp Description	W	V	Finish	CRI	CCT	Lm	Life/Hrs.	UPC	Case Pack
65-701	4' LED Linear Strip Light	30/40/50W	100-277V	White	80	3500K/4000K/5000K	3900-6750	50K	045923655593	6
65-702	8' LED Linear Strip Light	30/40/50W	100-277V	White	80	3500K/4000K/5000K	3900-6750	50K	045923655708	4
Accessories										
65-706	2' & 4' Low bay suspension kit								045923655791	50
65-707	8' Low bay suspension kit								045923655807	50
65-708	Emergency Backup Battery – 8W/1440lm/90 minute run time								045923656071	20
Accessories										
86-210	Microwave Sensor – White								045923862106	20
86-211	PIR Sensor – White								045923862113	20

Product sheet NU1629

See warranty for details.

Slim strips

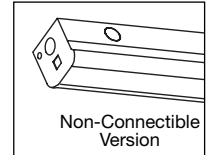
Connectible and knockout options.

Features

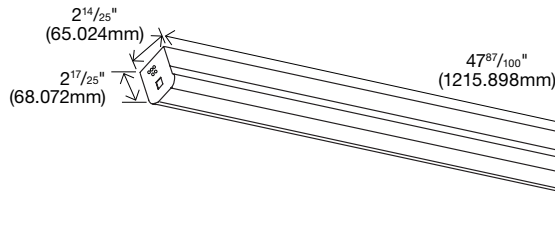
- Consistent, even light distribution
- Built-in j-box for easy installation
- Six 1/2" knockout access points on non-connectable versions
- Connectible version, connect up to 10 units (connector sold separately)
- White finish
- High reflectance lens for superior light uniformity
- 2KV Surge protection
- Operating temperature -20° to 40°C
- IP44
- 5 Year warranty



65-1122, 65-1123



65-1125, 65-1126



Accessories



65-1118



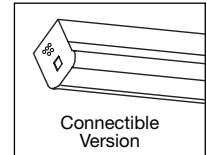
65-1119



86-210



86-211



Slim Strips



Item Number	Lamp Description	W	V	Finish	CRI	CCT	Lm	Life/Hrs.	UPC	Case Pack
65-1122	38W LED Slim Strip Light	38	120-277V	White	80	4000K	4565	50K	045923681967	6
65-1123	38W LED Slim Strip Light	38	120-277V	White	80	5000K	4860	50K	045923681974	6
65-1125	38W LED Slim Connectible Strip Light	38	120-277V	White	80	4000K	4565	50K	045923681981	6
65-1126	38W LED Slim Connectible Strip Light	38	120-277V	White	80	5000K	4860	50K	045923681998	6
Accessories										
65-1118	Quick Connector								045923681943	100
65-1119	18" Quick Cable								045923681950	100
65-1127	Suspension Kit								045923682148	48
86-210	Microwave Sensor – White								045923862106	20
86-211	PIR Sensor – White								045923862113	20

Product sheet NU1558

See warranty for details.

Slim and wide strips - connectability



Slim and wide connectable strips are available with "jumper cable" connection or male/male quick connector. Only one fixture needs to be wired to energize the entire run, (up to 40' depending on the configuration).

Knockout option for standalone units or traditional conduit connection.



Male/male quick connector allows for almost seamless tandem installation.

Connectible up to 10 units, depending on configuration.



One integrated sensor version can control up to 7 units at 120V and 10 units at 277V.



Emergency battery backup:

Wide LED connectable strip fixtures are available with integrated Emergency Battery Backup.

Battery mode:

- 90 Minute run time

- 8W ~ 1000 Lumens

- Optional sensors available to accommodate life safety codes, (86-210 microwave), (86-211 PIR)

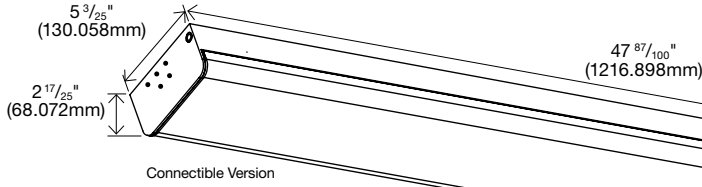
See warranty for details.

Wide Strips

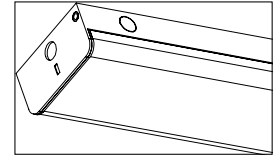


65-1136

65-1132

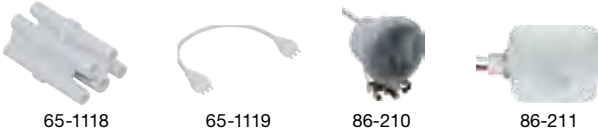


Connectible Version



Non-Connectible Version

Accessories



65-1118

65-1119

86-210

86-211

Wide Strips



Item Number	Lamp Description	W	V	Finish	CRI	CCT	Lm	Life/Hrs.	UPC	Case Pack
65-1132*	38W LED Wide Strip Light	38	120-277V	White	80	4000K	4829	50K	045923682001	6
65-1133*	38W LED Wide Strip Light	38	120-277V	White	80	5000K	4909	50K	045923682018	6
65-1135*	38W LED Wide Connectible Strip Light	38	120-277V	White	80	4000	4829	50K	045923682025	6
65-1136*	38W LED Wide Connectible Strip Light	38	120-277V	White	80	5000K	4909	50K	045923682032	6
With Built-In Sensor										
65-1142	40W LED Wide Strip Light With Built In Sensor	40	120-277V	White	80	4000K	4829	50K	045923682049	6
65-1143	40W LED Wide Strip Light With Built In Sensor	40	120-277V	White	80	5000K	4909	50K	045923682056	6
65-1145	40W LED Wide Connectible Strip Light With Built In Sensor	40	120-277V	White	80	4000K	4829	50K	045923682063	6
65-1146	40W LED Wide Connectible Strip Light With Built In Sensor	40	120-277V	White	80	5000K	4909	50K	045923682070	6
With Emergency Battery Back Up										
65-1152*	40W LED Emergency Battery Back Up Wide Strip Light	40	120-277V	White	80	4000K	4829	50K	045923682087	6
65-1153*	40W LED Emergency Battery Back Up Wide Strip Light	40	120-277V	White	80	5000K	4909	50K	045923682094	6
65-1155*	40W LED Emergency Battery Back Up Wide Connectible Strip Light	40	120-277V	White	80	4000K	4829	50K	045923682100	6
65-1156*	40W LED Emergency Battery Back Up Wide Connectible Strip Light	40	120-277V	White	80	5000K	4909	50K	045923682117	6
Accessories										
65-1118	Quick Connector								045923681943	100
65-1119	18" Quick Cable								045923681950	100
65-1137	Suspension Kit								045923682155	48
86-210	*Microwave Sensor - White								045923862106	20
86-211	*PIR Sensor - White								045923862113	20

Product sheet NU1559


See warranty for details.

Wide Strips with integrated microwave motion sensor

One connectable sensor unit can control up to 7 units at 120V and 10 units at 277V.


Settings:

By selecting the combination on the DIP switches, sensor data can be precisely set for each specific application.

ON ↑ 		1	2	
	I	ON	ON	100%
	II	ON	-	75%
	III	-	ON	50%
	IV	-	-	10%


Detection area

Detection area can be reduced by selecting the combination on the DIP switches to fit precisely each application.

ON ↑ 		3	4	5	
	I	ON	ON	ON	5S
	II	-	ON	ON	30S
	III	ON	-	ON	90S
	IV	-	-	ON	3min
	V	ON	ON	-	20min
	VI	-	-	-	+∞


Hold time

Refers to the time period the lamp remains at 100% illumination after no motion detected.

ON ↑ 		6	7	8	
	I	ON	ON	ON	0S
	II	-	ON	ON	5S
	III	ON	-	ON	5min
	IV	-	-	ON	10min
	V	ON	ON	-	30min
	VI	-	ON	-	1h
	VII	-	-	-	Disable

Stand-by period

Refers to the time period the lamp remains at a low light level before it completely switches off in the long absence of people. When set to “+∞” mode, the low light is maintained until motion is detected.


ON ↑ 		1	2	3	4	
	I	-	-	ON	ON	2Lux
	II	-	-	-	ON	5Lux
	III	-	ON	ON	-	10Lux
	IV	-	-	ON	-	25Lux
	V	-	ON	-	-	50Lux
	VI	ON	-	-	-	100Lux
	VII	-	-	-	-	Disable

Daylight sensor

The sensor can be set to only allow the lamp to illuminate below a defined ambient brightness threshold.

When set to Disable mode, the daylight sensor will switch on the lamp when motion is detected regardless of ambient light level.

50lux, 30lux: twilight operation, 10lux, 5lux: darkness operation only.
Note that daylight sensor is active only when lamp totally switches off.

ON ↑ 		5	6	
	I	ON	ON	50%
	II	-	ON	30%
	III	ON	-	20%
	IV	-	-	10%

Stand-by dimming level

The low light level you would like to have after the hold time in the long absence of people.

See warranty for details.

Glamour Surface Mount

Applications

- Kitchen
- Bathroom
- Hallway
- Closets
- Office
- Utility

Features

- Durable white polymer cover
- 3 Year warranty



Glamour Surfaces



Item Number	Lamp Description	W	V	CRI	CCT	Lm	Life/Hrs.	Dimensions	UPC	Pack
62-1035	LED GLAMOUR BN 10" FLUSH - Brushed Nickel	18	120	90	3000K	1440	30K	10" W x 3 3/4" H	045923410352	6
62-1036	LED GLAMOUR BN 13" FLUSH - Brushed Nickel	25	120	90	3000K	2000	30K	13" W x 3 3/4" H	045923410369	6
62-1037	LED GLAMOUR BN 17" FLUSH - Brushed Nickel	25	120	90	3000K	2000	30K	17" W x 3 3/4" H	045923410376	4
62-1038	LED GLAMOUR BN 24" FLUSH - Brushed Nickel	39	120	90	3000K	3120	30K	24" W x 3 3/4" H	045923410383	2
62-1041	LED GLAMOUR BN 32" OVAL - Brushed Nickel	52	120	90	3000K	4160	30K	32 1/2" L x 18" W x 4" H	045923410413	1
62-1435	LED GLAMOUR BN 10" FLUSH - Black	18	120	90	3000K	1440	30K	10" W x 3 3/4" H	045923680205	6
62-1436	LED GLAMOUR BN 13" FLUSH - Black	25	120	90	3000K	2000	30K	13" W x 3 3/4" H	045923680212	6
62-1437	LED GLAMOUR BN 17" FLUSH - Black	25	120	90	3000K	2000	30K	17" W x 3 3/4" H	045923680229	4
62-1438	LED GLAMOUR BN 24" FLUSH - Black	39	120	90	3000K	3120	30K	24" W x 3 3/4" H	045923680236	2
62-1441	LED GLAMOUR BN 32" OVAL - Black	52	120	90	3000K	4160	30K	32 1/2" L x 18" W x 4" H	045923680267	1

Product sheet NU1558

See warranty for details.



62-1039



62-1040



62-1439



62-1440

Glamour Linear

Applications

- Kitchen
- Bathroom
- Hallway
- Closets
- Office
- Utility

Features

- Durable white polymer cover
- 3 Year warranty

Glamour Linear



Item Number	Lamp Description	W	V	CRI	CCT	Lm	Life/Hrs.	Dimensions	UPC	Pack
62-1039	LED GLAMOUR BN 25" LINEAR - Brushed Nickel	26	120	90	3000K	2080	30K	25" L x 12" W x 4 1/2" H	045923410390	3
62-1040	LED GLAMOUR BN 50" LINEAR - Brushed Nickel	52	120	90	3000K	4160	30K	50" L x 12" W x 4 1/2" H	045923410406	1
62-1439	LED GLAMOUR BN 25" LINEAR - Black	26	120	90	3000K	2080	30K	25" L x 12" W x 4 1/2" H	045923680243	3
62-1440	LED GLAMOUR BN 50" LINEAR - Black	52	120	90	3000K	4160	30K	50" L x 12" W x 4 1/2" H	045923680250	1

Product sheet NU1372

See warranty for details.

Glamour



Brushed Nickel Finish
62-1045



Black Finish
62-1445

Crispo



White Finish
62-1046

Glamour & Crispo Wall

Applications

- Kitchen
- Bathroom
- Hallway
- Office

Features

- Durable white polymer cover
- Damp location
- ADA Compliant
- 3 Year warranty



Glamour & Crispo Wall

Item Number	Lamp Description	W	V	CRI	CCT	Lm	Life/Hrs.	Dimensions	UPC	Pack
62-1045	LED GLAMOUR BN WALL SCONCE – Brushed Nickel	10	120	90	3000K	800	30K	9" W x 10 1/2" H x 4" Ext.	045923410451	1
62-1445	LED GLAMOUR BN WALL SCONCE – Black	10	120	90	3000K	800	30K	9" W x 10 1/2" H x 4" Ext.	045923680304	1
62-1046	LED CRISPO WALL SCONCE – White	10	120	90	3000K	800	30K	9" W x 10 1/2" H x 4" Ext.	045923410468	1

Product sheet NU1369

See warranty for details.

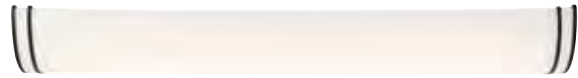
Glamour



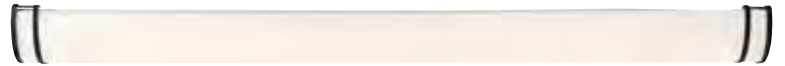
Brushed Nickel Finish
62-1031



Brushed Nickel Finish
62-1032



Black Finish
62-1431



Black Finish
62-1432

Crispo



White Finish
62-1033



White Finish
62-1034

Glamour & Crispo Vanity

Applications

- Kitchen
- Bathroom
- Hallway
- Office

Features

- Durable white polymer lens
- ADA compliant
- 3 Year warranty

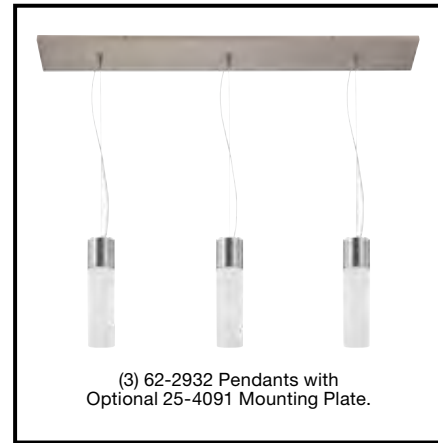
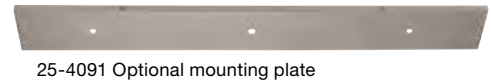
Glamour & Crispo Vanity



Item Number	Lamp Description	W	V	CRI	CCT	Lm	Life/ Hrs.	Dimensions	UPC	Pack
62-1031	LED GLAMOUR 25" BN VANITY	26	120	90	3000K	2080	30K	25" W x 5 1/2" H x 3" Ext.	045923410314	6
62-1032	LED GLAMOUR 49" BN VANITY	52	120	90	3000K	4160	30K	49" W x 5 1/2" H x 3" Ext.	045923410321	4
62-1431	LED GLAMOUR 25" BK VANITY	26	120	90	3000K	2080	30K	25" W x 5 1/2" H x 3" Ext.	045923680182	6
62-1432	LED GLAMOUR 49" BK VANITY	52	120	90	3000K	4160	30K	49" W x 5 1/2" H x 3" Ext.	045923680199	4
62-1033	LED CRISPO 25" WHITE VANITY	26	120	90	3000K	2080	30K	25" W x 5 1/2" H x 3" Ext.	045923410338	6
62-1034	LED CRISPO 49" WHITE VANITY	52	120	90	3000K	4160	30K	49" W x 5 1/2" H x 3" Ext.	045923410345	4

Product sheet NU1367

See warranty for details.



Link

Applications

- Kitchen
- Bathroom
- Hallway
- Office

Features

- ADA compliant wall sconces
- 3 Year warranty

Link



Item Number	Lamp Description	Finish	W	Bulb Type	CRI	Lm	Dimensions	UPC	Pack
62-2936	Double Tube Wall Sconce	Br. Nickel/Satin White Glass	24	LED Mod.	90	1640	4½"W x 21"H x 3 ¾" Ext.	045923679360	1
62-2934	Single Tube Wall Sconce	Br. Nickel/Satin White Glass	12	LED Mod.	90	820	4½"W x 11½"H x 3 ¾" Ext.	045923679346	1
62-2932	Single Tube Pendant	Br. Nickel/Satin White Glass	12	LED Mod.	90	820	2¾"W x 10¾"H, Wire 12'	045923679322	1
25-4091	3-Light Canopy Mounting Plate	Br. Nickel					36"W x 5½"H	045923240911	1

Product sheet NU1435

See warranty for details.



62-1042



62-1442



62-1043



62-1443



62-1044



62-1444

Button round flush

Applications

- Kitchen
- Bathroom
- Hallway
- Office

Features

- Satin White glass
- 3 Year warranty

Button Round Flush



Item Number	Lamp Description	W	V	CRI	CCT	Lm	Life/Hrs.	Dimensions	UPC	Pack
62-1042	LED BUTTON BN 11" FLUSH - BRUSHED NICKEL	18	120	90	3000K	1440	30K	11" W x 3 7/8" H	045923410420	4
62-1043	LED BUTTON BN 13" FLUSH - BRUSHED NICKEL	18	120	90	3000K	1440	30K	13 3/8" W x 4" H	045923410437	3
62-1044	LED BUTTON BN 17" FLUSH - BRUSHED NICKEL	25	120	90	3000K	2000	30K	17" W x 5" H	045923410444	3
62-1442	LED BUTTON BN 11" FLUSH - BLACK	18	120	90	3000K	1440	30K	11" W x 3 7/8" H	045923680274	4
62-1443	LED BUTTON BN 13" FLUSH - BLACK	18	120	90	3000K	1440	30K	13 3/8" W x 4" H	045923680281	3
62-1444	LED BUTTON BN 17" FLUSH - BLACK	25	120	90	3000K	2000	30K	17" W x 5" H	045923680298	3

Product sheet NU1371

See warranty for details.



62-460



62-470



62-459



62-469



62-458



62-468

Pi flush

Applications

- Kitchen
- Bathroom
- Hallway
- Office
- Utility

Features

- Brushed Nickel or Black finish
- Etched Glass
- 3 Year warranty

Pi Flush



Item#	Description	Finish	Light Source	Watts	Volts	Width	Height	CCT	Lumens	CRI	Cert. Type
62-458	9" Flush	Brushed Nickel	LED	18	120	9"	3 1/8"	3000K	1,500*	90	Damp
62-459	11" Flush	Brushed Nickel	LED	25	120	11"	3 1/8"	3000K	2,125*	90	Damp
62-460	14" Flush	Brushed Nickel	LED	25	120	14"	3 1/8"	3000K	2,125*	90	Damp
62-468	9" Flush	Black	LED	18	120	9"	3 1/8"	3000K	1,500*	90	Damp
62-469	11" Flush	Black	LED	25	120	11"	3 1/8"	3000K	2,125*	90	Damp
62-470	14" Flush	Black	LED	25	120	14"	3 1/8"	3000K	2,125*	90	Damp

Product sheet NU1544

See warranty for details.

12" and 14" Range voltage operation (120-277V) flush

Applications

- Kitchens
- Baths
- Hallways
- Closets
- Office

Features

- Dimmable (120V only)
- Brushed Nickel or Mahogany Bronze finish
- Frosted Twist & Lock Glass
- 120-277V, 50/60Hz
- Long Life—50,000 hours
- 5 Year warranty



62-786 12" / 62-788 14"
Brushed Nickel



62-787 12" / 62-789 14"
Mahogany Bronze



LED module

12" & 14" Range Voltage Operation (120-277V) Flush



Item Number	Description	W	V	CRI	CCT	Lm	Beam	Dimension	Life/Hrs.	UPC	Pack
62-786	12" LED Flush Mount / Brushed Nickel	18	120-277	90	3000K	1080	90°	11 3/4" W x 4 1/2" H	50K	045923327865	4
62-787	12" LED Flush Mount / Mahogany Bronze	18	120-277	90	3000K	1080	90°	11 3/4" W x 4 1/2" H	50K	045923327872	4
62-788	14" LED Flush Mount / Brushed Nickel	24	120-277	90	3000K	1440	90°	14" W x 5 1/2" H	50K	045923327889	4
62-789	14" LED Flush Mount / Mahogany Bronze	24	120-277	90	3000K	1440	90°	14" W x 5 1/2" H	50K	045923327896	4

Product sheet NU1308

See warranty for details.

11" and 13" Flush

Applications

- Kitchens
- Entrances
- Baths
- Hallways
- Office

Features:

- 120V
- 5 Year warranty



62-1342 (11"), 62-1343 (13")
Mahogany Bronze



62-1340 (11"), 62-1341 (13")
Brushed Nickel



LED Module

11" & 13" Flush



Item Number	Description	Watts	Volts	CRI	CCT	Lumens	Dimensions	Life/ Hours	UPC	Pack/ Mstr.
62-1340	11" LED Flush Mount / Brushed Nickel	16.5	120	90+	3000K	1000	11" x 4 5/8"	50,000	045923682162	4
62-1341	13" LED Flush Mount / Brushed Nickel	23.5	120	90+	3000K	1400	13" x 4 5/8"	50,000	045923682179	4
62-1342	11" LED Flush Mount / Mahogany Bronze	16.5	120	90+	3000K	1000	11" x 4 5/8"	50,000	045923682186	4
62-1343	13" LED Flush Mount / Mahogany Bronze	23.5	120	90+	3000K	1400	13" x 4 5/8"	50,000	045923682193	4

Product sheet NU1555

See warranty for details.

Indoor/Outdoor

Applications:

- Walkways
- Entrances
- Hallways
- Lobbies
- Patio

Features:

- White or Black finish with frosted glass
- Rugged construction
- Die-cast aluminum body
- UV stabilized powder coated finish
- Suitable for wet locations
- Rated for 50,000 hours
- 5 Year warranty



62-1410



62-1419



62-1414



62-1417

Indoor/Outdoor



Item Number	Description	Watts	Volts	CRI	CCT	Lumens	Dimensions	Life/Hours	UPC	Pack
62-1410	LED Oval Bulkhead / White / Frosted Glass	18.5	120	90	3000K	1200	10 ⁷ / ₈ "H x 6 ¹ / ₈ "W x 4 ¹ / ₈ "E	50,000	045923682209	6
62-1411	LED Oval Bulkhead / Black / Frosted Glass	18.5	120	90	3000K	1110	10 ⁷ / ₈ "H x 6 ¹ / ₈ "W x 4 ¹ / ₈ "E	50,000	045923682216	6
62-1413	LED Rectangular Bulkhead / White / Frosted Glass	18.5	120	90	3000K	1110	10 ¹ / ₂ "H x 7"W x 5 ¹ / ₈ "E	50,000	045923682261	6
62-1414	LED Rectangular Bulkhead / Black / Frosted Glass	18.5	120	90	3000K	1110	10 ¹ / ₂ "H x 7"W x 5 ¹ / ₈ "E	50,000	045923682278	6
62-1416	LED Cage Lantern / White / Frosted Glass	13.5	120	90	3000K	820	9 ⁷ / ₈ "H x 7 ³ / ₄ "W x 4 ³ / ₈ "E	50,000	045923682223	6
62-1417	LED Cage Lantern / Black / Frosted Glass	13.5	120	90	3000K	745	9 ⁷ / ₈ "H x 7 ³ / ₄ "W x 4 ³ / ₈ "E	50,000	045923682230	6
62-1419	LED Spider Cage / White / Frosted Glass	18.5	120	90	3000K	1110	11 ¹ / ₂ "W x 5"H	50,000	045923682247	4
62-1420	LED Spider Cage / Black / Frosted Glass	18.5	120	90	3000K	1110	11 ¹ / ₂ "W x 5"H	50,000	045923682254	4

Product sheet NU1545

See warranty for details.

7" and 10" disk

Applications

- Kitchen
- Bathroom
- Hallway
- Closets
- Office

Features

- Complies with NEC 410.16 (A)(3) and NEC 410.16 (C)(5)
- 10.5 Watts – 60 Watt equivalent
- 12 Watts – 75 Watt equivalent
- Mounts to 3" & 4" junction boxes — includes cross bar
- Durable white polymer lens
- Long life—50,000 hours
- 5 Year warranty



62-1161
7" White Finish shown



62-1162
7" Brushed Nickel Finish shown



62-1163
7" Mahogany Bronze Finish shown

7" and 10" Disk



Item Number	Description	W	V	CRI	CCT	Lm	Light Source	Finish	Life/Hrs.	Dimensions	UPC	Pack
62-1161	7" LED disk light	10.5	120	90	3000K	578	LED Module	White	50K	7 1/16" W x 1 1/16" H	045923639715	12
62-1162	7" LED disk light	10.5	120	90	3000K	578	LED Module	Brushed Nickel	50K	7 1/16" W x 1 1/16" H	045923639722	12
62-1163	7" LED disk light	10.5	120	90	3000K	578	LED Module	Mahogany Bronze	50K	7 1/16" W x 1 1/16" H	045923639739	12
62-1164	7" LED disk light	10.5	120	90	4000K	578	LED Module	White	50K	7 1/16" W x 1 1/16" H	045923639746	12
62-1165	10" LED disk light	12	120	90	3000K	700	LED Module	White	50K	9 3/16" W x 1 7/16" H	045923639753	12
62-1166	10" LED disk light	12	120	90	3000K	700	LED Module	Brushed Nickel	50K	9 3/16" W x 1 7/16" H	045923639760	12
62-1167	10" LED disk light	12	120	90	3000K	700	LED Module	Mahogany Bronze	50K	9 3/16" W x 1 7/16" H	045923639777	12
62-1168	10" LED disk light	12	120	90	4000K	760	LED Module	White	50K	9 3/16" W x 1 7/16" H	045923639784	12

Product sheet NU1447

See warranty for details.

7" and 10" High lumen disk

Applications

- Kitchen
- Bathroom
- Hallway
- Office

Features

- Occupancy Sensor models comply with NEC 410.16 (A)(3) and NEC 410.16 (C)(5)
- 16.5 Watts = 75 Watt equivalent
- 21.5 Watts = 100 Watt equivalent
- Mounts to 3" & 4" junction boxes — includes crossbar
- Wet location - 7" models
- Damp location - 10" models and all models with sensor
- Durable white polymer lens
- Long life—50,000 hours
- 5 Year warranty



62-1261
7" White Finish shown

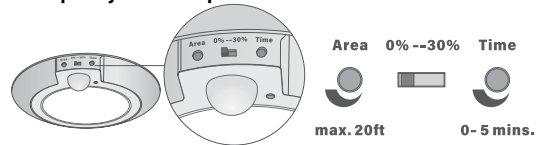


62-1262
7" Brushed Nickel Finish shown

62-1267
10" Mahogany Bronze Finish shown

62-1313
7" & 10" with Occupancy Sensor - White Finish shown
*Complies with NEC 410.16 (C)(5).

Occupancy sensor operation



There are 3 sensor settings on the side. Use a flat screwdriver to adjust.

- 1 **Area** Sensor activation area can be set for a diameter of 0ft to a maximum of 20 ft
- 2 **0% - 30%** The fixture can be set at default brightness of 0 (not lit in OFF condition) or 30% (maintain 30% of full output in OFF condition)
- 3 **Time** Time options from 0 to 5 minutes for ON time after activation

Occupancy sensor models have an integrated lux sensor for added energy savings

7" and 10" High Lumen Disk



Item Number	Description	W	V	Light Source	CCT	Lm	CRI	Finish	Life/Hrs.	UPC	Pack/Mstr.
62-1261R1*	7" LED Disk Light	15	120	LED Module	3000K	1000	>90	White	50K	045923622144	12
62-1262R1*	7" LED Disk Light	15	120	LED Module	3000K	1000	>90	Brushed Nickel	50K	045923622151	12
62-1263R1*	7" LED Disk Light	15	120	LED Module	3000K	1000	>90	Mahogany Bronze	50K	045923622168	12
62-1264R1*	7" LED Disk Light	15	120	LED Module	4000K	1050	>90	White	50K	045923622175	12
62-1265**	10" LED Disk Light	21.5	120	LED Module	3000K	1200	>90	White	50K	045923622182	12
62-1266**	10" LED Disk Light	21.5	120	LED Module	3000K	1200	>90	Brushed Nickel	50K	045923622199	12
62-1267**	10" LED Disk Light	21.5	120	LED Module	3000K	1200	>90	Mahogany Bronze	50K	045923622205	12
62-1268**	10" LED Disk Light	21.5	120	LED Module	4000K	1260	>90	White	50K	045923622212	12
with Occupancy Sensor											
62-1310**	7" LED Disk Light w/ Occ	16.5	120	LED Module	3000K	1000	>90	White	50K	045923682285	12
62-1312**	7" LED Disk Light w/ Occ	16.5	120	LED Module	4000K	1050	>90	White	50K	045923682308	12
62-1311**	10" LED Disk Light w/ Occ	21.5	120	LED Module	3000K	1200	>90	White	50K	045923682292	12
62-1313**	10" LED Disk Light w/ Occ	21.5	120	LED Module	4000K	1260	>90	White	50K	045923682315	12

Product sheet NU1447

See warranty for details.

11", 14" and 19" Flush mount round with or without occupancy sensor

Applications

- Kitchen
- Bathroom
- Hallway
- Office

Features

- 11" and 14" models comply with NEC 410.16 (A)(3) and NEC 410.16 (C)(5)
- Dimmable (without sensor only)
- 11" – 75 Watt equivalent
- 14" – 100 Watt equivalent
- 19" – 150 Watt equivalent
- Durable white cover (PMMA)
- 5 Year warranty
- Long life – 50,000 hours

11", 14" & 19" Flush Mount Round With or Without Occupancy Sensor

Item Number	Description	W	V	Light Source	CCT	Lumens	CRI	Life/Hours	Dimensions	UPC	Pk.
62-745	11" LED flush mount	16	120	LED Module	3000K	990	>90	50,000	11 x 11 x 3 1/2	045923517457	6
62-746	14" LED flush mount	20	120	LED Module	3000K	1230	>90	50,000	14 x 14 x 3 1/2	045923517464	4
62-765	19" LED flush mount	32	120	LED Module	3000K	1950	>90	50,000	19 x 19 x 4 3/4	045923517655	2
62-747	11" LED flush mount with occupancy sensor	16.5	120	LED Module	3000K	990	>90	50,000	11 x 11 x 3 1/2	045923517471	6
62-748	14" LED flush mount with occupancy sensor	20.5	120	LED Module	3000K	1230	>90	50,000	14 x 14 x 3 1/2	045923517488	4
62-766	19" LED flush mount with occupancy sensor	32.5	120	LED Module	3000K	1950	>90	50,000	19 x 19 x 4 3/4	045923517662	2



62-745
11" Shown



62-746
14" Shown



62-766
19" Shown

Occupancy Sensor Specifications

- Input current: ≥25mA
- 8 pin DIP switch setting, multiple options to meet different customer demands
- Detection range up to 10m in diameter
- Mounting height: 3-6m
- Operation temperature: -20°C ~ +70°C
- RoHs compliant



Product sheet NU1459

See warranty for details.

11" and 14" 120-277V 0-10V Dimming

Applications

- Kitchen
- Bathroom
- Hallway
- Office

Features

- 12.5 Watts (62-791)
75 Watt equivalent
- 16.5 Watts (62-792)
100 Watt equivalent
- 5 Year warranty
- Long life – 50,000 hours
- Durable white polymer cover (PMMA)
- Damp location



62-791
11" LED flush mount fixture



62-792
14" LED flush mount fixture

11" & 14" 120-277V 0-10V Dimming



Item Number	Description	Finish	Cover	Watts	Light Source	cETLus	CCT	Lumens	CRI	Hours	Width	Height	Pk.
62-791R1	11" LED flush mount	White	Acrylic	12.5	LED Module	Damp	3000K	875	>90	50,000	11 5/8"	3 1/8"	6
62-792R1	14" LED flush mount	White	Acrylic	16.5	LED Module	Damp	3000K	1245	>90	50,000	14"	3 1/2"	4

Product sheet NU1576

See warranty for details.

11" and 14" Flush mount square with or without occupancy sensor

Applications

- Kitchen
- Bathroom
- Hallway
- Closets
- Office

Features

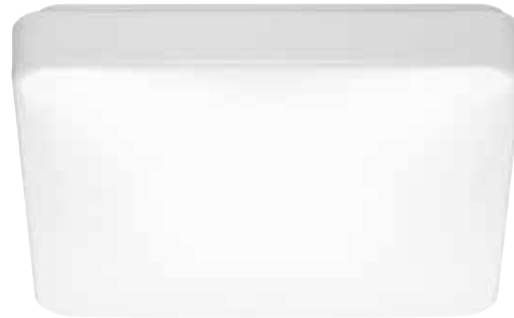
- Complies with NEC 410.16 (A)(3) and NEC 410.16 (C)(5)
- Dimmable (without sensor only)
- 11" – 75 Watt equivalent
- 14" – 100 Watt equivalent
- 5 Year warranty
- Long life – 50,000 hours
- Durable white cover (PMMA)

Occupancy Sensor Specifications

- Input current: $\geq 25\text{mA}$
- 8 pin DIP switch setting, multiple options to meet different customer demands
- Detection range up to 10m in diameter
- Mounting height: 3–6m
- Operation temperature: $-20^{\circ}\text{C} \sim +70^{\circ}\text{C}$
- RoHs compliant



62-1095, 62-1097
11" LED flush mount fixture



62-1096, 62-1098
14" LED flush mount fixture

11", 14" & 19" Flush Mount Square With or Without Occupancy Sensor



Item Number	Descriptions	W	V	Light Source	CCT	Lumens	CRI	Life/Hours	Dimensions	UPC	Pk.
62-1095	11" LED flush mount	16	120	LED Module	3000K	990	>90	50,000	11 x 11 x 3 1/4	045923510953	6
62-1096	14" LED flush mount	20	120	LED Module	3000K	1230	>90	50,000	14 x 14 x 3 1/4	045923510960	4
62-1097	11" LED flush mount with occupancy sensor	16.5	120	LED Module	3000K	990	>90	50,000	11 x 11 x 3 1/4	045923510977	6
62-1098	14" LED flush mount with occupancy sensor	20.5	120	LED Module	3000K	1230	>90	50,000	14 x 14 x 3 1/4	045923510984	4

Product sheet NU1461

See warranty for details.

11" and 14" Range voltage operation (120-277V) flush

Applications

- Kitchens
- Baths
- Hallways
- Office

11" 62-795

Features

- 11" Flush mount fixture
- 12.5 Watts—over 80% energy savings
- 120/277V, 50/60Hz
- Dimmable (120V only)*
- Damp location
- Durable white cover (PMMA)



62-795
11" LED flush mount fixture

14" 62-796

Features

- 14" Flush mount fixture
- 16.5 Watts—over 80% energy savings
- 120/277V, 50/60Hz
- Dimmable (120V only)*
- Damp location
- Durable white cover (PMMA)



62-796
14" LED flush mount fixture

11" & 14" Range Voltage Operation (120-277V) Flush



Item Number	Lamp Description	W	V	CRI	CCT	Lm	Bm	Dimensions	Life/Hrs.	UPC	Pack
62-795	11" LED Flush Mount	12.5	120-277	90	3000K	891	90°	11 5/8" W x 3 1/8" H	40K	045923327957	6
62-796R1	14" LED Flush Mount	16.5	120-277	90	3000K	1120	90°	14" W x 3 1/2" H	40K	045923327964	4

Product sheet NU1280

See warranty for details.

14" Range voltage operation (120-277V) flush with sensors

Applications

- Kitchens
- Baths
- Hallways
- Office



14" Occupancy sensor

62-797 Features

- Occupancy Sensor—provides automatic ON/OFF switching
- 14" Flush mount fixture
- 16.5 Watts—over 80% energy savings
- 120/277V, 50/60Hz
- Damp location
- Durable polymer cover

14" Vacancy sensor

62-798 Features

- 24/7 Sensor step-down operation:
Unoccupied, 50% light / occupied, 100% light (Always on)
- 14" Flush mount fixture
- 16.5 Watts—over 80% energy savings
- 120/277V, 50/60Hz
- Durable white cover (PMMA)

14" Range Voltage Operation (120-277V) Flush with Sensors



Item Number	Lamp Description	W	V	CRI	CCT	Lm	Bm	Dimensions	Life/Hrs.	UPC	Pack
62-797	14" LED Flush Mount w/ occupancy sensor	16.5	120-277	90	3000K	960	90°	14" W x 3 1/2" H	40K	045923327971	4
62-798	14" LED Flush Mount w/ step down sensor	16.5	120-277	90	3000K	960	90°	14" W x 3 1/2" H	40K	045923327988	4

Product sheet NU1292

See warranty for details.



See warranty for details.

Commercial and industrial, indoor/outdoor architectural LED lighting.



Building codes everywhere set minimum safety standards for the lighting of virtually every structure. The Nuvo architectural LED line will certainly meet those standards, but do it more efficiently. LED lighting can save up to 80% on utility costs versus older technologies while providing the lighting needed for commercial building exteriors, parking garages, walkways, entryways, warehouses – indoors or out.

Nuvo architectural LED fixtures are keeping venues everywhere safe and efficiently lit using the best electrical components, materials and overall fixture engineering available, even in the harshest conditions.

See warranty for details.

Dual head security

With or without motion sensor

Features

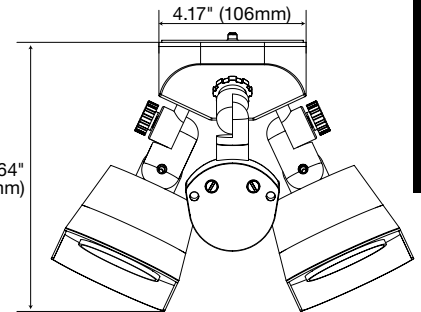
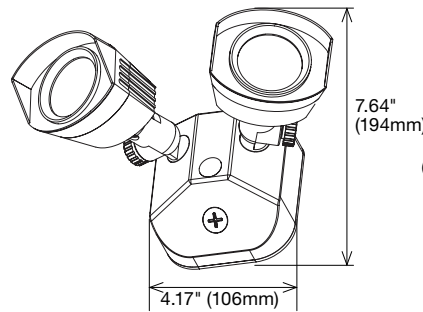
- Ideal for walkway, patio and entrance lighting
- Die-cast aluminum body and heads
- Impact resistant lenses
- White, Black or Bronze finish
- UV Stabilized powder coated finish
- Recessed junction box required
- 2KV Surge protection
- 100-277V (without motion sensor)
- 120V (with motion sensor)
- Operating temperature -30°C to 50°C
- 5 Year warranty

Motion Sensor Specifications

- 1 Time setting: 10 seconds to 10 minutes
- Detection angle: 180°
- Detection range: 10 feet to 60 feet
- Dusk to dawn feature
- Manual override



65-211
With integrated motion sensor with adjustable settings



FLOODS/WALL PACKS

Dual Head Security



Item Number	Lamp Description	W	V	Finish	CRI	CCT	Lm	Life/Hrs.	UPC	Pk./Mstr.
65-211	Security Light w/Sensor - White - 3000K	20	120V	White	80	3000K	1900	50K	045923680311	5
65-213	Security Light w/Sensor - Bronze - 3000K	20	120V	Bronze	80	3000K	1900	50K	045923680328	5
65-215	Security Light w/Sensor - Black - 3000K	20	120V	Black	80	3000K	1900	50K	045923680335	5
65-210	Security Light w/o Sensor - White - 3000K	20	100-277V	White	80	3000K	1900	50K	045923680342	5
65-212	Security Light w/o Sensor - Bronze - 3000K	20	100-277V	Bronze	80	3000K	1900	50K	045923680359	5
65-214	Security Light w/o Sensor - Black - 3000K	20	100-277V	Black	80	3000K	1900	50K	045923680366	5
65-217	Security Light w/Sensor - White - 4000K	20	120V	White	80	4000K	1900	50K	045923680373	5
65-219	Security Light w/Sensor - Bronze - 4000K	20	120V	Bronze	80	4000K	1900	50K	045923680380	5
65-221	Security Light w/Sensor - Black - 4000K	20	120V	Black	80	4000K	1900	50K	045923680397	5
65-216	Security Light w/o Sensor - White - 4000K	20	100-277V	White	80	4000K	1900	50K	045923680403	5
65-218	Security Light w/o Sensor - Bronze - 4000K	20	100-277V	Bronze	80	4000K	1900	50K	045923680410	5
65-220	Security Light w/o Sensor - Black - 4000K	20	100-277V	Black	80	4000K	1900	50K	045923680427	5

Product sheet NU1537

See warranty for details.

Area flood lights

Features

- Maintenance free—no bulb to change
- Consistent, even light distribution
- Bronze finish
- Die-cast aluminum body
- UV Stabilized powder coated finish
- Impact-resistant lens
- ½" Knuckle mount and mounting plate included (15 – 90W)
- 2 ¾" Slipfitter mount included (150W)
- Photocell and multiple mounting options available (70W, 90W and 150W)
- 120° Horizontal x 150° vertical beam angle
- 3000K, 4000K and 5000K options
- Operating temperature -20°C to 45°C
- IP65
- 5 Year warranty



Small LED
15W flood light



Mounting plate included



Medium LED
30W flood light



Large LED
50W flood light

Area Flood Lights



Item Number	Lamp Description	W	MH Equiv.	V	Finish	CCT	Lm	CRI	Life/Hrs.	UPC	Pack/Mstr.
65/531	LED 15W SMALL FLOOD LIGHT	15	70W	100-277V	Bronze	3000K	1593	80	50000	045923680779	16
65/532	LED 15W SMALL FLOOD LIGHT	15	70W	100-277V	Bronze	4000K	1603	80	50000	045923680786	16
65/533	LED 15W SMALL FLOOD LIGHT	15	70W	100-277V	Bronze	5000K	1624	80	50000	045923680793	16
65/534	LED 30W MEDIUM FLOOD LIGHT	30	70-100W	100-277V	Bronze	3000K	3404	80	50000	045923680809	8
65/535	LED 30W MEDIUM FLOOD LIGHT	30	70-100W	100-277V	Bronze	4000K	3427	80	50000	045923680816	8
65/536	LED 30W MEDIUM FLOOD LIGHT	30	70-100W	100-277V	Bronze	5000K	3432	80	50000	045923680823	8
65-537	LED 50W LARGE FLOOD LIGHT	50	150W	100-277V	Bronze	3000K	5717	80	50000	045923680830	6
65-538	LED 50W LARGE FLOOD LIGHT	50	150W	100-277V	Bronze	4000K	5778	80	50000	045923680847	6
65-539	LED 50W LARGE FLOOD LIGHT	50	150W	100-277V	Bronze	5000K	5793	80	50000	045923680854	6

Product sheet NU1604-1

See warranty for details.

65-615, 65-616
65-617, 65-618
70 Watt and
90 Watt with
standard 1/2"
knuckle mount
and mounting
plate (included).



Mounting
plate
included



65-619, 65-620
150 Watt with
standard 2 3/4"
slip-fitter mount
(included)



Slip-fitter
mount
included



Accessories

65-613
Universal
Mount



65-610
Direct
Mount



65-604
Trunnion
Mount



65-609
Slip-fitter
Mount



86-212
Photocell



65-605
Yoke
Mount



FLOODS/WALL PACKS

Flood Lights



Item Number	Lamp Description	W	MH Equiv.	V	Finish	CCT	Lm	CRI	Life/Hrs.	UPC	Pack/Mstr.
65/615	70W LED FLOOD LIGHT	70	150-200W	100-277V	Bronze	4000K	9889	80	50000	045923674167	5
65/616	70W LED FLOOD LIGHT	70	150-200W	100-277V	Bronze	5000K	10030	80	50000	045923674174	5
65/617	90W LED FLOOD LIGHT	90	200W	100-277V	Bronze	4000K	12651	80	50000	045923674181	5
65/618	90W LED FLOOD LIGHT	90	200W	100-277V	Bronze	5000K	12758	80	50000	045923674198	5
65/619	150W LED FLOOD LIGHT	150	400W	100-277V	Bronze	4000K	19500	80	50000	045923674204	1
65/620	150W LED FLOOD LIGHT	150	400W	100-277V	Bronze	5000K	20250	80	50000	045923674211	1

Accessories

65-604	TRUNNION MOUNT 70W, 90W & 150W FLOOD – Bronze									045923674433	20
65-605	YOKE MOUNT 70W, 90W & 150W FLOOD – Bronze									045923674440	20
65-609	SLIP-FITTER MNT 70W, 90W & 150W FLOOD – Bronze									045923656095	8
65-610	DIRECT ARM MNT 70W, 90W & 150W FLOOD – Bronze									045923656101	6
65-613	UNIVERSAL MNT 70W, 90W & 150W FLOOD – Bronze									045923674457	6
86-212	PHOTOCELL 70W, 90W & 150W FLOOD – INCLUDES ALL COMPONENTS									045923862120	50

Product sheet NU1604-2

See warranty for details.

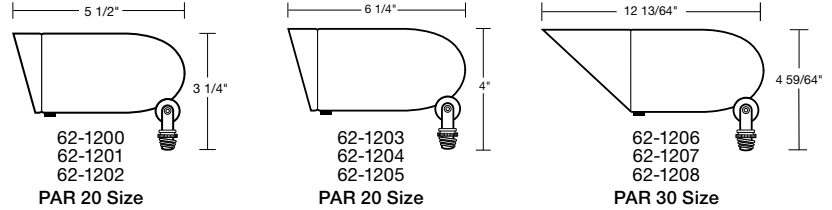


See warranty for details.

Landscape Floods

Features

- 6W and 9W and 12W versions
- Dark gray, light gray or bronze finish
- Rugged construction
- No transformer required
- Easy installation
- UV stabilized powder coated finish
- cULus
- 1/2" Threaded knuckle mount
- 50,000 Hour life
- 5 Year warranty



Accessories



Landscape Floods

Item Number	Lamp Description	W	V	Finish	CCT	Lm	CRI	Life/Hrs.	UPC	Pack
62-1200	6W LED LANDSCAPE FLOOD	6	120	BRONZE	3000K	640	80	50K	045923680168	12
62-1201	6W LED LANDSCAPE FLOOD	6	120	DARK GRAY	3000K	640	80	50K	045923512018	12
62-1202	6W LED LANDSCAPE FLOOD	6	120	LIGHT GRAY	3000K	640	80	50K	045923512025	12
62-1203	9W LED LANDSCAPE FLOOD	9	120	DARK GRAY	3000K	900	80	50K	045923512032	12
62-1204	9W LED LANDSCAPE FLOOD	9	120	LIGHT GRAY	3000K	900	80	50K	045923512049	12
62-1205	9W LED LANDSCAPE FLOOD	9	120	BRONZE	3000K	900	80	50K	045923680175	12
62-1206	12W LED LANDSCAPE FLOOD	12	120	BRONZE	3000K	1240	80	50K	045923621215	12
62-1207	12W LED LANDSCAPE FLOOD	12	120	DARK GRAY	3000K	1240	80	50K	045923621222	12
62-1208	12W LED LANDSCAPE FLOOD	12	120	LIGHT GRAY	3000K	1240	80	50K	045923621239	12
Accessories	Description			Finish					UPC	Pack
60-673	1 LIGHT DIE CAST MOUNTING PLATE			LIGHT GRAY					045923606731	96
60-674	2 LIGHT DIE CAST MOUNTING PLATE			LIGHT GRAY					045923606748	96
60-675	1 LIGHT DIE CAST MOUNTING PLATE			DARK GRAY					045923606755	96
60-676	2 LIGHT DIE CAST MOUNTING PLATE			DARK GRAY					045923606762	96
76-665	1 LIGHT DIE CAST MOUNTING PLATE			BRONZE					045923766657	24
76-666	2 LIGHT DIE CAST MOUNTING PLATE			BRONZE					045923766664	96
60-677	2" DIAMETER PVC MOUNTING POST			DARK GRAY					045923606779	24
60-678	3" DIAMETER PVC MOUNTING POST			DARK GRAY					045923606786	24
60-679	2" DIAMETER PVC MOUNTING POST			LIGHT GRAY					045923606793	24
60-680	3" DIAMETER PVC MOUNTING POST			LIGHT GRAY					045923606809	24
76-641	3" DIAMETER PVC MOUNTING POST			BRONZE					045923766411	24
76-640	2" DIAMETER PVC MOUNTING POST			BRONZE					045923766404	24

Product sheet NU1394

See warranty for details.

Small wall pack with photocell

Features

- Maintenance free—no bulb to change
- Consistent, even light distribution
- Black, Bronze or White finish
- Die cast aluminum body
- Rugged, impact-resistant polycarbonate frosted lens
- Built-in over-ridable photocell
- Wall-mount—recessed: junction box required
- 100-150 Watt MH equivalent
- 4000K and 5000K options
- 100° Beam angle
- 2KV Surge protection
- Operating temperature -20°C to 45°C
- IP65
- 5 Year warranty



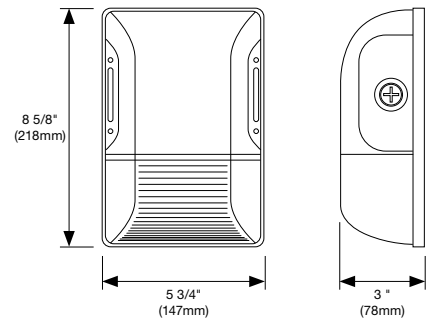
65-265, 65-266



65-267, 65-268



65-269, 65-270



Small Wall Pack with Photocell



Item Number	Description	Finish	W	V	CCT	Lm	Life/Hrs.	CRI	MH Equiv.	UPC	Pk
65-265	LED SMALL WALL PACK W/PHOTOCELL	BLACK/20W/4000K	20	100-277V	4000K	2669	50000	80	100-150W	045923680717	10
65-266	LED SMALL WALL PACK W/PHOTOCELL	BLACK/20W/5000K	20	100-277V	5000K	2761	50000	80	100-150W	045923680724	10
65-267	LED SMALL WALL PACK W/PHOTOCELL	BRONZE/20W/4000K	20	100-277V	4000K	2669	50000	80	100-150W	045923680731	10
65-268	LED SMALL WALL PACK W/PHOTOCELL	BRONZE/20W/5000K	20	100-277V	5000K	2761	50000	80	100-150W	045923680748	10
65-269	LED SMALL WALL PACK W/PHOTOCELL	WHITE/20W/4000K	20	100-277V	4000K	2669	50000	80	100-150W	045923680755	10
65-270	LED SMALL WALL PACK W/PHOTOCELL	WHITE/20W/5000K	20	100-277V	5000K	2761	50000	80	100-150W	045923680762	10

Product sheet NU1547

See warranty for details.



65-677
(shown at 45°)



65-677
(shown at 0°)



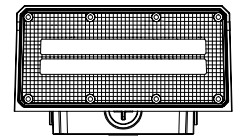
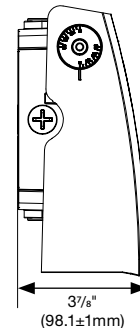
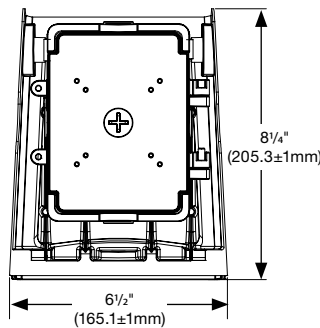
Adjusts from 0° to 90°

CCT Selectable adjustable wall pack

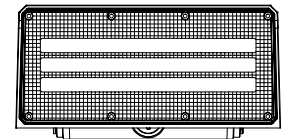
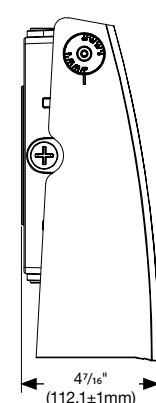
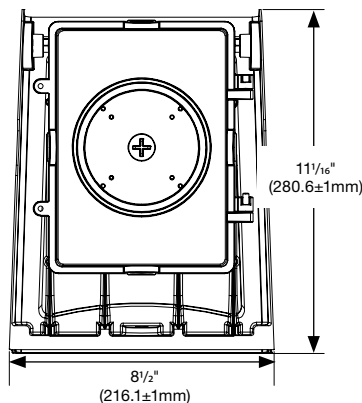
Features

- CCT Selectable – 3500K/4000K/5000K
- Maintenance free—no bulb to change
- Consistent, even, light distribution
- Adjusts from 0° to 90°
- Die-cast aluminum body
- UV stabilized powder coated
- Bronze finish
- Impact resistant polycarbonate lens
- Unique adjustable design
- 4KV Surge protection
- IP65
- 5 Year warranty

65-677, 65-678



65-679, 65-680



FLOODS/WALL PACKS

CCT Adjustable Wall Pack



Item Number	Description	W	V	CCT	Lm	Life/Hrs.	CRI	MH Equiv.	UPC	Pack
65-677	28W ADJUSTABLE WALL PACK	28	120-277V	3000K/4000K/5000K	3360-3500	50,000	80	70W-100W	045923655357	4
65-678	40W ADJUSTABLE WALL PACK	40	120-277V	3000K/4000K/5000K	4800-5000	50,000	80	100W-150W	045923655395	4
65-679	60W ADJUSTABLE WALL PACK	60	120-277V	3000K/4000K/5000K	7200-7500	50,000	80	150W-200W	045923655401	4
65-680	80W ADJUSTABLE WALL PACK	80	120-277V	3000K/4000K/5000K	9600-10000	50,000	80	250W	045923655494	4

Accessories

86-205	Add-on Photocell for LED Wall Pack Fixture								045923862052	1
--------	--	--	--	--	--	--	--	--	--------------	---

Product sheet NU1625

See warranty for details.

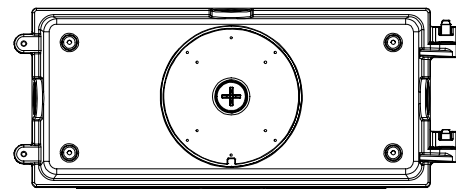
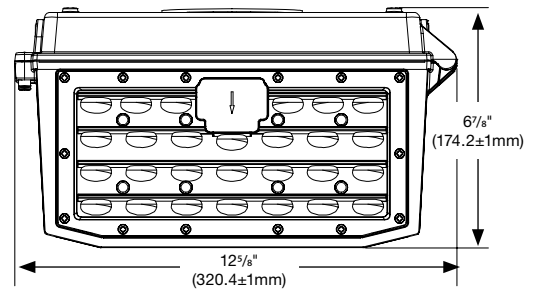
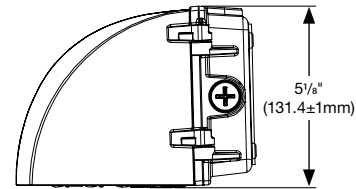


65-671



ColorQuick™
Selectable Color Technology

Switch to/from the following CCT



CCT Selectable full cutoff wall pack

Features

- CCT Selectable – 3500K/4000K/5000K
- Maintenance free—no bulb to change
- Consistent, even, light distribution
- Die-cast aluminum body
- UV stabilized powder coated Bronze finish
- Impact resistant polycarbonate lens
- Full cutoff design
- 4KV Surge protection
- IP65
- 5 Year warranty

CCT Selectable Full Cutoff Wall Pack



Item Number	Description	W	V	CCT	Lm	Life/Hrs.	CRI	MH Equiv.	UPC	Pack
65-671	40W FULL CUTOFF WALL PACK	40	120-277V	3000K/4000K/5000K	4800~5000	50,000	80	100W-150W	045923655265	1
65-672	60W FULL CUTOFF WALL PACK	60	120-277V	3000K/4000K/5000K	7200~7500	50,000	80	150W-200W	045923655272	1
65-673	80W FULL CUTOFF WALL PACK	80	120-277V	3000K/4000K/5000K	9600~10000	50,000	80	250W	045923655289	1

Accessories

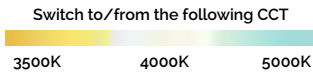
86-205	Add-on Photocell for LED Wall Pack Fixture								045923862052	1
--------	--	--	--	--	--	--	--	--	--------------	---

Product sheet NU1625

See warranty for details.



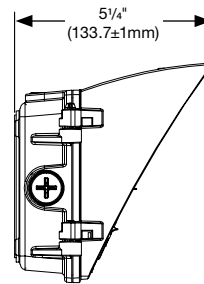
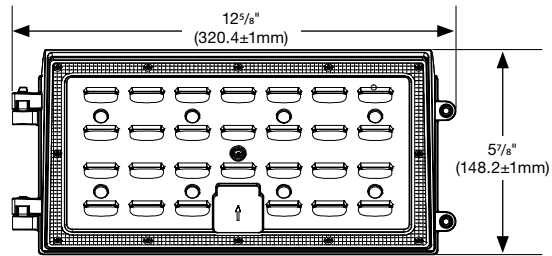
65-674



CCT Selectable semi cutoff wall pack

Features

- CCT Selectable – 3500K/4000K/5000K
- Maintenance free—no bulb to change
- Consistent, even, light distribution
- Die-cast aluminum body
- UV stabilized powder coated Bronze finish
- Impact resistant polycarbonate lens
- Semi cutoff design
- 4KV Surge protection
- IP65
- 5 Year warranty



FLOODS/WALL PACKS



CCT Selectable Semi Cutoff Wall Pack

Item Number	Description	W	V	CCT	Lm	Life/Hrs.	CRI	MH Equiv.	UPC	Pack
65-674	40W SEMI CUTOFF WALL PACK	40	120-277V	3000K/4000K/5000K	4800~5000	50,000	80	100W-150W	045923655296	1
65-675	60W SEMI CUTOFF WALL PACK	60	120-277V	3000K/4000K/5000K	7200~7500	50,000	80	150W-200W	045923655302	1
65-676	80W SEMI CUTOFF WALL PACK	80	120-277V	3000K/4000K/5000K	9600~10000	50,000	80	250W	045923655340	1

Accessories

86-205	Add-on Photocell for LED Wall Pack Fixture								045923862052	1
--------	--	--	--	--	--	--	--	--	--------------	---

Product sheet NU1625

See warranty for details.

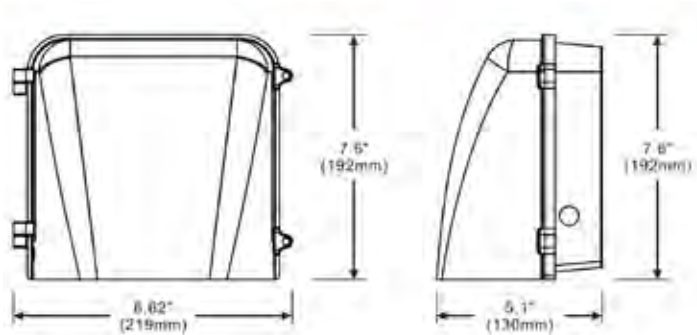
Full cutoff small wall pack



Features

- Bronze finish
- Rugged construction
- Die-cast aluminum body
- High impact resistant tempered glass
- UV stabilized powder coated finish
- 40°C Starting temperature
- 11W, 70W MH equivalent
- 18W, 100W MH equivalent
- 27W, 150W MH equivalent
- 100,000 Hour life
- Type II Light distribution
- 5 Year warranty

Dimensions



Full Cutoff Small Wall Pack

Item Number	Lamp Description	W	V	Finish	CCT	Lm	CRI	Life/Hrs.	UPC	Pack/Mstr.
65-131	11W SMALL WALL PACK	11	120-277	Bronze	5000K	1575	70	100K	045923671319	1
65-132	18W SMALL WALL PACK	18	120-277	Bronze	5000K	2407	70	100K	045923671326	1
65-133	27W SMALL WALL PACK	27	120-277	Bronze	5000K	3315	70	100K	045923671333	1

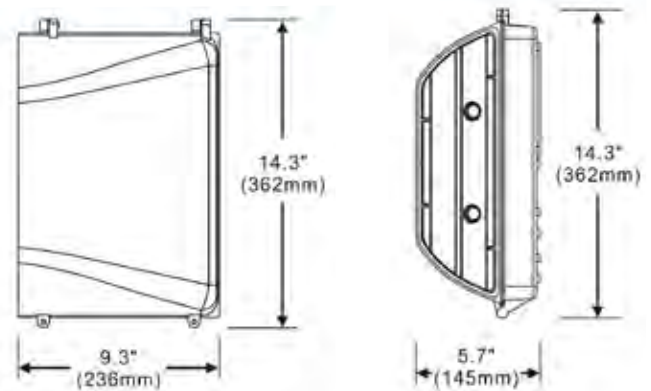
Product sheet NU1390

See warranty for details.

Full cutoff large wall pack

Features

- Bronze finish
- Rugged construction
- Die-cast aluminum body
- High impact resistant tempered glass
- UV stabilized powder coated finish
- 40°C Starting temperature
- 36W, 100W MH equivalent
- 49W, 100–250W MH equivalent
- 76W, 250W MH equivalent
- 100,000 Hour life
- Type II Light distribution
- 5 Year warranty



Full Cutoff Large Wall Pack



Item Number	Lamp Description	W	V	Finish	CCT	Lm	CRI	Life/Hrs.	UPC	Pack/Mstr.
65-134	36W LARGE WALL PACK	36	120-277	Bronze	5000K	5075	70	100K	045923671340	1
65-135	49W LARGE WALL PACK	49	120-277	Bronze	5000K	6347	70	100K	045923671357	1
65-136	76W LARGE WALL PACK	76	120-277	Bronze	5000K	9174	70	100K	045923671364	1

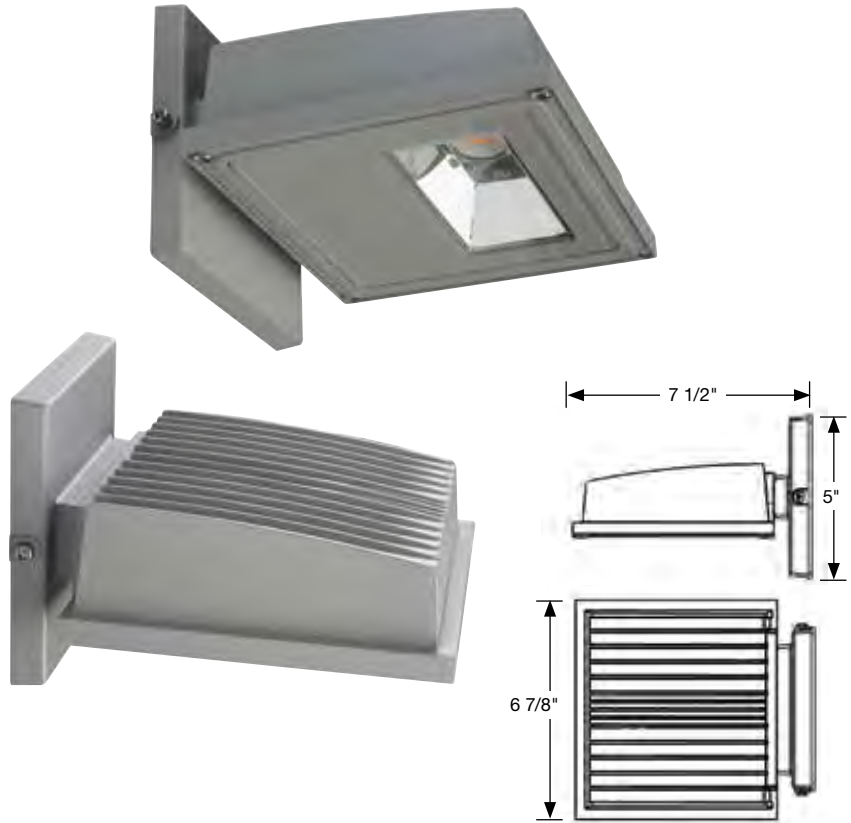
Product sheet NU1391

See warranty for details.

Full cutoff small wall pack

Features

- White or gray finish
- Rugged construction
- Die-cast aluminum body
- High impact resistant tempered glass
- UV stabilized powder coated finish
- 60° Beam angle
- 25°C Starting temperature
- 3000K or 4000K
- 3000K Dark sky certified†
- 11W, 70W MH equivalent
- 15W, 100W MH equivalent
- 5 Year warranty



Full Cutoff Small Wall Pack

Item Number	Lamp Description	W	V	Finish	CCT	Lm	CRI	Dimensions	Life/Hrs.	UPC	Pk./Mstr.
65-151†	11W LED WALL PACK	11	120-277	Gray	3000K	1255	80	6 7/8" W x 7 1/2" L x 5" H	50K	045923671517	12
65-152	11W LED WALL PACK	11	120-277	Gray	4000K	1261	80	6 7/8" W x 7 1/2" L x 5" H	50K	045923671524	12
65-153†	11W LED WALL PACK	11	120-277	White	3000K	1255	80	6 7/8" W x 7 1/2" L x 5" H	50K	045923671531	12
65-154	11W LED WALL PACK	11	120-277	White	4000K	1261	80	6 7/8" W x 7 1/2" L x 5" H	50K	045923671548	12
65-155†	15W LED WALL PACK	15	120-277	Gray	3000K	1650	80	6 7/8" W x 7 1/2" L x 5" H	50K	045923671555	12
65-156	15W LED WALL PACK	15	120-277	Gray	4000K	1688	80	6 7/8" W x 7 1/2" L x 5" H	50K	045923671562	12
65-157†	15W LED WALL PACK	15	120-277	White	3000K	1650	80	6 7/8" W x 7 1/2" L x 5" H	50K	045923671579	12
65-158	15W LED WALL PACK	15	120-277	White	4000K	1688	80	6 7/8" W x 7 1/2" L x 5" H	50K	045923671586	12

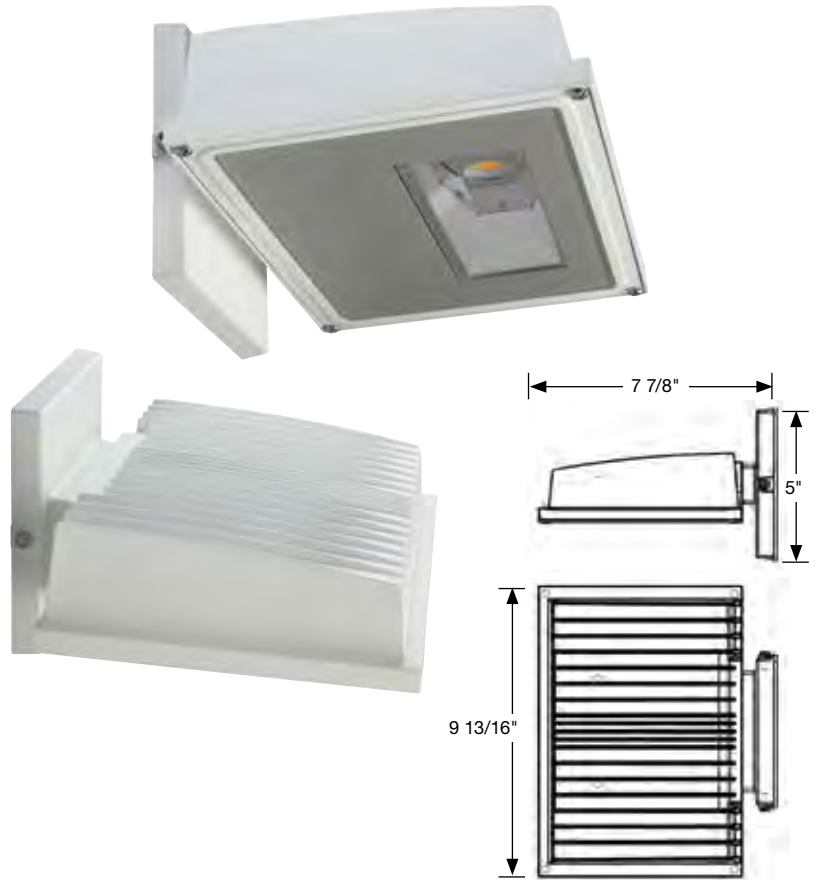
Product sheet NU1411

See warranty for details.

Full cutoff large wall pack

Features

- White or gray finish
- Rugged construction
- Die-cast aluminum body
- High impact resistant tempered glass
- UV stabilized powder coated finish
- 60° Beam angle
- 25°C Starting temperature
- 3000K or 4000K
- 3000K Dark sky certified†
- 21W, 100W MH equivalent
- 30W, 150W MH equivalent
- 5 Year warranty



FLOODS/WALL PACKS

Full Cutoff Large Wall Pack



Item Number	Lamp Description	W	V	Finish	CCT	Lm	CRI	Dimensions	Life/Hrs.	UPC	Pk./Mstr.
65-159†	21W LED WALL PACK	21	120-277	Gray	3000K	2310	80	9 13/16" W x 7 7/8" L x 5" H	50K	045923671593	8
65-160	21W LED WALL PACK	21	120-277	Gray	4000K	2346	80	9 13/16" W x 7 7/8" L x 5" H	50K	045923671609	8
65-161†	21W LED WALL PACK	21	120-277	White	3000K	2310	80	9 13/16" W x 7 7/8" L x 5" H	50K	045923671616	8
65-162	21W LED WALL PACK	21	120-277	White	4000K	2346	80	9 13/16" W x 7 7/8" L x 5" H	50K	045923671623	8
65-163†	30W LED WALL PACK	30	120-277	Gray	3000K	2884	80	9 13/16" W x 7 7/8" L x 5" H	50K	045923671630	8
65-164	30W LED WALL PACK	30	120-277	Gray	4000K	3339	80	9 13/16" W x 7 7/8" L x 5" H	50K	045923671647	8
65-165†	30W LED WALL PACK	30	120-277	White	3000K	2884	80	9 13/16" W x 7 7/8" L x 5" H	50K	045923671654	8
65-166	30W LED WALL PACK	30	120-277	White	4000K	3339	80	9 13/16" W x 7 7/8" L x 5" H	50K	045923671661	8

†DLC Standard

Product sheet NU1412

See warranty for details.

13W Wall pack with photo control

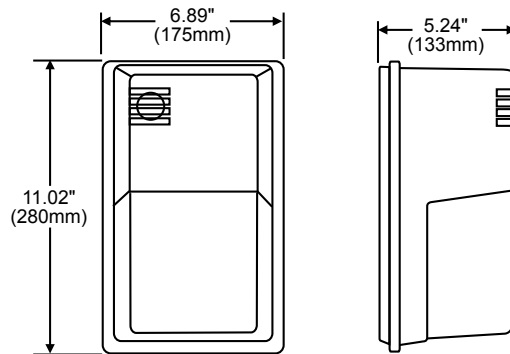
Bronze Finish / Prismatic Lens

Features

- Die-cast aluminum body
- UV stabilized powder coated finish
- Prismatic lens for uniform light distribution
- Photo control – On at dusk / Off at dawn
- 5 Year warranty
- 50-70W MH Equivalent
- Operating temperature: -40°C to 40°C
- Long life—42,000 hours



Dimensions



13W Wall Pack with Photo Control

120 VOLT

42,000 HOURS

70 CRI

WET LOCATION

RoHS COMPLIANT

UL LISTED WET LOCATION

Item Number	Description	W	V	CRI	CCT	Total Lms*	Lms/Watt	Dimensions	Equivalent	UPC	Pack
65-062	LED ENTRANCE LIGHT 13W - PHOTO CELL BRONZE/PRISMATIC LENS	13	120	70	5000K	908	58	6 7/8" W x 11" H x 5 1/4" Ext.	50-70W MET. HAL.	045923630620	6

Product sheet NU1583

See warranty for details.



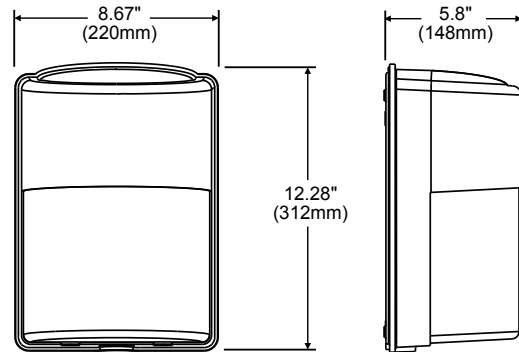
26W Wall pack

Bronze Finish / Prismatic Lens

Features

- Die-cast aluminum body
- UV stabilized powder coated finish
- Prismatic lens for uniform light distribution
- 5 Year warranty
- 70-100W MH Equivalent
- Operating temperature: -40°C to 40°C
- Long life—35,000 hours

Dimensions



26W Wall Pack

120-277V

35,000 HOURS

70 CRI

WET LOCATION

RoHS COMPLIANT

UL LISTED WET LOCATION

Item Number	Description	W	V	CRI	CCT	Total Lms*	Lms/Watt	Dimensions	Equivalent	UPC	Pack
65-063	LED ENTRANCE LIGHT 26W BRONZE/PRISMATIC LENS	26	120-277	70	5000K	1691	65	8 1/16" W x 12 1/4" H x 5 13/16" Ext.	70-100W MET. HAL.	045923630637	6

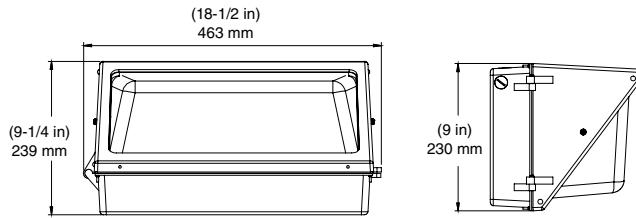
Product sheet NU1584

See warranty for details.

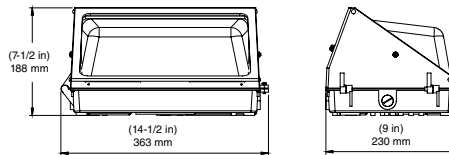


65-235, 65-236, 65-237, 65-238

Traditional wall pack



65-231, 65-232, 65-233, 65-234



Features

- Maintenance free—no bulb to change
- Consistent, even light distribution
- Die-cast aluminum body
- UV stabilized powder coated finish
- Bronze finish
- Heat and impact resistant borosilicate glass lens
- 4000K and 5000K options
- Optional microwave sensor with dusk to dawn functionality
- Approved for wet locations
- IP65
- 5 Year warranty



Traditional Wall Pack

Item Number	Description	W	V	CCT	Lm	Life/ Hrs.	CRI	MH Equiv.	UPC	Pk
65-231	LED 42W WALL PACK - 4000K	42	100-277V	4000K	5040	50,000	75	100-150W	045923680434	1
65-232	LED 42W WALL PACK - 5000K	42	100-277V	5000K	5250	50,000	75	100-150W	045923680441	1
65-233	LED 60W WALL PACK - 4000K	60	100-277V	4000K	7500	50,000	75	150-200W	045923680458	1
65-234	LED 60W WALL PACK - 5000K	60	100-277V	5000K	7680	50,000	75	150-200W	045923680465	1
65-235	LED 95W WALL PACK - 4000K	95	100-277V	4000K	12065	50,000	75	250W	045923680472	1
65-236	LED 95W WALL PACK - 5000K	95	100-277V	5000K	12635	50,000	75	250W	045923680489	1
65-237	LED 120W WALL PACK - 4000K	120	100-277V	4000K	15010	50,000	75	400W	045923680496	1
65-238	LED 120W WALL PACK - 5000K	120	100-277V	5000K	15498	50,000	75	400W	045923680502	1
Accessories										
86-205	Add-on Photocell for LED Wall Pack Fixture								045923862052	1
86-206	Add-on Microwave Sensor for LED Wall Pack Fixture								045923862069	1

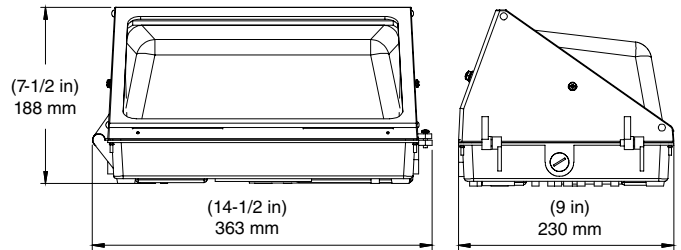
Product sheet NU1533

See warranty for details.

Traditional premium wall pack

Features

- Maintenance free—no bulb to change
- Consistent, even light distribution
- Die-cast aluminum body
- UV stabilized powder coated finish
- Bronze finish
- Heat and impact resistant borosilicate glass lens
- 4000K and 5000K options
- Optional microwave sensor with dusk to dawn functionality
- Approved for wet locations
- IP65
- 5 Year warranty



Traditional Premium Wall Pack



Item Number	Description	W	V	CCT	Lm	Life/Hrs.	CRI	MH Equiv.	UPC	Pack
65-239	LED Premium 38W WALL PACK - 4000K	38	100-277V	4000K	5510	50,000	75	100-150W	045923680519	1
65-240	LED Premium 38W WALL PACK - 5000K	38	100-277V	5000K	5624	50,000	75	100-150W	045923680526	1
65-241	LED Premium 55W WALL PACK - 4000K	55	100-277V	4000K	7975	50,000	75	150-200W	045923680533	1
65-242	LED Premium 55W WALL PACK - 5000K	55	100-277V	5000K	8140	50,000	75	150-200W	045923680540	1
Accessories										
86-205	Add-on Photocell for LED Wall Pack Fixture								045923862052	1
86-206	Add-on Microwave Sensor for LED Wall Pack Fixture								045923862069	1

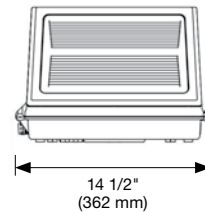
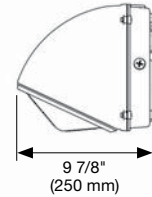
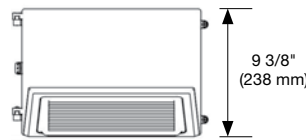
Product sheet NU1538

See warranty for details.

Semi-cutoff wall packs and emergency battery backup wall packs

Features

- Maintenance free—no bulb to change
- Consistent, even light distribution
- Bronze finish
- Die-cast aluminum body
- Unique cut off design
- UV stabilized powder coated finish
- Heat and impact-resistant borosilicate glass lens
- 35W, 55W, 80W, 100W and 120W options
- 55W w/ built-in emergency battery backup
- Available add-on photocell
- 100-400 Watt MH equivalent
- 4000K and 5000K options
- Operating temperature -20°C to 45°C
- IP65
- 5 Year warranty



Battery operation
 90 min. runtime
 16 W
 ~1120 lumens
 Not compatible with add-on photocell

Semi-Cutoff Wall Packs and Emergency Battery Backup Wall Packs



Item Number	Description	W	V	CCT	Lm	Life/Hrs.	CRI	MH Equiv.	UPC	Pk
65-251	LED CUTOFF WALL PACK 35W/4K	35	100-277V	4000K	4822	50000	80	100-150W	045923680595	1
65-252	LED CUTOFF WALL PACK 35W/5K	35	100-277V	5000K	4990	50000	80	100-150W	045923680601	1
65-253	LED CUTOFF WALL PACK 55W/4K	55	100-277V	4000K	7552	50000	80	150-200W	045923680618	1
65-254	LED CUTOFF WALL PACK 55W/5K	55	100-277V	5000K	7598	50000	80	150-200W	045923680625	1
65-255	LED CUTOFF WALL PACK 80W/4K	80	100-277V	4000K	9968	50000	80	250W	045923680632	1
65-256	LED CUTOFF WALL PACK 80W/5K	80	100-277V	5000K	10113	50000	80	250W	045923680649	1
65-257	LED CUTOFF WALL PACK 100W/4K	100	100-277V	4000K	12605	50000	80	250-300W	045923680656	1
65-258	LED CUTOFF WALL PACK 100W/5K	100	100-277V	5000K	12734	50000	80	250-300W	045923680663	1
65-259	LED CUTOFF WALL PACK 120W/4K	120	100-277V	4000K	15102	50000	80	400W	045923680670	1
65-260	LED CUTOFF WALL PACK 120W/5K	120	100-277V	5000K	15697	50000	80	400W	045923680687	1

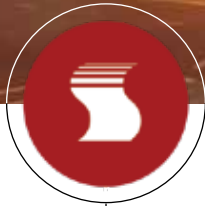
Emergency battery backup options										
65-261	LED EM CUTOFF WALL PACK 55W/4K	55	100-277V	4000K	7552	50000	80	150-200W	045923680694	1
65-262	LED EM CUTOFF WALL PACK 55W/5K	55	100-277V	5000K	7598	50000	80	150-200W	045923680700	1

Accessories										
86-205	Add-on photocell								045923862052	1

Product sheet NU1546

See warranty for details.

VERSATILITY AND VALUE-PACKED, SATCO'S COLORQUICK™ CANOPY FIXTURES



**COLOR SELECTABLE -
3000K / 4000K / 5000K**

DLC PREMIUM CERTIFIED

5 WATTAGE OPTIONS

1-10V DIMMING

IP65

**PENDANT MOUNTING
OPTION**

Our latest LED canopy fixture combines rugged construction and versatility. With selectable color temperature (3000K/4000K/5000K) and surface and pendant mount options, these canopy lights can cover a multitude of applications. Our LED canopy fixtures are easy to install and at home in tough environments.

CANOPY/AREA/WALL

Product sheet NU1606

See warranty for details.



ColorQuick™

Selectable Color Technology

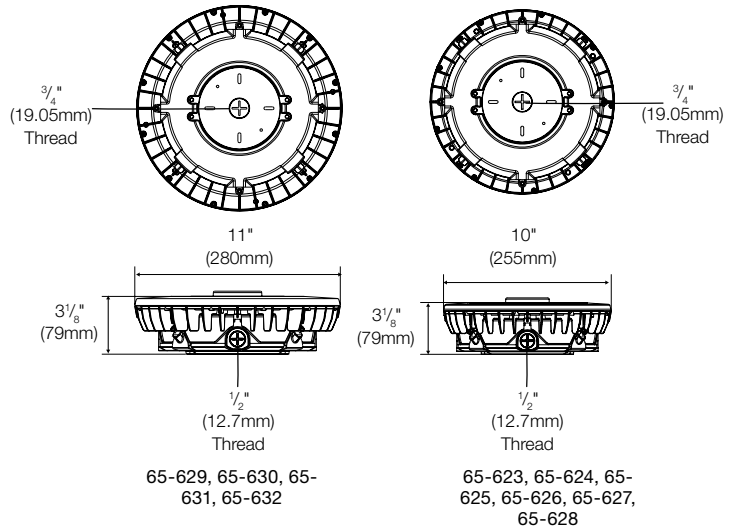
Switch to/from the following CCT



Round canopy with selectable CCT

Features

- CCT Selectable – 3500K/4000K/5000K
- Die-cast aluminum body
- 25W, 40W, 55W, 75W and 100W options
- White or bronze finish
- UV stabilized powder coated finish
- Ceiling or 3/4" pendant mounting
- Broad, even light distribution
- Beam angle 150°
- Operating temperature: -40°C to 50°C
- IP65
- Rated 50,000 hours
- 5 Year warranty



Round Canopy with Selectable CCT

Item #	Lamp Description	W	V	Finish	CRI	CCT	Lm	Bm	Life-Hrs	UPC	Pk-Master
65-623	25W LED CANOPY LIGHT	25W	100-277V	White	80	3000/4000/5000	2800~3322	150°	50K	045923674228	4
65-624	25W LED CANOPY LIGHT	25W	100-277V	Bronze	80	3000/4000/5000	2800~3322	150°	50K	045923674235	4
65-625	40W LED CANOPY LIGHT	40W	100-277V	White	80	3000/4000/5000	4425~5293	150°	50K	045923674242	4
65-626	40W LED CANOPY LIGHT	40W	100-277V	Bronze	80	3000/4000/5000	4425~5293	150°	50K	045923674259	4
65-627	55W LED CANOPY LIGHT	55W	100-277V	White	80	3000/4000/5000	6297~7546	150°	50K	045923674266	4
65-628	55W LED CANOPY LIGHT	55W	100-277V	Bronze	80	3000/4000/5000	6297~7546	150°	50K	045923674273	4
65-629	75W LED CANOPY LIGHT	75W	100-277V	White	80	3000/4000/5000	8876~10485	150°	50K	045923674280	2
65-630	75W LED CANOPY LIGHT	75W	100-277V	Bronze	80	3000/4000/5000	8876~10485	150°	50K	045923674297	2
65-631	100W LED CANOPY LIGHT	100W	100-277V	White	80	3000/4000/5000	11946~13999	150°	50K	045923674303	2
65-632	100W LED CANOPY LIGHT	100W	100-277V	Bronze	80	3000/4000/5000	11946~13999	150°	50K	045923674310	2

Accessories

86-213	ADD-ON MICROWAVE SENSOR									045923862137	50
--------	-------------------------	--	--	--	--	--	--	--	--	--------------	----

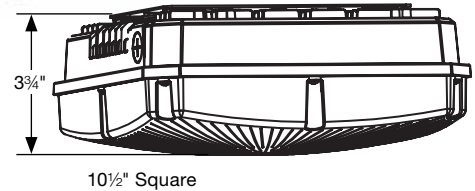
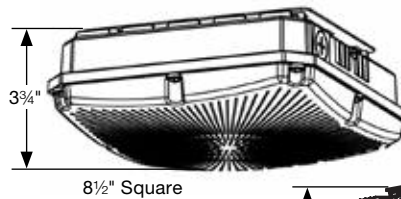
Product sheet NU1605

See warranty for details.

Square low profile canopy

Features

- Die-cast aluminum body
- 8.5" & 10" sizes
- Bronze finish
- UV stabilized powder coated finish
- Ceiling or 3/4" pendant mounting
- IP65
- Broad, even light distribution
- 150-200W MH Equivalent
- Operating temperature: -40°C to 40°C
- 5 Year warranty



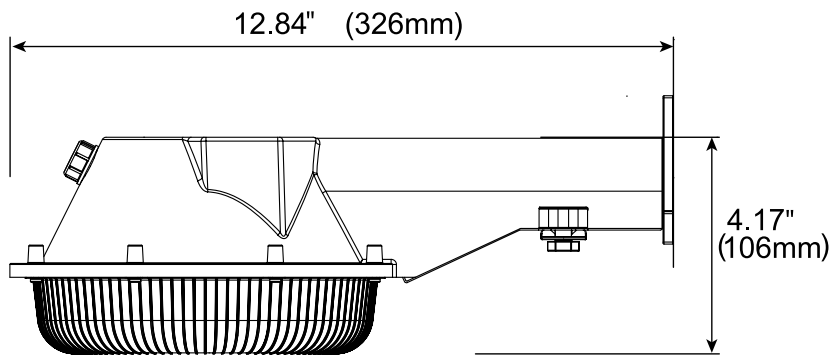
Square Low Profile Canopy



Item Number	Description	W	V	CRI	CCT	Total Lms*	Dimming	Life/Hrs.	UPC	Pack
65-138	8.5" LED Canopy Light	28	120-277	80	4000K	3360	1-10V	50K	045923531385	6
65-139	8.5" LED Canopy Light	28	120-277	80	5000K	3360	1-10V	50K	045923682438	6
65-140	8.5" LED Canopy Light	40	120-277	80	4000K	4800	1-10V	50K	045923531408	6
65-141	8.5" LED Canopy Light	40	120-277	80	5000K	4800	1-10V	50K	045923682445	6
65-142	10" LED Canopy Light	28	120-277	80	4000K	3360	1-10V	50K	045923531422	4
65-143	10" LED Canopy Light	28	120-277	80	5000K	3360	1-10V	50K	045923682452	4
65-144	10" LED Canopy Light	40	120-277	80	4000K	4800	1-10V	50K	045923531446	4
65-145	10" LED Canopy Light	40	120-277	80	5000K	4800	1-10V	50K	045923682469	4
65-146	10" LED Canopy Light	60	120-277	80	4000K	7200	1-10V	50K	045923531460	4
65-147	10" LED Canopy Light	60	120-277	80	5000K	7200	1-10V	50K	045923682476	4
65-148	10" LED Canopy Light	70	120-277	80	4000K	8400	1-10V	50K	045923531484	4
65-149	10" LED Canopy Light	70	120-277	80	4000K	8400	1-10V	50K	045923682483	4
Accessories										
86-203	Add-on Microwave Sensor								045923862038	100
86-204	Add-on Photocell								045923862045	100

Product sheet NU1521

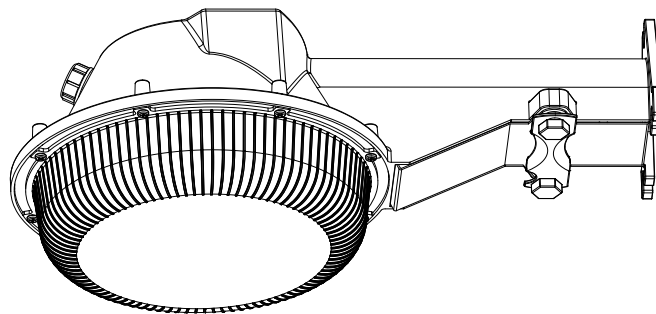
See warranty for details.



Area light with built-in photocell

Features

- DLC & UL listed
- Black finish
- Rugged polycarbonate construction
- Impact-resistant lens
- Built-in photocell with cover
- Wall-mount—recessed junction box required
- 4000K and 5000K options
- Operating temperature -30°C to 50°C
- IP65
- 5 Year warranty



Area Light with Built-in Photocell



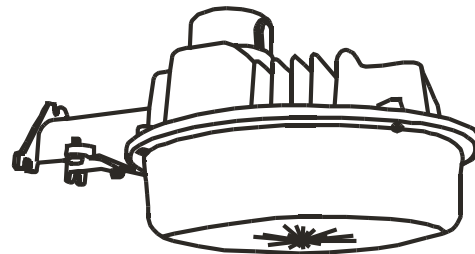
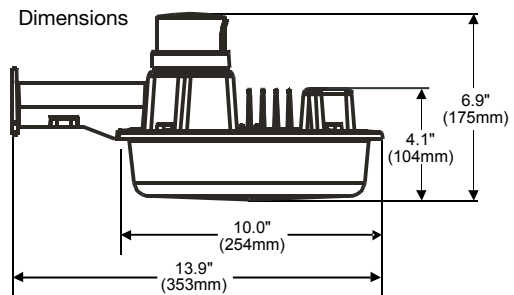
Item Number	Lamp Description	W	V	CRI	CCT	Lm	Life/Hrs.	UPC	Pack
65-244	25W LED AREA LIGHT W/PHOTOCELL	25	100-277	80	4000K	2250	50K	045923680984	2
65-245	25W LED AREA LIGHT W/PHOTOCELL	25	100-277	80	5000K	2250	50K	045923680991	2

Product sheet NU1534

See warranty for details.



65-055, 65-054



Accessories



Aluminum Anodized Arm
Item no. 65-084

Wall mount carport/parking area

Gray Finish / Polycarbonate Diffuser

Features

- DLC & UL listed
- Die-cast aluminum body
- UV stabilized powder coated finish
- Uniform light distribution
- Photo control – On at dusk / Off at dawn
- 5 Year warranty
- 150-200W MH Equivalent
- Operating temperature: -40°C to 40°C



Wall Mount Carport/Parking Area

Item Number	Description	W	V	CRI	CCT	Total Lms	Lms/Watt	Dimensions	Equivalent	UPC	Pack
65-055	LED AREA LIGHT 41W GRAY FINISH	41	120	70	5000K	3194	77	10" W x 6 7/8" H x 9 7/8" Ext.	150-200W MET. HAL.	045923630552	6
65-054*	LED AREA LIGHT 58W GRAY FINISH	58	120	70	5000K	5441	93	10" W x 6 7/8" H x 9 7/8" Ext.	200W MET. HAL.	045923630545	6
Accessories											
65-084	ALUMINUM ANODIZED ARM FOR CARPORT/PARKING AREA FIXTURE							21"		045923630842	4

Product sheet NU1574

See warranty for details.

Polycarbonate adjustable vapor tight

Features:

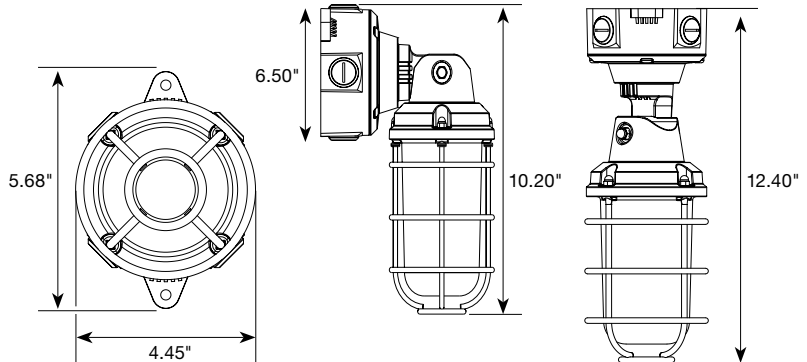
- 90° Adjustable arm
- Wall or ceiling mount
- Protective steel cage
- 3000K, 4000K, 5000K options
- 100-277V
- Operating temp. -40°C to 45°C
- 1/2" Conduit openings on all 4 sides
- IP65
- 5 Year warranty



Fixture adjusts a full 90° in multiple increments.



Fixture adjusts 90°



Polycarbonate Adjustable Vapor Tight

100-277V
50,000 HOURS
80 CRI
WET LOCATION
UL LISTED

Item Number	Description	W	Voltage	Finish	CCT	Lm	CRI	Life/Hrs.	UPC	Case Pack
65-171	LED 20W Adjustable Vapor Tight - 3000K	20	100-277V	Gray	3000K	2050	80+	50K	045923671715	6
65-172	LED 20W Adjustable Vapor Tight - 4000K	20	100-277V	Gray	4000K	2150	80+	50K	045923671729	6
65-173	LED 20W Adjustable Vapor Tight - 5000K	20	100-277V	Gray	5000K	2200	80+	50K	045923671736	6

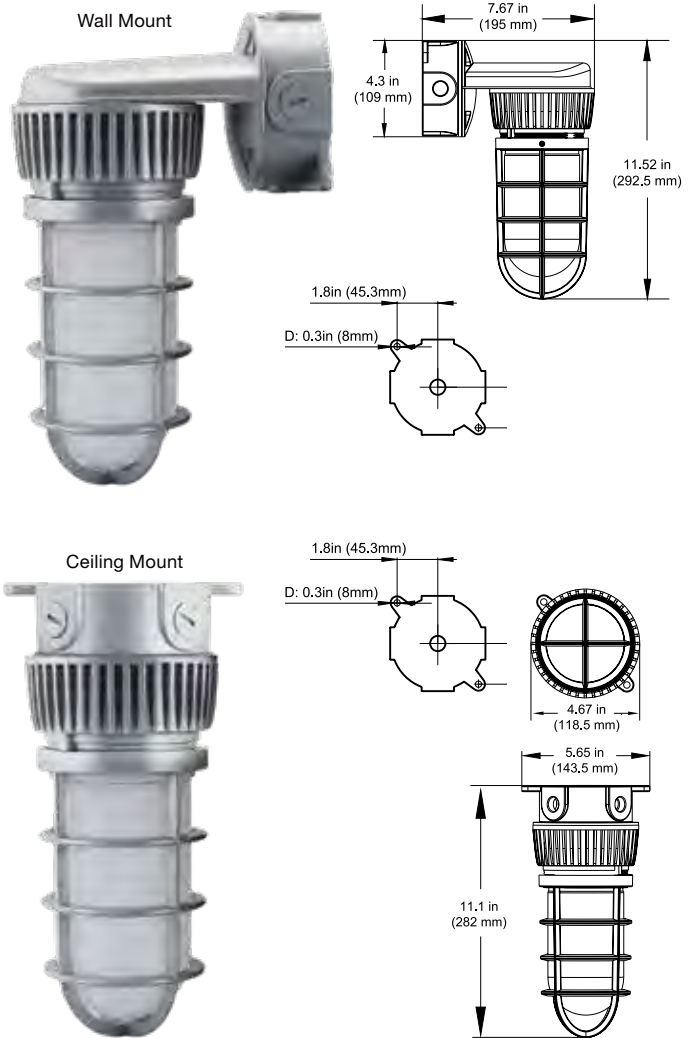
Product sheet NU1488

See warranty for details.

Die-cast vapor tight

Features

- Wall or ceiling mount versions
- Die-cast aluminum body
- UV stabilized powder coated finish
- Silver finish
- 4000K and 5000K options
- IP65
- 5 Year warranty



Die-Cast Vapor Tight



Item Number	Lamp Description	W	V	CRI	CCT	Lm	Life/Hrs.	UPC	Pack
WALL MOUNT									
65-223	LED 20W Wall Mount Vapor Tight - 4000K	20	100-277	80+	4000K	1800	50K	045923680557	2
65-224	LED 20W Wall Mount Vapor Tight - 5000K	20	100-277	80+	5000K	1800	50K	045923680564	2
CEILING MOUNT									
65-225	LED 20W Ceiling Mount Vapor Tight - 4000K	20	100-277	80+	4000K	1800	50K	045923680571	2
65-226	LED 20W Ceiling Mount Vapor Tight - 5000K	20	100-277	80+	5000K	1800	50K	045923680588	2

Product sheet NU1532

See warranty for details.



Bulkhead wall

Features

- White or Black finish with frosted glass
- Rugged construction
- Die-cast aluminum body
- UV stabilized powder coated finish
- Suitable for wet locations
- 100-277V, 50/60Hz
- Operating temperature -20°C to 40°C
- Long life—50,000 hours
- 5 Year warranty

Bulkhead Wall



Item Number	Lamp Description	W	V	Finish	CCT	Lm	CRI	Life/Hrs.	UPC	Pack/Mstr.
65-113	20W LED BULKHEAD WHITE	20	100-277	White	3000K	1440	90	50K	045923451133	2
65-114	20W LED BULKHEAD BLACK	20	100-277	Black	3000K	1440	90	50K	045923451140	2

Product sheet NU1361

See warranty for details.



Architectural outdoor wall

Features:

- Anthracite finish
- Die-cast aluminum body
- UV stabilized powder coated finish
- 120V
- 50,000 Hour life
- 5 Year warranty

VERONA



62-1231R1



62-1237R1



62-1233R1



62-1235R1

GENOVA



62-1221R1



62-1223R1

URBINO



62-1241R1

CANOPY/AREA/WALL



Architectural Outdoor Wall

Item #	Description	Watts	CRI	CCT	Lm	Finish	Life/Hrs.	Dimensions	UPC	Pk.
62-1221R1	Genova Up/Down Sconce	17	90	3000K	1,256	Anthracite	50K	10 1/2"W x 4 3/4"H x 6"E	045923682322	4
62-1223R1	Genova Up/Down Sconce	24	90	3000K	1,800	Anthracite	50K	12 1/4"W x 6"H x 7 1/2"E	045923682339	2
62-1231R1	Verona Up/Down Sconce	24	90	3000K	1,800	Anthracite	50K	4 1/8"W x 10 7/8"H x 4 3/4"E	045923682346	4
62-1233R1	Verona Up/Down Sconce	24	90	3000K	1,800	Anthracite	50K	4 1/8"W x 7 1/4"H x 4 3/4"E	045923682353	4
62-1235R1	Verona Up/Down Sconce	10	90	3000K	700	Anthracite	50K	4 3/4"W x 4 3/4"H x 5"E	045923682360	4
62-1237R1	Verona Up/Down Sconce	17	90	3000K	1,256	Anthracite	50K	8 1/4"W x 4 3/4"H x 5"E	045923682377	4
62-1241R1	Urbino Up or Down Sconce	9	90	3000K	628	Anthracite	50K	8 1/4"W x 4 3/4"H x 5"E	045923682384	4

Product sheet NU1494

See warranty for details.

Up or down outdoor wall

Versatile, high-efficiency outdoor sconce

Features

- 60W equivalent
- 10 Watts
- White, Black or Bronze finish
- Die-cast aluminum body
- UV stabilized powder coated finish
- 40° Beam spread
- 2KV Surge protection
- Lasts 50,000 hours
- IP65
- 5 Year warranty

Shown in up position



62-1137

62-1138

62-1139

Dimensions : 5" W x 6 3/4" H x 3 3/8" Ext.

Shown in down position



62-1147

62-1148

62-1149

Dimensions : 5" W x 8 1/4" H x 4 1/8" Ext.

Up or Down Outdoor Wall



Item No.	Description	W	Finish	CCT	Lm	CRI	Life/Hrs.	UPC
62-1137	1 LT LED SM UP OR DOWN SCONCE	10	White	3000K	900	90	50K	045923680922
62-1138	1 LT LED SM UP OR DOWN SCONCE	10	Black	3000K	900	90	50K	045923680939
62-1139	1 LT LED SM UP OR DOWN SCONCE	10	Bronze	3000K	900	90	50K	045923680946
62-1147	1 LT LED LG UP OR DOWN SCONCE	10	White	3000K	900	90	50K	045923680953
62-1148	1 LT LED LG UP OR DOWN SCONCE	10	Black	3000K	900	90	50K	045923680960
62-1149	1 LT LED LG UP OR DOWN SCONCE	10	Bronze	3000K	900	90	50K	045923680977

Product sheet NU1535

See warranty for details.

Up and down outdoor wall

Versatile, high-efficiency outdoor sconce

Applications

- Residential or commercial use
- Entrances
- Hallways
- Lobbies
- Patios

Features

- 10 Watts / 20 Watts
- White, Black or Bronze finish
- Die-cast aluminum body
- UV stabilized powder coated finish
- 40° Beam spread
- 2KV Surge protection
- Lasts 50,000 hours
- IP65
- 5 Year warranty



62-1143R1



62-1144R1



62-1146R1

Dimensions : 5" W x 11 3/4" H x 4 1/8" Ext.



62-1141R1



62-1142R1



62-1145R1

Dimensions : 5" W x 6 3/4" H x 3 3/8" Ext.

CANOPY/AREA/WALL

Up and Down Outdoor Wall



Item No.	Description	W	Finish	CCT	Lm	CRI	Life/Hrs.	UPC
62-1141R1	2 LT LED SM UP & DOWN SCONCE	10	White	3000K	900	90	50K	045923680861
62-1142R1	2 LT LED SM UP & DOWN SCONCE	10	Black	3000K	900	90	50K	045923680878
62-1145R1	2 LT LED SM UP & DOWN SCONCE	10	Bronze	3000K	900	90	50K	045923680885
62-1143R1	2 LT LED LG UP & DOWN SCONCE	20	White	3000K	1800	90	50K	045923680892
62-1144R1	2 LT LED LG UP & DOWN SCONCE	20	Black	3000K	1800	90	50K	045923680908
62-1146R1	2 LT LED LG UP & DOWN SCONCE	20	Bronze	3000K	1800	90	50K	045923680915

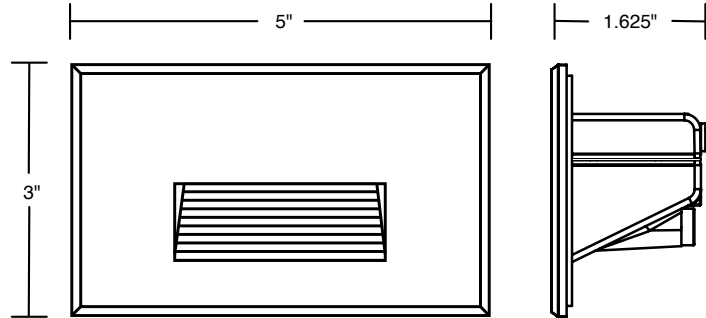
Product sheet NU1536

See warranty for details.

Horizontal step light

Features

- 5W
- Bronze, White or Gray finish
- Rugged construction
- No transformer required
- Easy installation
- UV stabilized powder coated finish
- Dimmable
- 120V or 277V versions
- Minimum interior box volume of 13 cubic inches.
- Long life—50,000 hours
- 5 Year warranty



Horizontal Step Light



Item Number	Lamp Description	W	V	Finish	CCT	Lm	CRI	Life/Hrs.	UPC	Pack/Mstr.
65-403**	5W HORIZONTAL STEP LIGHT	5	120	Bronze	3000K	407	80	50K	045923554032	24
65-404	5W HORIZONTAL STEP LIGHT	5	277	Bronze	3000K	407	80	50K	045923554049	24
65-407**	5W HORIZONTAL STEP LIGHT	5	120	White	3000K	407	80	50K	045923554070	24
65-408	5W HORIZONTAL STEP LIGHT	5	277	White	3000K	407	80	50K	045923554087	24
65-411**	5W HORIZONTAL STEP LIGHT	5	120	Gray	3000K	407	80	50K	045923554117	24
65-412	5W HORIZONTAL STEP LIGHT	5	277	Gray	3000K	407	80	50K	045923554124	24

Minimum interior box volume of 13 cubic inches.

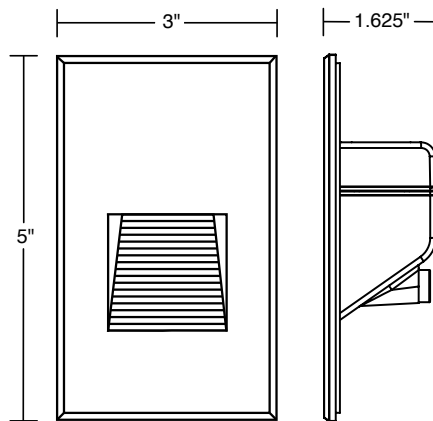
Product sheet NU1393

See warranty for details.

Vertical step light

Features

- 3W
- Bronze, White or Gray finish
- Rugged construction
- No transformer required
- Easy installation*
- UV stabilized powder coated finish
- Dimmable
- 120V or 277V versions
- Minimum interior box volume of 13 cubic inches.
- Long life—50,000 hours
- 5 Year warranty



Vertical Step Light



Item Number	Lamp Description	W	V	Finish	CCT	Lm	CRI	Life/Hrs.	UPC	Pack/Mstr.
65-401**	3W VERTICAL STEP LIGHT	3	120	Bronze	3000K	200	80	50K	045923554018	24
65-402	3W VERTICAL STEP LIGHT	3	277	Bronze	3000K	220	80	50K	045923554025	24
65-405**	3W VERTICAL STEP LIGHT	3	120	White	3000K	200	80	50K	045923554056	24
65-406	3W VERTICAL STEP LIGHT	3	277	White	3000K	220	80	50K	045923554063	24
65-409**	3W VERTICAL STEP LIGHT	3	120	Gray	3000K	200	80	50K	045923554094	24
65-410	3W VERTICAL STEP LIGHT	3	277	Gray	3000K	220	80	50K	045923554100	24

*Minimum interior box volume of 13 cubic inches.

See warranty for details.

FREEDOM™ architectural downlights & retrofits

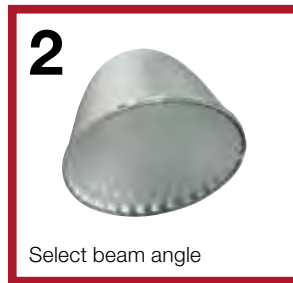
It takes just 3 steps to solve dozens of lighting challenges. Start by choosing the housing size. This also contains your color temperature, including warm-dimming. Then choose the beam angle you need for the item or area you're lighting. Finally, choose the trim ring. That's it. You're on the way to creating a consistent, functional lighting plan that covers almost every lighting need.



3 Easy steps to customize your Freedom downlight/retrofit.



Select color temperature



Select beam angle



Select trim

Start with the housing size and color temperature

4"	2700K
5 5/8"	3000K
	4000K
	5000K
	2700K-2200K
	Warm Dimming

Add the beam angle and optics

4"	5/6"
30°	35°
40°	45°
60°	60°
95°	95°

Choose your trim finish and shape, round or square

- White
- Brushed Nickel
- Polished Nickel
- Bronze

E26 Medium base adapter supplied.
Optional GU10 & GU24 bases available



Trim ring – choose round or square

Beam angle optics

Twist blade mounting for easy installation

Housing with color temperature choices or warm dimming option

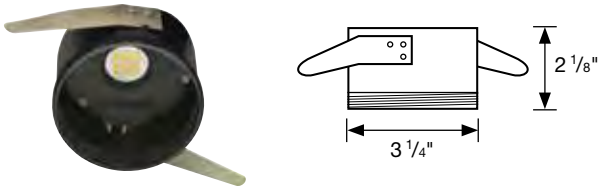
Quick connector

Product sheet SA1710

See warranty for details.

4" LED housings and reflectors

RECESSED



S9500 4" LED Housing – 10W, 2700K, 90CRI

Reflector Numbers	Reflector Angle	ENERGY STAR Numbers	Brightness (lumens)
S9508	30 deg	S9500-30	540
S9509	40 deg	S9500-40	540
S9510	60 deg	S9500-60	540
S9511	95 deg	S9500-95	500

S9501 4" LED Housing – 10W, 3000K, 90CRI

Reflector Numbers	Reflector Angle	ENERGY STAR Numbers	Brightness (lumens)
S9508	30 deg	S9501-30	550
S9509	40 deg	S9501-40	550
S9510	60 deg	S9501-60	550
S9511	95 deg	S9501-95	500

S9502 4" LED Housing – 10W, 4000K, 90CRI

Reflector Numbers	Reflector Angle	ENERGY STAR Numbers	Brightness (lumens)
S9508	30 deg	S9502-30	600
S9509	40 deg	S9502-40	600
S9510	60 deg	S9502-60	600
S9511	95 deg	S9502-95	550

S9503 4" LED Housing – 10W, 5000K, 80CRI

Reflector Numbers	Reflector Angle	ENERGY STAR Numbers	Brightness (lumens)
S9508	30 deg	S9503-30	700
S9509	40 deg	S9503-40	700
S9510	60 deg	S9503-60	700
S9511	95 deg	S9503-95	650

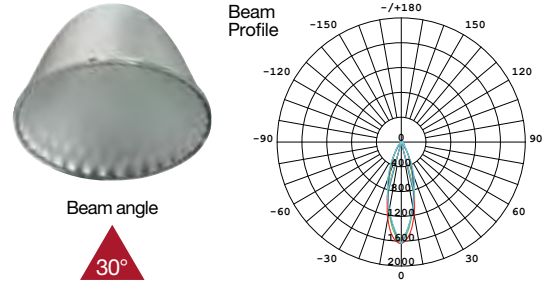
S9524 4" LED Housing – 10W, 2700K-2200K, 83CRI

Reflector Numbers	Reflector Angle	ENERGY STAR Numbers†	Brightness @ 2700K (lumens)†
S9508	30 deg	S9524-30	540
S9509	40 deg	S9524-40	540
S9510	60 deg	S9524-60	540
S9511	95 deg	S9524-95	500

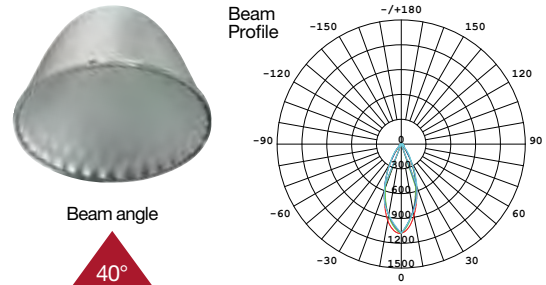
†ENERGY STAR rating relates to 2700K CCT setting only

See warranty for details.

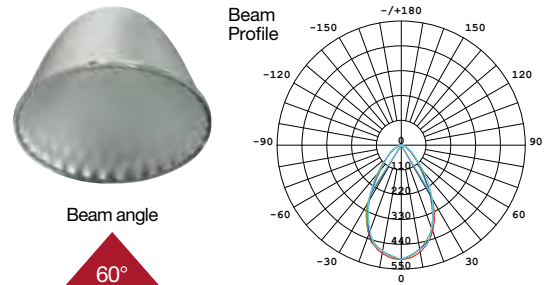
S9508 4" Reflector – 30° Beam angle



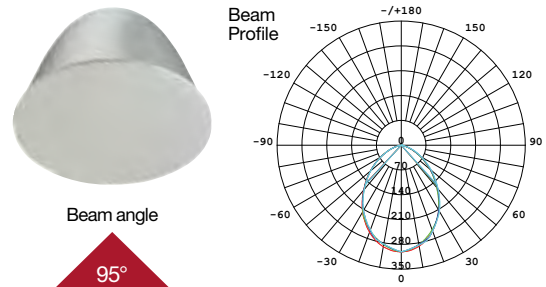
S9509 4" Reflector – 40° Beam angle



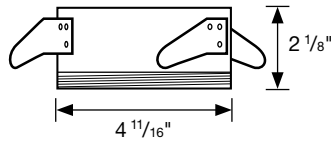
S9510 4" Reflector – 60° Beam angle



S9511 4" Reflector – 95° Beam angle



5"/6" LED Housings and reflectors Available Recessed Cans see page 119



S9504 5/6" LED Housing – 13.5W, 2700K, 90CRI

Reflector Numbers	Reflector Angle	ENERGY STAR Numbers	Brightness (lumens)
S9512	35 deg	S9504-35	830
S9513	45 deg	S9504-45	830
S9514	60 deg	S9504-60	830
S9515	95 deg	S9504-95	760

S9505 5/6" LED Housing – 13.5W, 3000K, 90CRI

Reflector Numbers	Reflector Angle	ENERGY STAR Numbers	Brightness (lumens)
S9512	35 deg	S9505-35	860
S9513	45 deg	S9505-45	860
S9514	60 deg	S9505-60	860
S9515	95 deg	S9505-95	800

S9506 5/6" LED Housing – 13.5W, 4000K, 90CRI

Reflector Numbers	Reflector Angle	ENERGY STAR Numbers	Brightness (lumens)
S9512	35 deg	S9506-35	900
S9513	45 deg	S9506-45	900
S9514	60 deg	S9506-60	900
S9515	95 deg	S9506-95	860

S9507 5/6" LED Housing – 13.5W, 5000K, 80CRI

Reflector Numbers	Reflector Angle	ENERGY STAR Numbers	Brightness (lumens)
S9512	35 deg	S9507-35	1000
S9513	45 deg	S9507-45	1000
S9514	60 deg	S9507-60	1000
S9515	95 deg	S9507-95	960

S9525 5/6" LED Housing – 13.5W, 2200K-2700K, 83CRI

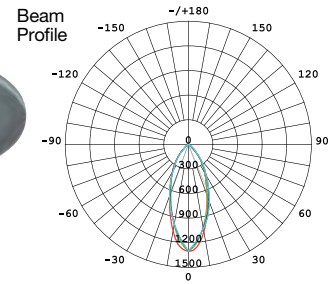
Reflector Numbers	Reflector Angle	ENERGY STAR Numbers†	Brightness @ 2700K (lumens)†
S9512	35 deg	S9525-35	830
S9513	45 deg	S9525-45	830
S9514	60 deg	S9525-60	830
S9515	95 deg	S9525-95	760

†ENERGY STAR rating relates to 2700K CCT setting only

S9512 5"/6" Reflector – 35° Beam angle



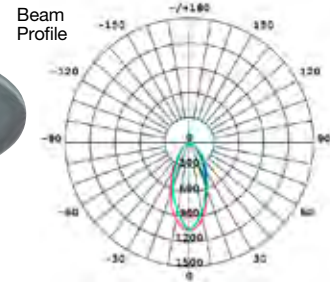
Beam angle



S9513 5"/6" Reflector – 45° Beam angle



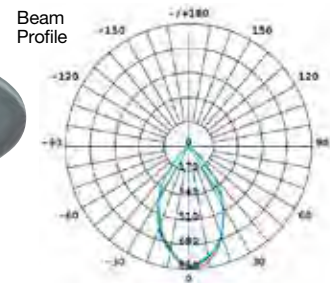
Beam angle



S9514 5"/6" Reflector – 60° Beam angle



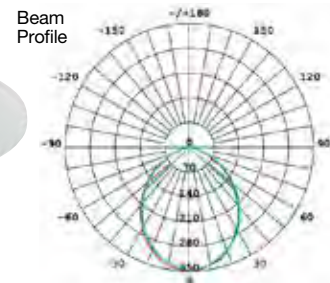
Beam angle



S9515 5"/6" Reflector – 95° Beam angle

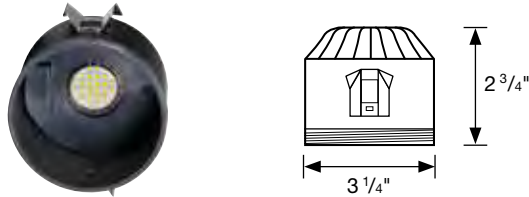


Beam angle



See warranty for details.

4" High lumen LED housings and reflectors Available Recessed Cans see page 119



S9785 4" LED Housing – 16W, 2700K, 90CRI

Reflector Numbers	Reflector Angle	Housing Numbers	Brightness (lumens)
S9508	30 deg	S9785-30	930
S9509	40 deg	S9785-40	930
S9510	60 deg	S9785-60	930
S9511	95 deg	S9785-95	880

S9786 4" LED Housing – 16W, 3000K, 90CRI

Reflector Numbers	Reflector Angle	Housing Numbers	Brightness (lumens)
S9508	30 deg	S9786-30	940
S9509	40 deg	S9786-40	940
S9510	60 deg	S9786-60	940
S9511	95 deg	S9786-95	890

S9787 4" LED Housing – 16W, 4000K, 90CRI

Reflector Numbers	Reflector Angle	Housing Numbers	Brightness (lumens)
S9508	30 deg	S9787-30	950
S9509	40 deg	S9787-40	950
S9510	60 deg	S9787-60	950
S9511	95 deg	S9787-95	900

S9788 4" LED Housing – 16W, 5000K, 80CRI

Reflector Numbers	Reflector Angle	Housing Numbers	Brightness (lumens)
S9508	30 deg	S9788-30	1050
S9509	40 deg	S9788-40	1050
S9510	60 deg	S9788-60	1050
S9511	95 deg	S9788-95	1000

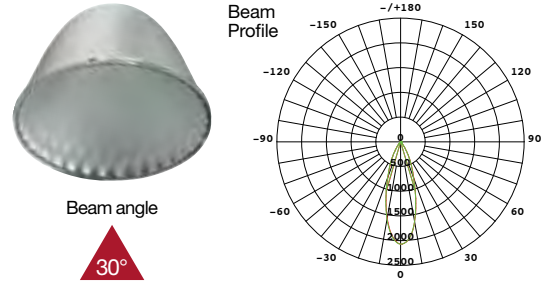
S9789 4" LED Housing – 16W, 2700K-2200K, 80CRI

Reflector Numbers	Reflector Angle	Housing Numbers†	Brightness @ 2700K (lumens)†
S9508	30 deg	S9789-30	940
S9509	40 deg	S9789-40	940
S9510	60 deg	S9789-60	940
S9511	95 deg	S9789-95	890

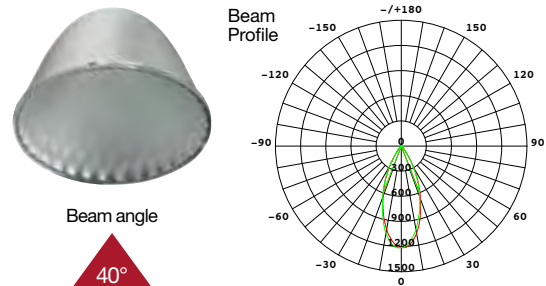
†ENERGY STAR rating relates to 2700K CCT setting only

See warranty for details.

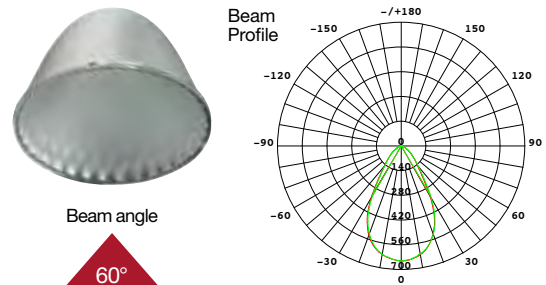
S9508 4" Reflector – 30° Beam angle



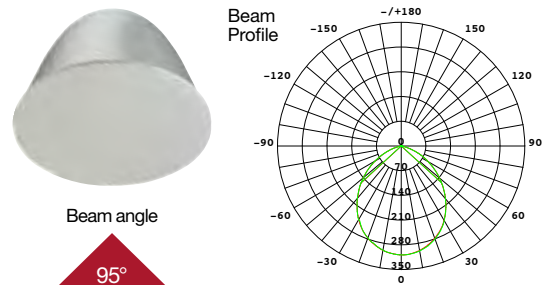
S9509 4" Reflector – 40° Beam angle



S9510 4" Reflector – 60° Beam angle



S9511 4" Reflector – 95° Beam angle



RECESSED

Round trims

4" Trims



White
S9516 4"



Brushed Nickel
S9517 4"

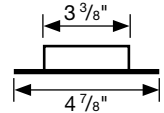


Bronze
S9518 4"



Polished Nickel
S9519 4"

4" Round



5 1/6" Trims



White
S9520 5", S9554 6"



Brushed Nickel
S9521 5", S9555 6"

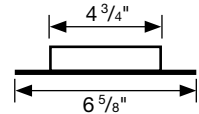


Bronze
S9522 5", S9556 6"



Polished Nickel
S9523 5", S9557 6"

5" Round



6" Round Adjustable Gimbal Trims



White
S9646 6"



Brushed Nickel
S9647 6"

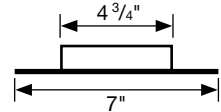


Bronze
S9648 6"

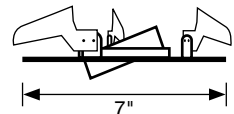


Polished Nickel
S9649 6"

6" Round



6" Round Gimbal



Square trims

4" Trims



White
S9526 4"



Brushed Nickel
S9527 4"

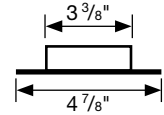


Bronze
S9528 4"



Polished Nickel
S9529 4"

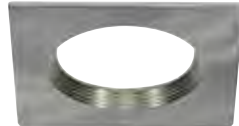
4" Square



5 1/6" Trims



White
S9530 5", S9534 6"



Brushed Nickel
S9531 5", S9535 6"

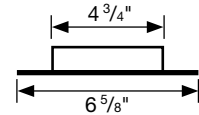


Bronze
S9532 5", S9536 6"



Polished Nickel
S9533 5", S9537 6"

5" Square



6" Square Adjustable Gimbal Trims



White
S9693 6"



Brushed Nickel
S9694 6"

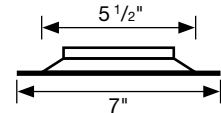


Bronze
S9695 6"

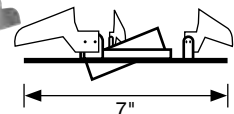


Polished Nickel
S9696 6"

6" Square



6" Square Gimbal



See warranty for details.

Item Number	Finish	UPC	Pk./Mstr.
ROUND TRIMS			
4" ROUND TRIMS - For use in 4" new work and remodel housings			
S9516	White	045923095160	12
S9517	Brushed Nickel	045923095177	12
S9518	Bronze	045923095184	12
S9519	Polished Nickel	045923095191	12
5" ROUND TRIMS - For use in 5" new work and remodel housings or 6" new work housings			
S9520	White	045923095207	12
S9521	Brushed Nickel	045923095214	12
S9522	Bronze	045923095221	12
S9523	Polished Nickel	045923095238	12
6" ROUND TRIMS - For use in 6" new work and remodel housings			
S9554	White	045923095542	12
S9555	Brushed Nickel	045923095559	12
S9556	Bronze	045923095566	12
S9557	Polished Nickel	045923095573	12
GIMBAL TRIMS - For use with 4" LED high lumen housings only - S9785, S9786, S9787, S9788 and S9789			
6" ROUND ADJUSTABLE GIMBAL TRIMS - Gimbal trims can only be used in 6" new work or remodel cans			
S9646	White	045923096464	12
S9647	Brushed Nickel	045923096471	12
S9648	Bronze	045923096488	12
S9649	Polished Nickel	045923096495	12
SQUARE TRIMS			
4" SQUARE TRIMS - For use in 4" new work and remodel housings			
S9526	White	045923095269	12
S9527	Brushed Nickel	045923095276	12
S9528	Bronze	045923095283	12
S9529	Polished Nickel	045923095290	12
5" SQUARE TRIMS - For use in 5" new work and remodel housings or 6" new work housings			
S9530	White	045923095306	12
S9531	Brushed Nickel	045923095313	12
S9532	Bronze	045923095320	12
S9533	Polished Nickel	045923095337	12
6" SQUARE TRIMS - For use in 6" new work and remodel housings			
S9534	White	045923095344	12
S9535	Brushed Nickel	045923095351	12
S9536	Bronze	045923095368	12
S9537	Polished Nickel	045923095375	12
GIMBAL TRIMS - For use with 4" LED high lumen housings only - S9785, S9786, S9787, S9788 and S9789			
6" SQUARE ADJUSTABLE GIMBAL TRIMS - Gimbal trims can only be used in 6" new work or remodel cans			
S9693	White	045923096938	12
S9694	Brushed Nickel	045923096945	12
S9695	Bronze	045923096952	12
S9696	Polished Nickel	045923096969	12

See warranty for details.

4", 5/6" recessed downlight retrofits with selectable color temperature settings



Residential

Office

Retail

Hospitality

Selectable CCT can be set to 2700K, 3000K, 3500K, 4000K or 5000K

Direct replacement for 50W and 65W reflector lamps - uses only 7W and 9W

Dimmable

Long life—50,000 hours

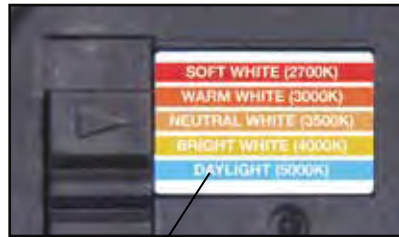
Wet location - Baffle trims

Damp location - Gimbal

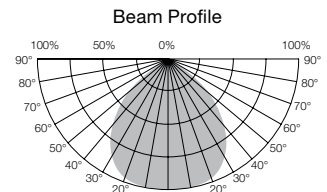
5 Year warranty

c-UL-us wet location listed

ENERGY STAR® certified*

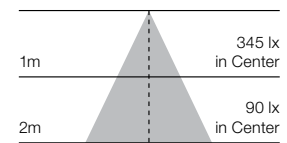


Color changeable - 5 color temperature settings




Beam Angle: 90°

Illumination



Beam Angle: 90°



E26 Adapter included  (S9001)
 GU10 Adapter sold separately (S9000)
 GU24 Adapter sold separately (8999)

4", 5/6" LED Recessed Downlight Retrofits with Selectable Color Temperature



Item Number	Lamp Description	W	V	CRI	CCT	Lm	Bm	M.O.L. (Inches)	Life/ Hrs.	UPC	Pack
Round											
S11800	7WLED/RDL/4/ADJ-CCT/120V / 4 INCH	7	120	90	27K,30K,35K,40K,50K	600	90°	2 7/8	50K	045923118005	16/1
S11801	9WLED/RDL/5-6/ADJ-CCT/120V / 5-6 INCH	9	120	90	27K,30K,35K,40K,50K	800	90°	3 1/2	50K	045923118012	8/1
S11825	13.5WLED/RDL/5-6/CCT-SEL	13.5	120	90	27K,30K,35K,40K,50K	1200	90°	3 1/4	50K	045923118258	8/1
Square											
S11820	6.5WLED/RDL/SQ/4/CCT-SEL	6.5	120	90	27K,30K,35K,40K,50K	600	90°	2 3/4	50K	045923118203	24/1
S11821	11.5WLED/RDL/SQ/5-6/CCT-SEL	11.5	120	90	27K,30K,35K,40K,50K	1000	90°	3 1/4	50K	045923118210	12/1
Gimbal											
S11822	7.5WLED/DIR/4/60°/CCT-SEL	7.5	120	90	27K,30K,35K,40K,50K	600	90°	3 1/2	50K	045923118227	8/1
S11824	10.5WLED/DIR/5-6/90°/CCT-SEL	10.5	120	90	27K,30K,35K,40K,50K	800	90°	3 7/8	50K	045923118241	8/1

Product sheet SA2632

See warranty for details.

4" recessed downlight retrofits

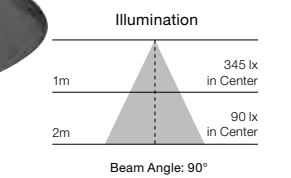
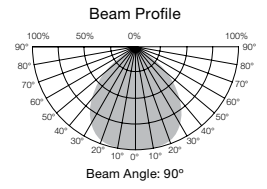
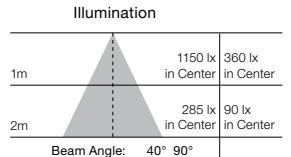
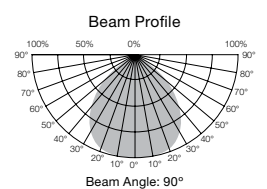
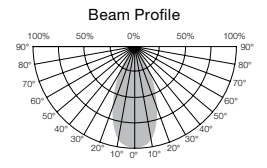
- Residential
- Office
- Retail
- Hospitality
- Solid state LED lighting
- Direct replacement for reflector lamps
- Dimmable
- c-UL-us Classified damp location - Gimbal
- c-UL-us Classified wet location - Baffle
- JA8-2016
- CEC/T20 Compliant
- Long life—50,000 hours
- 5 Year warranty



4" Downlight Gimbal



4" Downlight Baffle



E26 Adapter included (S9001)
 GU10 Adapter sold separately (S9000)



4" Recessed Downlight Retrofits

Item Number	Lamp Description	Finish	W	V	CRI	CCT	Lm	Bm	M.O.L. (Inches)	Life/Hrs.	UPC	Pack
4" LED Baffle Retrofits												
S39713	7WLED/RDL/4/27K/120V	White	7	120	90	2700K	600	90°	2 7/8	50K	045923397134	16
S39714	7WLED/RDL/4/30K/120V	White	7	120	90	3000K	600	90°	2 7/8	50K	045923397141	16
S39715	7WLED/RDL/4/40K/120V	White	7	120	90	4000K	600	90°	2 7/8	50K	045923397158	16
S39716	7WLED/RDL/4/50K/120V	White	7	120	90	5000K	600	90°	2 7/8	50K	045923397165	16
S39744	8.5WLED/RDL/4/30K/BN/120V	Brushed Nickel	8.5	120	90	3000K	600	90°	2 7/8	50K	045923397448	16
S39847	8.5WLED/RDL/4/30K/BRZ/120V	Bronze	8.5	120	90	3000K	520	90°	2 7/8	50K	045923398476	16
4" LED Gimbal Retrofits												
S39463	7WLED/DIR/4/40/27K/120V	White	7	120	90	2700K	600	40°	3 5/8	50K	045923294631	8
S39464	7WLED/DIR/4/40/30K/120V	White	7	120	90	3000K	600	40°	3 5/8	50K	045923294648	8
S39465	7WLED/DIR/4/40/40K/120V	White	7	120	90	4000K	600	40°	3 5/8	50K	045923294655	8
S39466	7WLED/DIR/4/90/27K/120V	White	7	120	90	2700K	600	90°	3 5/8	50K	045923294662	8
S39467	7WLED/DIR/4/90/30K/120V	White	7	120	90	3000K	600	90°	3 5/8	50K	045923294679	8
S39468	7WLED/DIR/4/90/40K/120V	White	7	120	90	4000K	600	90°	3 5/8	50K	045923294686	8

■ Also T24 compliant.

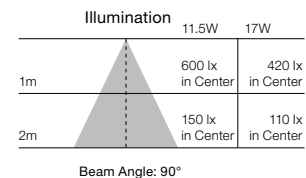
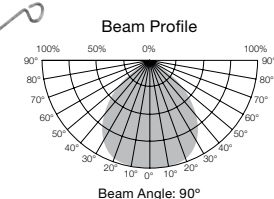
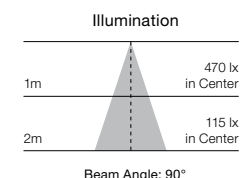
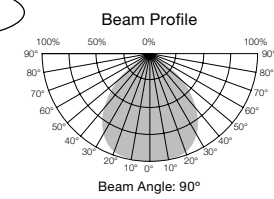
Product sheet SA2602

See warranty for details.

RECESSED

5"/6" recessed downlight retrofits

- Residential • Office • Retail • Hospitality
- Solid state LED lighting
- Direct replacement for reflector lamps
- Dimmable
- High efficiency/Environmentally friendly
- c-UL-us Classified damp location - Gimbal
- c-UL-us Classified wet location - Baffle
- JA8-2016
- CEC/T20 Compliant
- Long life—50,000 hours
- 5 Year warranty



- E26 Adapter included (S9001)
- GU24 Adapter sold separately (S8999)
- GU10 Adapter sold separately (S9000)

- Pressure bracket (80-2676) alternate installation option available.
- Torsion springs (80/2709)



5"/6" Recessed Downlight Retrofits

Item Number	Lamp Description	Finish	W	V	CRI	CCT	Lm	Bm	M.O.L. (Inches)	Life/Hrs.	UPC	Pack
5"/6" LED Baffle Retrofits												
S39724	9WLED/RDL/5-6/27K/120V	White	9	120	90	2700K	800	90°	3 7/16	50K	045923397240	8
S39725	9WLED/RDL/5-6/30K/120V	White	9	120	90	3000K	800	90°	3 7/16	50K	045923397257	8
S39726	9WLED/RDL/5-6/40K/120V	White	9	120	90	4000K	800	90°	3 7/16	50K	045923397264	8
S39727	9WLED/RDL/5-6/50K/120V	White	9	120	90	5000K	800	90°	3 7/16	50K	045923397271	6
S39745	10.5WLED/RDL/5-6/30K/BN/120V	Brushed Nickel	10.5	120	90	3000K	800	90°	3 7/16	50K	045923397455	8
S39848	10.5WLED/RDL/5-6/30K/BRZ/120V	Bronze	10.5	120	90	3000K	700	90°	3 7/16	50K	045923398483	8
5"/6" LED Baffle Retrofits - High Lumen												
S39740	13.5WLED/RDL/5-6/27K/120V	White	13.5	120	90	2700K	1200	90°	3 7/16	50K	045923397400	8
S39741	13.5WLED/RDL/5-6/30K/120V	White	13.5	120	90	3000K	1200	90°	3 7/16	50K	045923397417	8
S39742	13.5WLED/RDL/5-6/40K/120V	White	13.5	120	90	4000K	1200	90°	3 7/16	50K	045923397424	8
S39743	13.5WLED/RDL/5-6/50K/120V	White	13.5	120	90	5000K	1200	90°	3 7/16	50K	045923397431	8
5"/6" LED Gimbal Retrofits												
S39472	9WLED/DIR/5-6/27K/120V	White	9	120	90	2700K	800	90°	4 1/4	50K	045923394720	8
S39473	9WLED/DIR/5-6/30K/120V	White	9	120	90	3000K	800	90°	4 1/4	50K	045923394737	8
S39474	9WLED/DIR/5-6/40K/120V	White	9	120	90	4000K	800	90°	4 1/4	50K	045923394744	8

■ Also T24 compliant. Product sheet SA2603

See warranty for details.

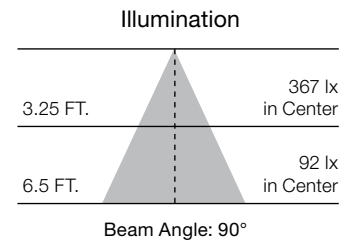
5"/6" recessed downlight retrofits

- Residential
- Office
- Retail
- Hospitality
- Direct replacement for reflector lamps
- High efficiency/environmentally friendly
- Dimmable***
- c-UL-us Classified
- Long life—35,000 hours
- 5 Year warranty



E26 Adapter included  (S9001)

This retrofit is for use with recessed housings with an E26 socket only.



5"/6" Recessed Downlight Retrofits

Item Number	Lamp Description	W	V	CRI	CCT	Lm	Bm	M.O.L. (Inches)	Life/Hrs.	UPC	Pack/Master
S29312*	9.8WLED/RDL/5-6/27K/120V	9.8	120	90	2700K	650	90°	2 5/16	35K	045923293122	12
S29313*	9.8WLED/RDL/5-6/30K/120V	9.8	120	90	3000K	650	90°	2 5/16	35K	045923293139	12
S29314*	9.8WLED/RDL/5-6/40K/120V	9.8	120	90	4000K	650	90°	2 5/16	35K	045923293146	12
S29315*	9.8WLED/RDL/5-6/50K/120V	9.8	120	90	5000K	650	90°	2 5/16	35K	045923293153	12

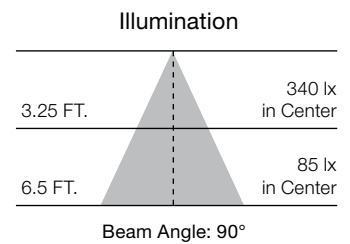
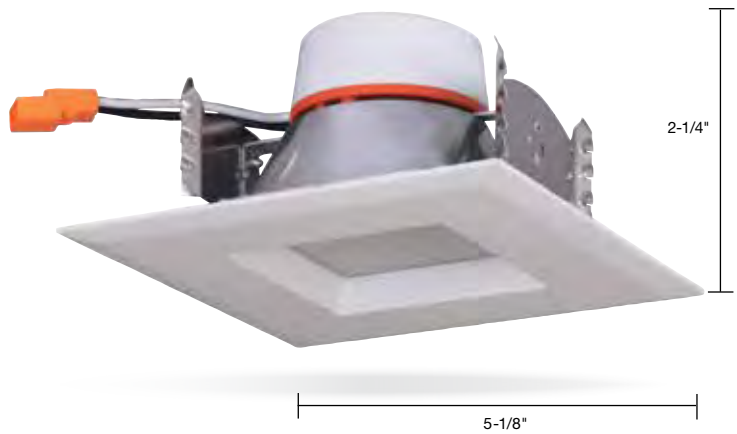
*** Consult Satco or visit www.satco.com for an up to date dimmer compatibility list.


Product sheet SA2013

See warranty for details.

4" Square recessed downlight retrofits

- Residential
- Office
- Retail
- Hospitality
- 45 Watt replacement uses only 9 Watts**
- Direct replacement for reflector lamps
- Durable die-cast finish
- Dimmable***
- Wet location
- c-UL-us Classified
- JA8-2016
- CEC/T20 Compliant
- Long life—50,000 hours
- 5 Year warranty



- E26 Adapter included  (S9001)
- GU24 Adapter sold separately (S8999)
- GU10 Adapter sold separately (S9000)
- Fits in round cans**



4" Square Trim Recessed Downlight Retrofits

Item Number	Lamp Description	W	V	CRI	CCT	Lm	Bm	M.O.L. (Inches)	Life/Hrs.	UPC	Pack
S39756*■	7WLED/4/SQ/27K/120V	7	120	90	2700K	600	90°	4	50K	045923397561	24
S39757*■	7WLED/4/SQ/30K/120V	7	120	90	3000K	600	90°	4	50K	045923397578	24
S39758*■	7WLED/4/SQ/40K/120V	7	120	90	4000K	600	90°	4	50K	045923397585	24
S39759	7WLED/4/SQ/50K/120V	7	120	90	5000K	600	90°	4	50K	045923397592	24

*** Consult Satco or visit www.satco.com for an up to date dimmer compatibility list. ■ Also T24 compliant.

Product sheet SA2047

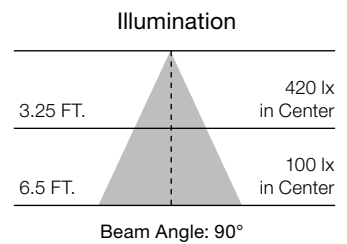
See warranty for details.

5"/6" Square recessed downlight retrofits



- Residential
- Office
- Retail
- Hospitality
- Up to 85 Watt replacement uses only 15 Watts**
- Direct replacement for reflector lamps
- Durable die-cast finish
- Dimmable***
- Wet location
- c-UL-us Classified
- JA8-2016
- CEC/T20 Compliant
- Long life—50,000 hours
- 5 Year warranty

E26 Adapter included (S9001)
 GU24 Adapter sold separately (S8999)
 GU10 Adapter sold separately (S9000)
Fits in round cans



5"/6" Square Trim Recessed Downlight Retrofits

Item Number	Lamp Description	W	V	CRI	CCT	Lm	Bm	M.O.L. (Inches)	Life/ Hrs.	UPC	Pack
S39770■	11.5WLED/5-6/SQ/27K/120V	11.5	120	90	2700K	1000	90°	5-6	50K	045923397707	12
S39771■	11.5WLED/5-6/SQ/30K/120V	11.5	120	90	3000K	1000	90°	5-6	50K	045923397714	12
S39772■	11.5WLED/5-6/SQ/40K/120V	11.5	120	90	4000K	1000	90°	5-6	50K	045923397721	12
S39773*	11.5WLED/5-6/SQ/50K/120V	11.5	120	90	5000K	1000	90°	5-6	50K	045923397738	12

*** Consult Satco or visit www.satco.com for an up to date dimmer compatibility list. ■ Also T24 compliant.

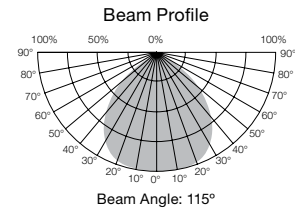
Product sheet SA2048

See warranty for details.

Quick Trim™ 4" and 5 5/8" recessed downlight retrofit 2-packs

Innovative design – adjustable neck makes installation into any recessed can easy

- Residential
- Office
- Retail
- Hospitality
- Direct replacement for reflector lamps
- Dimmable***
- Damp location listed
- Long life—25,000 hours
- 5 Year warranty



illumination	4"	5"-6"
1m	340 lx in Center	420 lx in Center
2m	85 lx in Center	100 lx in Center

Beam Angle: 115°



Extends to reach the socket.
Retracts to meet the surface.



Screw lamp into existing socket.



Push into the fixture until the trim is flush against surface.



Quick Trim™ 4" & 5 5/8" Recessed Downlight Retrofit 2-Packs



Item Number	Lamp Description	W	V	CRI	CCT	Lm	Bm	M.O.L. (Inches)	Life/Hrs.	UPC	Pack
S9598*	8.5WLED/4"TRIM/27K/120V/2PK	8.5	120	80	2700K	510	115°	3 13/16 - 5 3/8	25K	045923095986	12-2pks
S9599*	12WLED/5-6"TRIM/27K/120V/2PK	12	120	80	2700K	800	110°	4 1/2 - 6 5/16	25K	045923095993	12-2pks

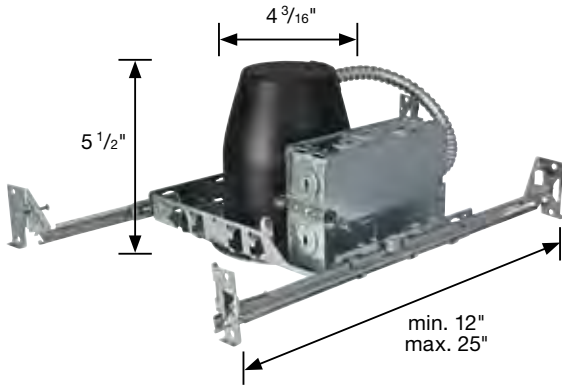
*** Consult Satco or visit www.satco.com for an up to date dimmer compatibility list.

Product sheet SA1965

See warranty for details.

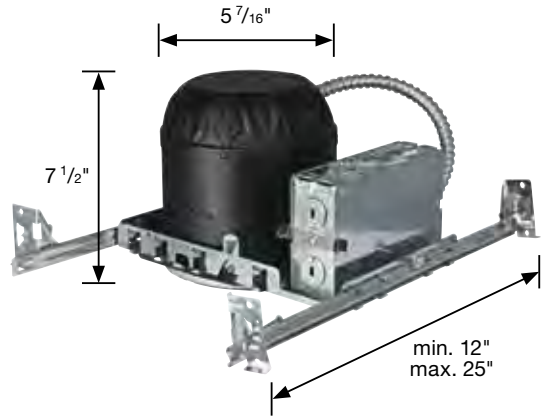
LED ready recessed can assemblies

Air-tight rated.



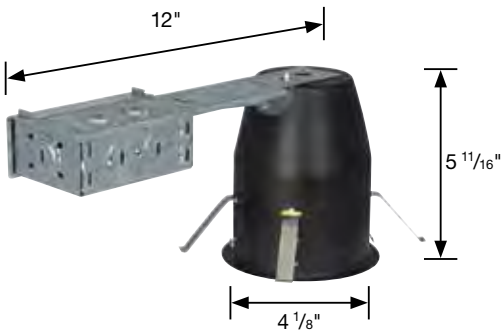
S9538 4" Can – New Construction

For 120V, 60Hz, 18W max.
 Suitable for wet and damp locations*
 For use only with UL or cUL classified LED or equivalent
 IC Rated



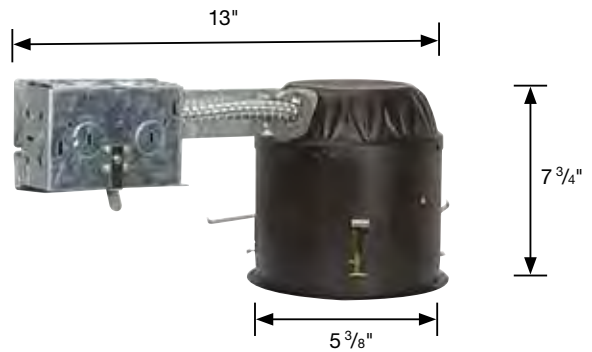
S9540 5/6" Can – New Construction

For 120V, 60Hz, 24W max.
 Suitable for wet and damp locations*
 For use only with UL or cUL classified LED or equivalent
 IC Rated



S9539 4" Can – Remodel

For 120V, 60Hz, 18W max.
 Suitable for wet and damp locations*
 For use only with UL or cUL classified LED or equivalent
 IC Rated



S9541 5/6" Can – Remodel

For 120V, 60Hz, 24W max.
 Suitable for wet and damp locations*
 For use only with UL or cUL classified LED or equivalent
 IC Rated

Quick-connect plugs
 make installation
 even easier.



Product sheet SA1710

See warranty for details.



5 SIZES ~ 3 CCT SELECTIONS

ENERGY STAR® - T24

DAMP LOCATION

AIR TIGHT

40,000 HOURS

**SLEEK DESIGN FOR
ADVANCED ARCHITECTURAL
INSTALLATIONS WITH VERSATILE,
SELECTABLE CCT.**



48"

32"

24"

18"

12"



SATCO's LED Linear

Recessed/Direct Wire feature a beveled trim for a sleek, recessed appearance and offer a low-profile aesthetic with even light distribution and design versatility.

The convenient direct wire junction box and spring-clip mounting make installation quick and easy.

5 long elegant sizes, 3 selectable color temps, for a multitude of applications and solutions.

See warranty for details.

CCT Selectable direct wire, back-lit, linear recessed



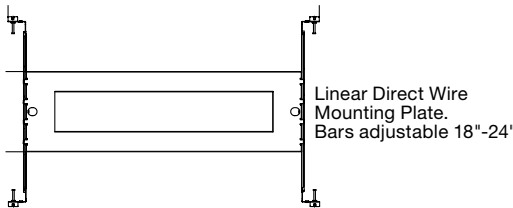
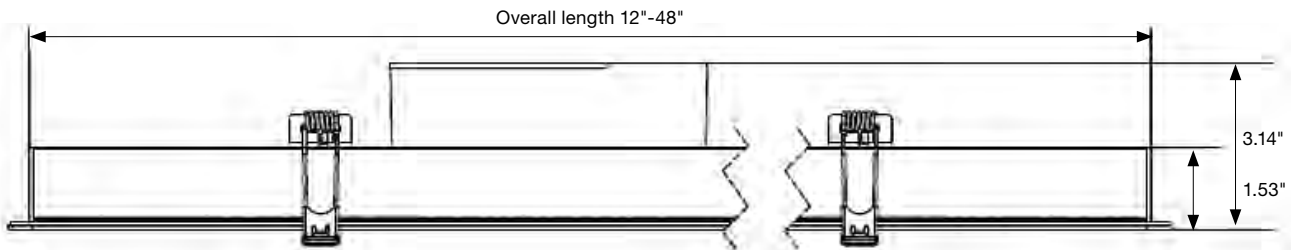
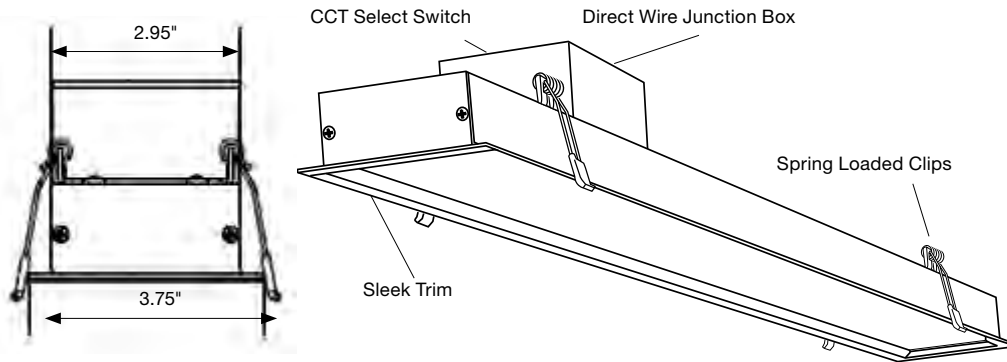
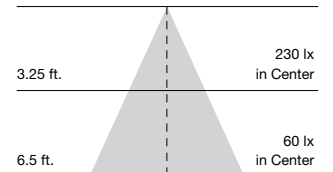
ColorQuick™

Selectable Color Technology

Switch to/ from the following CCT

3000K 4000K 5000K

Illumination



CCT Selectable direct wire, back-lit linear recessed



Item Number	Description	W	V	CRI	CCT Selectable	Lm	Life/Hrs.	UPC	Pack/Mstr.
LED Linear Recessed									
S11720	10WLED/DW/LINEAR/ 12\"/>								

Item Number	Description	Dimensions	UPC	Pack/Mstr.
LED Linear Recessed Mounting Plate for New Construction				
80-962	ROUGH-IN PLATE / BARS 12\"/>			

*Consult Satco or visit www.satco.com for an up to date dimmer compatibility list. See warranty for details.

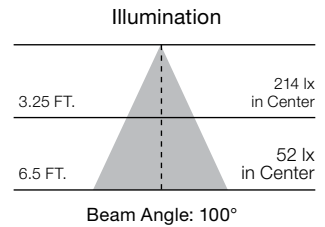
RECESSED

4" Direct wire edge-lit downlights

- Residential
- Office
- Retail
- Hospitality
- Drop ceilings
- Remodeling
- Direct replacement for 45 Watt reflector lamps uses only 8.5 Watts**
- Edge-lit technology
- Slim design
- Integrated j-box for direct wire installation saves time and materials
- Damp location
- Dimmable***
- Long life—40,000 hours
- 5 Year warranty

Highlights

- Easy install spring clips
- IC rated
- Low profile
- No recessed can required



4" Direct Wire Edge-Lit Downlights



Item Number	Lamp Description	W	V	CRI	CCT	Lm	Bm	M.O.L. (Inches)	Life/Hrs.	UPC	Pack
S39055*	8.5WLED/DW/EL/4/27K/120V	8.5	120	90	2700K	500	100°	1 15/16	40K	045923390555	12/1
S39056*	8.5WLED/DW/EL/4/30K/120V	8.5	120	90	3000K	500	100°	1 15/16	40K	045923390562	12/1
S39057*	8.5WLED/DW/EL/4/40K/120V	8.5	120	90	4000K	540	100°	1 15/16	40K	045923390579	12/1
S39058*	8.5WLED/DW/EL/4/50K/120V	8.5	120	90	5000K	540	100°	1 15/16	40K	045923390586	12/1

ACCESSORIES

80-946	GOOF RING 4" - DIRECT WIRE DL - 6" OUTSIDE DIAMETER									045923809460	12/1
80-950	ROUGH-IN PLATE/4" DIRECT WIRE									0045923809507	24/1

*** Consult Satco or visit www.satco.com for an up to date dimmer compatibility list.

Product sheet SA2591

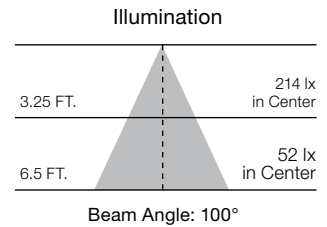
See warranty for details.

6" Direct wire edge-lit downlights

- Residential
- Office
- Retail
- Hospitality
- Drop ceilings
- Remodeling
- Direct replacement for 65 Watt reflector lamps uses only 11.6 Watts**
- Edge-lit technology
- Slim design
- Integrated j-box for direct wire installation saves time and materials
- Damp location
- Dimmable***
- Long life—40,000 hours
- 5 Year warranty

Highlights

- Easy install spring clips
- IC rated
- Low profile
- No recessed can required



6" Direct Wire Edge-lit Downlights



Item Number	Lamp Description	W	V	CRI	CCT	Lm	Bm	M.O.L. (Inches)	Life/ Hrs.	UPC	Pack
S39061*	11.6WLED/DW/EL/5-6/27K/120V	11.6	120	90	2700K	730	100°	1 1/16	40K	045923390616	12/1
S39062*	11.6WLED/DW/EL/5-6/30K/120V	11.6	120	90	3000K	730	100°	1 1/16	40K	045923390623	12/1
S39063*	11.6WLED/DW/EL/5-6/40K/120V	11.6	120	90	4000K	780	100°	1 1/16	40K	045923390630	12/1
S39059*	11.6WLED/DW/EL/5-6/50K/120V	11.6	120	90	5000K	780	100°	1 1/16	40K	045923390593	12/1

ACCESSORIES

80-947	GOOF RING 6" - DIRECT WIRE DL - 8" OUTSIDE DIAMETER									045923809477	12/1
80-951	ROUGH-IN PLATE / 6" DIRECT WIRE									045923809514	24/1

*** Consult Satco or visit www.satco.com for an up to date dimmer compatibility list.

Product sheet SA2592

See warranty for details.

8" Direct wire, edge-lit, round downlights

Applications

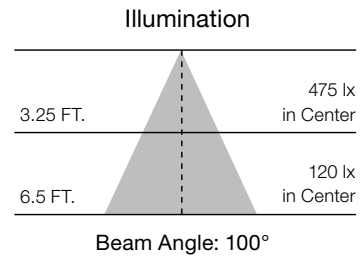
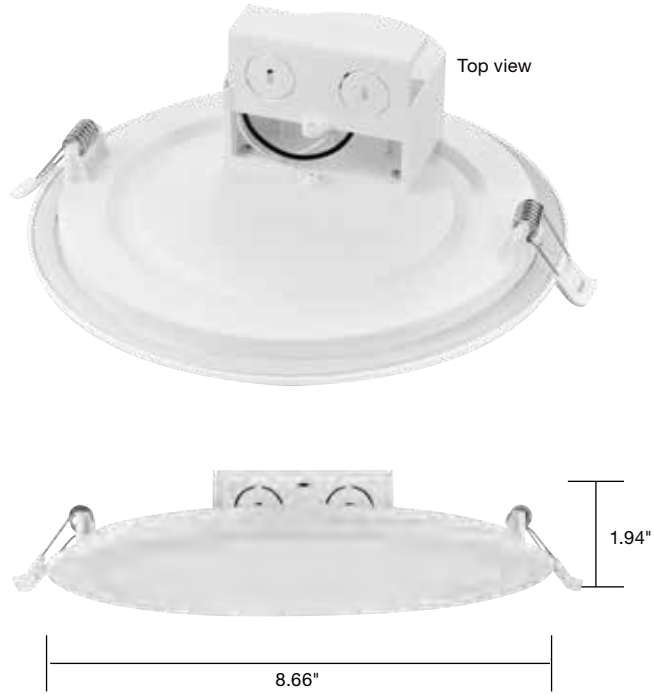
- Residential
- Office
- Retail
- Hospitality
- Drop ceilings
- Remodeling

Highlights

- Easy install spring clips
- IC rated
- Low profile
- No recessed can required

Features

- Direct replacement for 85 Watt reflector lamps uses only 18 Watts
- Integrated j-box for direct wire installation saves time and materials
- Dimmable
- 2700K, 3000K, 4000K and 5000K options
- 120V
- CEC/T20 Compliant
- Long life—40,000 hours
- 5 Year warranty



8" Direct Wire, Edge-Lit Downlights



Item Number	Lamp Description	W	V	CRI	CCT	Lm	Bm	M.O.L. (Inches)	Life/Hrs.	UPC	Case Qty.
S11716* ■	18WLED/DW/EL/8/27K/120V	18	120	90	2700K	1300	100°	1.94	40K	045923117169	12
S11717* ■	18WLED/DW/EL/8/30K/120V	18	120	90	3000K	1300	100°	1.94	40K	045923117176	12
S11718* ■	18WLED/DW/EL/8/40K/120V	18	120	90	4000K	1300	100°	1.94	40K	045923117183	12
S11719* ■	18WLED/DW/EL/8/50K/120V	18	120	90	5000K	1300	100°	1.94	40K	045923117190	12

ACCESSORIES

80-948	GOOF RING 8" - DIRECT WIRE DL - 10 1/8" OUTSIDE DIAMETER									045923809484	12/1
80-953	ROUGH-IN PLATE / 8" DIRECT WIRE									045923809538	24/1

*** Consult Satco or visit www.satco.com for an up to date dimmer compatibility list. ■ Also T24 compliant.

Product sheet SA2606

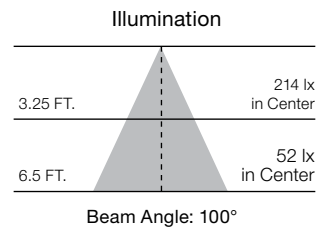
See warranty for details.

4" Direct wire downlights

- Residential
- Office
- Retail
- Hospitality
- Drop ceilings
- Remodeling
- Direct replacement for 45 Watt reflector lamps uses only 7 Watts**
- Integrated j-box for direct wire installation saves time and materials
- Dimmable***
- Long life—40,000 hours
- 5 Year warranty

Highlights

- Easy install spring clips
- IC rated
- Low profile
- No recessed can required



4" LED Direct Wire Downlights



Item Number	Lamp Description	W	V	CRI	CCT	Lm	Bm	M.O.L. (Inches)	Life/ Hrs.	UPC	Pack
S39011*	7WLED/DW/RDL/4/27K/120V	7	120	90	2700K	450	100°	2 3/4	40K	045923390111	12/1
S39012*	7WLED/DW/RDL/4/30K/120V	7	120	90	3000K	450	100°	2 3/4	40K	045923390128	12/1
S39013*	7WLED/DW/RDL/4/40K/120V	7	120	90	4000K	490	100°	2 3/4	40K	045923390135	12/1
S39021*	7WLED/DW/RDL/4/50K/120V	7	120	90	5000K	490	100°	2 3/4	40K	045923390210	12/1

ACCESSORIES

80-946	GOOF RING 4" - DIRECT WIRE DL - 6" OUTSIDE DIAMETER									045923809460	12/1
80-950	ROUGH-IN PLATE/4" DIRECT WIRE									0045923809507	24/1

*** Consult Satco or visit www.satco.com for an up to date dimmer compatibility list.

See warranty for details.

6" Direct wire downlights

- Residential
- Office
- Retail
- Hospitality
- Drop ceilings
- Remodeling
- Direct replacement for 65 Watt reflector lamps uses only 9 Watts**
- Integrated j-box for direct wire installation saves time and materials
- Wet location
- Dimmable***
- c-ETL-us
- Long life—40,000 hours
- ENERGY STAR® certified*
- 5 Year warranty

Highlights

- Easy install spring clips
- IC rated
- Low profile
- No recessed can required



6" Direct Wire Downlights



Item Number	Lamp Description	W	V	CRI	CCT	Lm	Bm	M.O.L. (Inches)	Life/Hrs.	UPC	Pack
S39026*	9WLED/DW/RDL/5-6/27K/120V	9	120	90	2700K	620	100°	2 13/16	40K	045923390265	12/1
S39027*	9WLED/DW/RDL/5-6/30K/120V	9	120	90	3000K	620	100°	2 13/16	40K	045923390272	12/1
S39028*	9WLED/DW/RDL/5-6/40K/120V	9	120	90	4000K	700	100°	2 13/16	40K	045923390289	12/1
S39029*	9WLED/DW/RDL/5-6/50K/120V	9	120	90	5000K	700	100°	2 13/16	40K	045923390296	12/1

ACCESSORIES

80-947	GOOF RING 6" - DIRECT WIRE DL - 8" OUTSIDE DIAMETER									045923809477	12/1
80-951	ROUGH-IN PLATE / 6" DIRECT WIRE									045923809514	24/1

*** Consult Satco or visit www.satco.com for an up to date dimmer compatibility list.

Product sheet SA2594

See warranty for details.

4" Direct wire, gimbal downlights

Applications

- Residential
- Office
- Retail
- Hospitality
- Drop ceilings
- Remodeling

Highlights

- Easy install spring clips
- IC rated
- Low profile
- No recessed can required

Features

Direct replacement for 45 Watt reflector lamps uses only 7 Watts

Integrated j-box for direct wire installation saves time and materials

Dimmable**

2700K, 3000K, 4000K and 5000K options
120V

CEC/T20/T24 Compliant

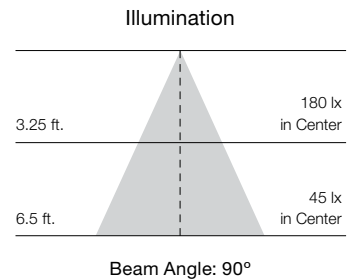
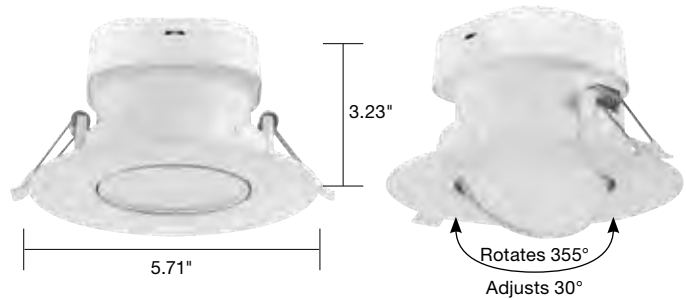
Long life—40,000 hours

c-ETL-us listed

Damp location

ENERGY STAR® certified*

5 Year warranty



4" Direct Wire Gimbal Downlights



Item Number	Lamp Description	W	V	CRI	CCT	Lm	Bm	M.O.L. (Inches)	Life/ Hrs.	UPC	Case Qty.
S11708■	7WLED/DW/GBL/4/27K/120V	7	120	90	2700K	490	90°	3.23	40K	045923117084	12
S11709■	7WLED/DW/GBL/4/30K/120V	7	120	90	3000K	490	90°	3.23	40K	045923117091	12
S11710■	7WLED/DW/GBL/4/40K/120V	7	120	90	4000K	490	90°	3.23	40K	045923117107	12
S11711*	7WLED/DW/GBL/4/50K/120V	7	120	90	5000K	490	90°	3.23	40K	045923117114	12
ACCESSORIES											
80-946	GOOF RING 4" - DIRECT WIRE DL - 6" OUTSIDE DIAMETER									045923809460	12/1
80-950	ROUGH-IN PLATE/4" DIRECT WIRE									0045923809507	24/1

*** Consult Satco or visit www.satco.com for an up to date dimmer compatibility list. ■ Also T24 compliant.

Product sheet SA2593

See warranty for details.

6" Direct wire, gimbal downlights

Applications

- Residential
- Office
- Retail
- Hospitality
- Drop ceilings
- Remodeling

Highlights

- Easy install spring clips
- IC rated
- Low profile
- No recessed can required

Features

Direct replacement for 65 Watt reflector lamps uses only 9 Watts

Integrated j-box for direct wire installation saves time and materials

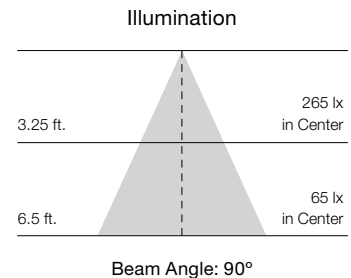
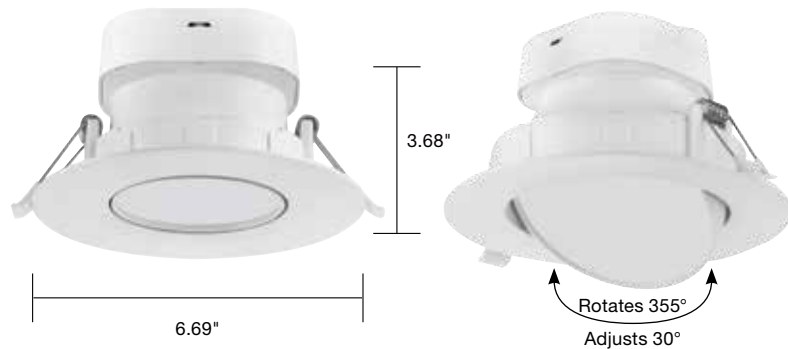
Dimmable**

2700K, 3000K, 4000K and 5000K options
120V

CEC/T20/T24 Compliant

Long life—40,000 hours

5 Year warranty



6" Direct Wire Gimbal Downlights



Item Number	Lamp Description	W	V	CRI	CCT	Lm	Bm	M.O.L. (Inches)	Life/Hrs.	UPC	Case Qty.
S11712* ■	9WLED/DW/GBL/6/27K/120V	9	120	90	2700K	720	90°	3.68	40K	045923117121	12
S11713* ■	9WLED/DW/GBL/6/30K/120V	9	120	90	3000K	720	90°	3.68	40K	045923117138	12
S11714* ■	9WLED/DW/GBL/6/40K/120V	9	120	90	4000K	720	90°	3.68	40K	045923117145	12
S11715*	9WLED/DW/GBL/6/50K/120V	9	120	90	5000K	720	90°	3.68	40K	045923117152	12

ACCESSORIES

80-947	GOOF RING 6" - DIRECT WIRE DL - 8" OUTSIDE DIAMETER	045923809477	12/1
80-951	ROUGH-IN PLATE / 6" DIRECT WIRE	045923809514	24/1

*** Consult Satco or visit www.satco.com for an up to date dimmer compatibility list. ■ Also T24 compliant.

Product sheet SA2594

See warranty for details.

4" Direct wire, back-lit, square downlights

Applications

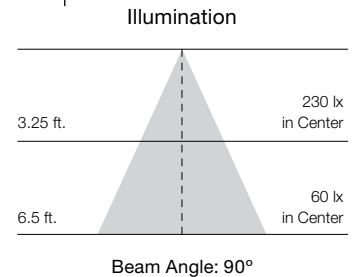
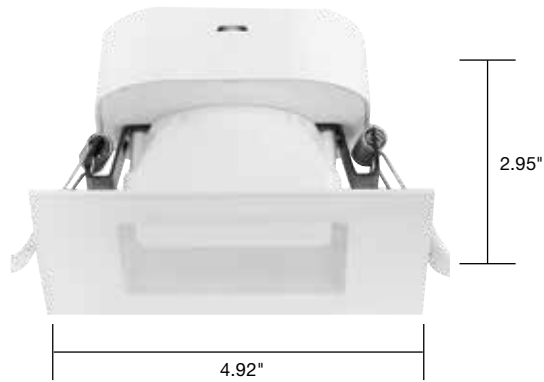
- Residential
- Office
- Retail
- Hospitality
- Drop ceilings
- Remodeling

Highlights

- Easy install spring clips
- IC rated
- Low profile
- No recessed can required

Features

- Direct replacement for 45 Watt reflector lamps uses only 7 Watts**
- Integrated j-box for direct wire installation saves time and materials
- Dimmable**
- 2700K, 3000K, 4000K and 5000K options
- 120V
- CEC/T20/T24 Compliant
- Long life—40,000 hours
- 5 Year warranty



4" Direct Wire, Back-Lit, Square Downlights



Item Number	Lamp Description	W	V	CRI	CCT	Lm	Bm	M.O.L. (Inches)	Life/Hrs.	UPC	Case Qty.
S11700■	7WLED/DW/SQ/4/27K/120V	7	120	90	2700K	490	90°	2.95	40K	045923117008	12
S11701■	7WLED/DW/SQ/4/30K/120V	7	120	90	3000K	490	90°	2.95	40K	045923117015	12
S11702■	7WLED/DW/SQ/4/40K/120V	7	120	90	4000K	490	90°	2.95	40K	045923117022	12
S11703*	7WLED/DW/SQ/4/50K/120V	7	120	90	5000K	490	90°	2.95	40K	045923117039	12

ACCESSORIES

80-950	ROUGH-IN PLATE/4" DIRECT WIRE	0045923809507	24/1
--------	-------------------------------	---------------	------

*** Consult Satco or visit www.satco.com for an up to date dimmer compatibility list. ■ Also T24 compliant.

Product sheet SA2604

See warranty for details.

6" Direct wire, back-lit, square downlights

Applications

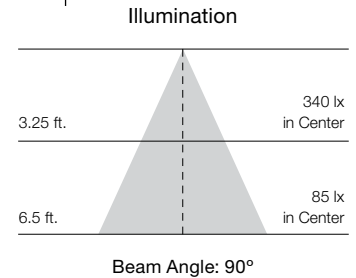
- Residential
- Office
- Retail
- Hospitality
- Drop ceilings
- Remodeling

Highlights

- Easy install spring clips
- IC rated
- Low profile
- No recessed can required

Features

- Direct replacement for 45 Watt reflector lamps uses only 7 Watts**
- Integrated j-box for direct wire installation saves time and materials
- Dimmable**
- 2700K, 3000K, 4000K and 5000K options
- 120V
- CEC/T20/T24 Compliant
- Long life—40,000 hours
- 5 Year warranty



6" Direct Wire, Back-Lit, Square Downlights



Item Number	Lamp Description	W	V	CRI	CCT	Lm	Bm	M.O.L. (Inches)	Life/Hrs.	UPC	Case Qty.
S11704*■	9WLED/DW/SQ/6/27K/120V	9	120	90	2700K	720	90°	3.19	40K	045923117046	12
S11705*■	9WLED/DW/SQ/6/30K/120V	9	120	90	3000K	720	90°	3.19	40K	045923117053	12
S11706*■	9WLED/DW/SQ/6/40K/120V	9	120	90	4000K	720	90°	3.19	40K	045923117060	12
S11707*	9WLED/DW/SQ/6/50K/120V	9	120	90	5000K	720	90°	3.19	40K	045923117077	12
80-951	ROUGH-IN PLATE / 6" DIRECT WIRE									045923809514	24/1

*** Consult Satco or visit www.satco.com for an up to date dimmer compatibility list. ■ Also T24 compliant.

Product sheet SA2605

See warranty for details.

**THE FAST, SIMPLE
AND COMPLETE
DOWNLIGHT
SOLUTION THAT
OFFERS MORE!**



RECESSED

SPRINT® is part of Satco | Nuvo's Functional Fixture category including high quality integrated LED fixtures, easy to install, long life and low maintenance lighting solutions designed for residential, project and builder use.

See warranty for details.

Low profile LED edge-lit downlights



Item Number	Lamp Description	W	V	CRI	CCT	Lm	Bm	M.O.L. (Inches)	Life/ Hrs.	UPC	Pack/ Master
4 1/2" ROUND - GIMBAL - 30° Aiming Angle 4 1/2" Ceiling opening											
S11618	12WLED/DW/GBL/4/930/RND/RD/WHITE	12	120	90	3000K	850	40°	2	50K	045923116186	12/1
S11619	12WLED/DW/GBL/4/930/RND/RD/BLACK	12	120	90	3000K	850	40°	2	50K	045923116193	12/1
S11620	12WLED/DW/GBL/4/930/RND/RD/BRUSHEDNICKEL	12	120	90	3000K	850	40°	2	50K	045923116209	12/1
4 1/2" SQUARE - GIMBAL - 30° Aiming Angle 4 1/2" Ceiling opening											
S11621	12WLED/DW/GBL/4/930/SQ/RD/WHITE	12	120	90	3000K	850	40°	2	50K	045923116216	12/1
S11622	12WLED/DW/GBL/4/930/SQ/RD/BLACK	12	120	90	3000K	850	40°	2	50K	045923116223	12/1
S11623	12WLED/DW/GBL/4/930/SQ/RD/BRUSHEDNICKEL	12	120	90	3000K	850	40°	2	50K	045923116230	12/1
3 1/2" ROUND - GIMBAL - 15° Aiming Angle 3 1/2" Ceiling opening											
S11624	12WLED/DW/GBL/3/930/RND/RD/WHITE	12	120	90	3000K	840	40°	3	50K	045923116247	12/1
S11625	12WLED/DW/GBL/3/930/RND/RD/BLACK	12	120	90	3000K	840	40°	3	50K	045923116254	12/1
S11626	12WLED/DW/GBL/3/930/RND/RD/BRUSHEDNICKEL	12	120	90	3000K	840	40°	3	50K	045923116261	12/1
3 1/2" SQUARE - GIMBAL - 15° Aiming Angle 3 1/2" Ceiling opening											
S11627	12WLED/DW/GBL/3/930/SQ/RD/WHITE	12	120	90	3000K	840	40°	3	50K	045923116278	12/1
S11628	12WLED/DW/GBL/3/930/SQ/RD/BLACK	12	120	90	3000K	840	40°	3	50K	045923116285	12/1
S11629	12WLED/DW/GBL/3/930/SQ/RD/BRUSHEDNICKEL	12	120	90	3000K	840	40°	3	50K	045923116292	12/1
3 1/2" ROUND - DOWNLIGHT 3 1/2" Ceiling opening											
S11630	12WLED/DW/DNL3/930/RND/RD/WHITE	12	120	90	3000K	840	40°	3	50K	045923116308	12/1
S11631	12WLED/DW/DNL3/930/RND/RD/BLACK	12	120	90	3000K	840	40°	3	50K	045923116315	12/1
S11632	12WLED/DW/DNL3/930/RND/RD/BRUSHEDNICKEL	12	120	90	3000K	840	40°	3	50K	045923116322	12/1
3 1/2" SQUARE - DOWNLIGHT 3 1/2" Ceiling opening											
S11633	12WLED/DW/DNL3/930/SQ/RD/WHITE	12	120	90	3000K	840	40°	3	50K	045923116339	12/1
S11634	12WLED/DW/DNL3/930/SQ/RD/BLACK	12	120	90	3000K	840	40°	3	50K	045923116346	12/1
S11635	12WLED/DW/DNL3/930/SQ/RD/BRUSHEDNICKEL	12	120	90	3000K	840	40°	3	50K	045923116353	12/1

ACCESSORIES

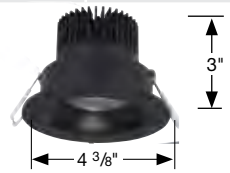
- 80-942 ROUGH-IN PLATE / BARS 3.5" RD
- 80-943 ROUGH-IN PLATE / BARS 4" RD
- 80-944 ROUGH-IN PLATE / BARS 6" RD
- 80-945 ROUGH-IN PLATE / BARS 8" RD
- 80-946 GOOF RING 4" - DIRECT WIRE DL - 6" OUTSIDE DIAMETER
- 80-947 GOOF RING 6" - DIRECT WIRE DL - 8" OUTSIDE DIAMETER
- 80-948 GOOF RING 8" - DIRECT WIRE DL - 10 1/8" OUTSIDE DIAMETER
- 80-949 REMOTE DRIVER 6' EXTENSION CABLE



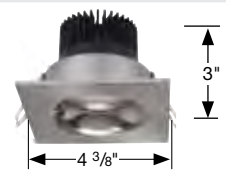
ROUGH-IN PLATE SHOWN WITH BARS. BARS INCLUDED, USAGE OPTIONAL.



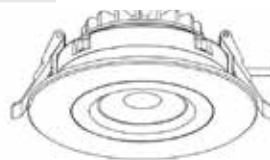
REMOTE DRIVER 6' EXTENSION CABLE



3 1/2" ROUND - DOWNLIGHT



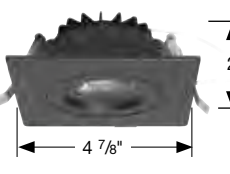
3 1/2" SQUARE - DOWNLIGHT



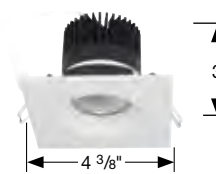
3 1/2" ROUND - GIMBAL



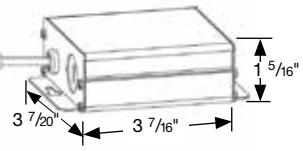
4 1/2" ROUND - GIMBAL



4 1/2" SQUARE - GIMBAL



3 1/2" ROUND - GIMBAL



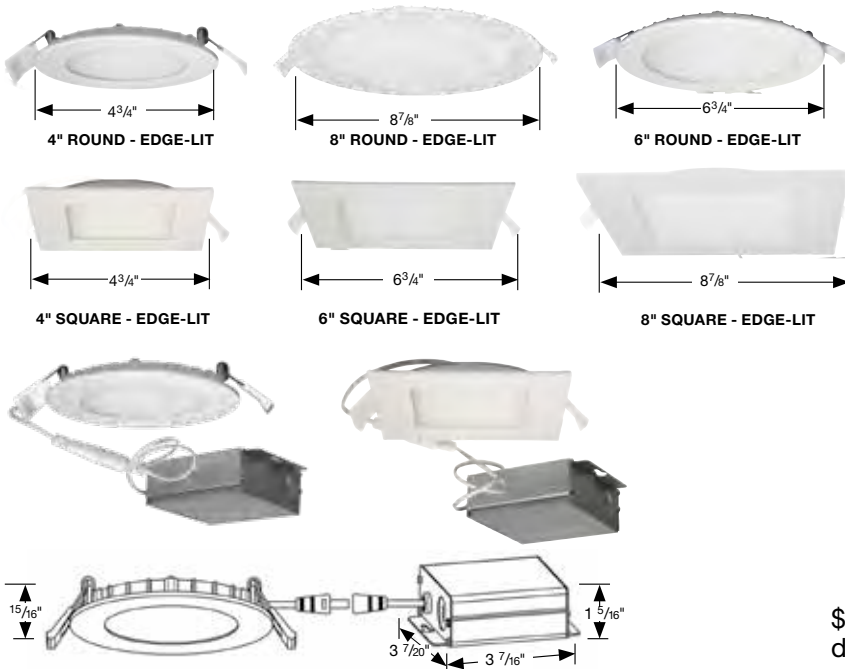
See warranty for details.

Low profile LED downlights



Item Number	Lamp Description	W	V	CRI	CCT	Lm	Bm	M.O.L. (Inches)	Life/ Hrs.	UPC	Pack/ Master
4" ROUND - EDGE-LIT 4 1/8" Ceiling opening											
S11600	10WLED/DW/EL/4/930/RND/RD	10	120	90	3000K	670	108°	0.4	50K	045923116001	12/1
S11601	10WLED/DW/EL/4/940/RND/RD	10	120	90	4000K	670	108°	0.4	50K	045923116018	12/1
S11602	10WLED/DW/EL/4/950/RND/RD	10	120	90	5000K	670	108°	0.4	50K	045923116025	12/1
6" ROUND - EDGE-LIT 6" Ceiling opening											
S11603	12WLED/DW/EL/6/930/RND/RD	12	120	90	3000K	850	108°	0.4	50K	045923116032	12/1
S11604	12WLED/DW/EL/6/940/RND/RD	12	120	90	4000K	850	108°	0.4	50K	045923116049	12/1
S11605	12WLED/DW/EL/6/950/RND/RD	12	120	90	5000K	850	108°	0.4	50K	045923116056	12/1
8" ROUND - EDGE-LIT 8" Ceiling opening											
S11606	24WLED/DW/EL/8/930/RND/RD	24	120	90	3000K	1800	108°	0.4	50K	045923116063	12/1
S11607	24WLED/DW/EL/8/940/RND/RD	24	120	90	4000K	1800	108°	0.4	50K	045923116070	12/1
S11608	24WLED/DW/EL/8/950/RND/RD	24	120	90	5000K	1800	108°	0.4	50K	045923116087	12/1
4" SQUARE - EDGE-LIT 4 1/8" Ceiling opening											
S11609	10WLED/DW/EL/4/930/SQ/RD	10	120	90	3000K	620	108°	0.4	50K	045923116094	12/1
S11610	10WLED/DW/EL/4/940/SQ/RD	10	120	90	4000K	620	108°	0.4	50K	045923116100	12/1
S11611	10WLED/DW/EL/4/950/SQ/RD	10	120	90	5000K	620	108°	0.4	50K	045923116117	12/1
6" SQUARE - EDGE-LIT 6" Ceiling opening											
S11612	12WLED/DW/EL/6/930/SQ/RD	12	120	90	3000K	820	108°	0.4	50K	045923116124	12/1
S11613	12WLED/DW/EL/6/940/SQ/RD	12	120	90	4000K	820	108°	0.4	50K	045923116131	12/1
S11614	12WLED/DW/EL/6/950/SQ/RD	12	120	90	5000K	820	108°	0.4	50K	045923116148	12/1
8" SQUARE - EDGE-LIT 8" Ceiling opening											
S11615	24WLED/DW/EL/8/930/SQ/RD	24	120	90	3000K	1700	108°	0.4	50K	045923116155	12/1
S11616	24WLED/DW/EL/8/940/SQ/RD	24	120	90	4000K	1700	108°	0.4	50K	045923116162	12/1
S11617	24WLED/DW/EL/8/950/SQ/RD	24	120	90	5000K	1700	108°	0.4	50K	045923116179	12/1

Product sheet SA2712



See warranty for details.

Sprint® Counter Top Displays



\$250 minimum purchase required for each free display. \$500 purchase gets both displays.

RECESSED

Commercial downlights with selectable CCT and wattage



Features

- Selectable Wattage and CCT
- Remote driver and J box with knockouts
- Quick connect feature for easy installation
- 120-277 range voltage circuit
- 0-10V dimming
- 2700K, 3000K, 3500K, 4000K, 5000K Selectable
- 80CRI
- Damp location
- cETLus listed
- ENERGY STAR certified
- Long life—50,000 hours
- 5 Year warranty



**White reflector
80° beam angle**

**Silver reflector
40° beam angle**

Outboard LED driver/junction box makes placement easy, even in the most challenging renovations, and mounts securely into available mounting plates for new construction.

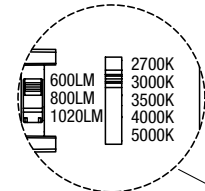


ColorQuick™

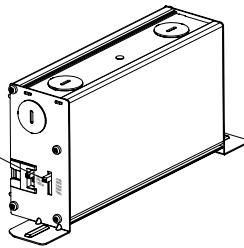
Selectable Color Technology

Spring-loaded arms ensure a tight fit in existing ceilings or mounting plate for new construction.

See warranty for details.



Simple-to-set color temperature, wattage and lumen output.

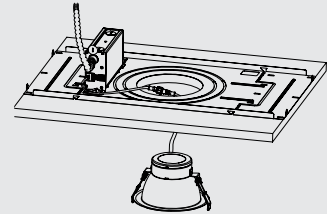
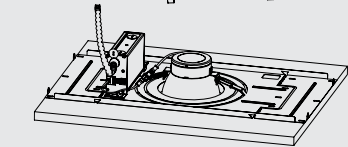
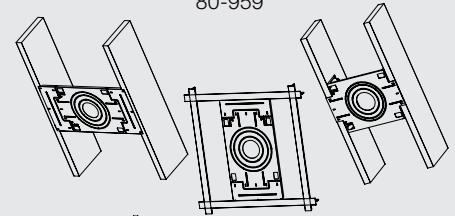


Goof Ring

New construction is easy with the available mounting plate

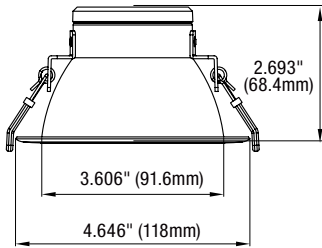


80-959

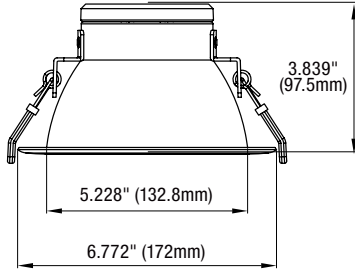


RECESSED

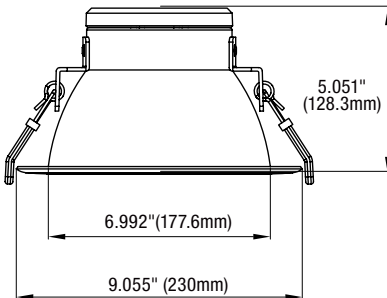
4 inch LED Commercial Downlight



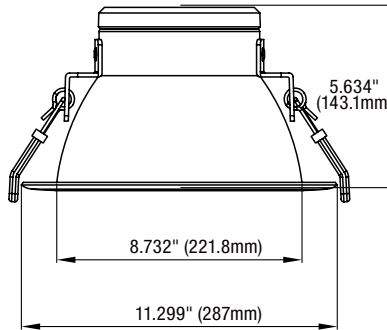
6 inch LED Commercial Downlight



8 inch LED Commercial Downlight



10 inch LED Commercial Downlight



Commercial LED Downlights with Color Quick Technology



Item #	Lamp Description	Watts	CCT	V	Lumens	CRI	MOL	Finish	Life/Hrs.	UPC	M/Case Qty.
S11810	14.5WLED/CDL/4/ADJ-CCT/80D	8.5/11/14.5	27-30-35-40-50K	120-277	600/800/1020	80	2.69"	White	50K	045923118104	4
S11811	23WLED/CDL/6/ADJ-CCT/80D	11/16/23	27-30-35-40-50K	120-277	900/1200/1750	80	3.84"	White	50K	045923118111	4
S11812	32WLED/CDL/8/ADJ-CCT/80D	19/26/32	27-30-35-40-50K	120-277	1600/2000/2450	80	5.05"	White	50K	045923118128	4
S11813	46WLED/CDL/10/ADJ-CCT/80D	33/40/46	27-30-35-40-50K	120-277	2500/3000/3500	80	5.63"	White	50K	045923118135	4
S11814	14.5WLED/CDL/4/ADJ-CCT/40D	8.5/11/14.5	27-30-35-40-50K	120-277	600/800/1020	80	2.69"	Silver	50K	045923118142	4
S11815	23WLED/CDL/6/ADJ-CCT/40D	11/16/23	27-30-35-40-50K	120-277	900/1200/1750	80	3.84"	Silver	50K	045923118159	4
S11816	32WLED/CDL/8/ADJ-CCT/40D	19/26/32	27-30-35-40-50K	120-277	1600/2000/2450	80	5.05"	Silver	50K	045923118166	4
S11817	46WLED/CDL/10/ADJ-CCT/40D	33/40/46	27-30-35-40-50K	120-277	2500/3000/3500	80	5.63"	Silver	50K	045923118173	4

ACCESSORIES

80-946	GOOF RING 4" - DIRECT WIRE DL - 6" OUTSIDE DIAMETER									045923809460	12
80-947	GOOF RING 6" - DIRECT WIRE DL - 8" OUTSIDE DIAMETER									045923809477	12
80-948	GOOF RING 8" - DIRECT WIRE DL - 10 1/8" OUTSIDE DIAMETER									045923809484	12
80-970	GOOF RING 10" - DIRECT WIRE DL - 13 1/4" OUTSIDE DIAMETER									045923809705	12
80-959	ROUGH-IN PLATE/CDL 4/6/8/10									045923809590	12

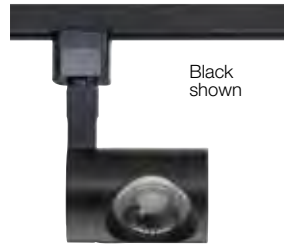
Product sheet SA2652

See warranty for details.

Track heads

Features

- Direct replacement for 75 Watt incandescent uses only 12 Watts
- 24° and 36° beam angles
- Sleek, clean design
- Die cast construction
- 3 Year warranty



Black shown

Pipe

Dimensions: L 2 3/8", t 2 3/8", H 5 3/16"



White shown

Square

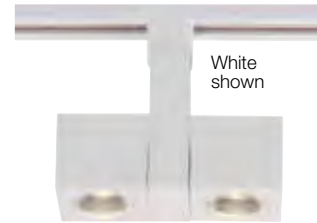
Dimensions: L 2 3/8", W 2 3/4", H 5 3/16"



Black shown

Pipe Dual

Dimensions: L. 6 3/4", W. 2 1/4", H. 6"



White shown

Square Dual

Dimensions: L. 6 3/4", W. 2 1/4", H. 6"

Track Heads

12 WATTS
REPLACES 75W
DIMMABLE
3000 K
90 CRI
30,000 HOURS

Item#	Description	W	Lm	Beam	Finish	CCT	Life/Hrs.	UPC	Pack
TH441	12W LED Track Head - Pipe	12	1020	24°	White	3000K	30K	045923404412	12
TH443	12W LED Track Head - Pipe	12	1020	36°	White	3000K	30K	045923404436	12
TH442	12W LED Track Head - Pipe	12	1020	24°	Black	3000K	30K	045923404429	12
TH444	12W LED Track Head - Pipe	12	1020	36°	Black	3000K	30K	045923404429	12
TH445	12W LED Track Head - Pipe	12	1020	24°	Brushed Nickel	3000K	30K	045923404450	12
TH447	12W LED Track Head - Pipe	12	1020	36°	Brushed Nickel	3000K	30K	045923404474	12
TH461	12W LED Track Head Square	12	1020	24°	White	3000K	30K	045923404610	12
TH463	12W LED Track Head Square	12	1020	36°	White	3000K	30K	045923404634	12
TH462	12W LED Track Head Square	12	1020	24°	Black	3000K	30K	045923404627	12
TH464	12W LED Track Head Square	12	1020	36°	Black	3000K	30K	045923404641	12
TH465	12W LED Track Head Square	12	1020	24°	Brushed Nickel	3000K	30K	045923404658	12
TH467	12W LED Track Head Square	12	1020	36°	Brushed Nickel	3000K	30K	045923404672	12
TH480	24W LED Pipe Dual Track Head	24	2040	24°	Black	3000K	30K	045923404801	12
TH481	24W LED Pipe Dual Track Head	24	2040	36°	Black	3000K	30K	045923404818	12
TH482	24W LED Pipe Dual Track Head	24	2040	24°	White	3000K	30K	045923404825	12
TH483	24W LED Pipe Dual Track Head	24	2040	36°	White	3000K	30K	045923404832	12
TH484	24W LED Square Dual Track Head	24	2040	24°	Black	3000K	30K	045923404849	12
TH485	24W LED Square Dual Track Head	24	2040	36°	Black	3000K	30K	045923404856	12
TH486	24W LED Square Dual Track Head	24	2040	24°	White	3000K	30K	045923404863	12
TH487	24W LED Square Dual Track Head	24	2040	36°	White	3000K	30K	045923404870	12

Product sheet NU1634

See warranty for details.



Black shown

Forged

Dimensions: L. 3 3/4",
W. 2 3/4", H. 6"



Brushed Nickel shown

Piston

Dimensions: L. 3 3/4",
W. 2 3/4", H. 6"



White shown

Round

Dimensions: Width 3",
Height 2 1/4"



Black shown

Pinch Back

Dimensions: Width 2 3/4",
Height 2 3/4", Ext. 5 5/8"



Brushed Nickel shown

Angle Arm

Dimensions: Width 2 1/2",
Height 2 3/8", Ext. 6 1/4"

Track Heads

12 WATTS
REPLACES 75W
DIMMABLE
3000 K
90 CRI
30,000 HOURS
ETL LISTED US

Item #	Description	W	Lm	Beam	Finish	CCT	Life/Hrs.	UPC	Pack
TH488	12W LED Forged Track Head	12	1020	24°	Black	3000K	30K	045923404887	12
TH489	12W LED Forged Track Head	12	1020	36°	Black	3000K	30K	045923404894	12
TH490	12W LED Forged Track Head	12	1020	24°	Brushed Nickel	3000K	30K	045923404900	12
TH491	12W LED Forged Track Head	12	1020	36°	Brushed Nickel	3000K	30K	045923404917	12
TH492	12W LED Forged Track Head	12	1020	24°	White	3000K	30K	045923404924	12
TH493	12W LED Forged Track Head	12	1020	36°	White	3000K	30K	045923404931	12
TH494	12W LED Piston Track Head	12	1020	24°	Black	3000K	30K	045923404948	12
TH495	12W LED Piston Track Head	12	1020	36°	Black	3000K	30K	045923404955	12
TH496	12W LED Piston Track Head	12	1020	24°	White	3000K	30K	045923404962	12
TH497	12W LED Piston Track Head	12	1020	36°	White	3000K	30K	045923404979	12
TH498	12W LED Piston Track Head	12	1020	24°	Brushed Nickel	3000K	30K	045923404986	12
TH499	12W LED Piston Track Head	12	1020	36°	Brushed Nickel	3000K	30K	045923404993	12
TH401	Round White 24° LED Track Head	12	1020	24°	White	3000K	30K	045923404016	12
TH403	Round White 36° LED Track Head	12	1020	36°	White	3000K	30K	045923404030	12
TH402	Round Black 24° LED Track Head	12	1020	24°	Black	3000K	30K	045923404023	12
TH404	Round Black 36° LED Track Head	12	1020	36°	Black	3000K	30K	045923404047	12
TH405	Round Brushed Nickel 24° LED Track Head	12	1020	24°	Brushed Nickel	3000K	30K	045923404054	12
TH407	Round Brushed Nickel 36° LED Track Head	12	1020	36°	Brushed Nickel	3000K	30K	045923404078	12
TH411	Pinch Back White 24° LED Track Head	12	1020	24°	White	3000K	30K	045923404115	12
TH413	Pinch Back White 36° LED Track Head	12	1020	36°	White	3000K	30K	045923404139	12
TH412	Pinch Back Black 24° LED Track Head	12	1020	24°	Black	3000K	30K	045923404122	12
TH414	Pinch Back Black 36° LED Track Head	12	1020	36°	Black	3000K	30K	045923404146	12
TH415	Pinch Back Brushed Nickel 24° LED Track Head	12	1020	24°	Brushed Nickel	3000K	30K	045923404153	12
TH417	Pinch Back Brushed Nickel 36° LED Track Head	12	1020	36°	Brushed Nickel	3000K	30K	045923404177	12
TH421	Angle Arm White 24° LED Track Head	12	1020	24°	White	3000K	30K	045923404214	12
TH423	Angle Arm White 36° LED Track Head	12	1020	36°	White	3000K	30K	045923404238	12
TH422	Angle Arm Black 24° LED Track Head	12	1020	24°	Black	3000K	30K	045923404221	12
TH424	Angle Arm Black 36° LED Track Head	12	1020	36°	Black	3000K	30K	045923404245	12
TH425	Angle Arm Brushed Nickel 24° LED Track Head	12	1020	24°	Brushed Nickel	3000K	30K	045923404252	12
TH427	Angle Arm Brushed Nickel 36° LED Track Head	12	1020	36°	Brushed Nickel	3000K	30K	045923404276	12

TRACK

See warranty for details.

Track heads (continued)



Barrel

Dimensions: Width 2 1/4",
Height 3 1/4", Ext. 5"

Taper Back

Dimensions: Width 2 13/16",
Height 3 1/4", Ext. 5 1/4"

Small Cylinder

Dimensions: Width 2 3/16",
Height 3 1/2", Ext. 5 3/16"

12 WATTS
REPLACES 75W
DIMMABLE
3000 K
90 CRI
30,000 HOURS

Item Number	Description	W	Lm	Beam	Finish	CCT	Life/Hrs.	UPC	Pack
TH431	12W LED Track head - Barrel	12	1020	24°	White	3000K	30K	045923404313	12
TH433	12W LED Track head - Barrel	12	1020	36°	White	3000K	30K	045923404337	12
TH432	12W LED Track head - Barrel	12	1020	24°	Black	3000K	30K	045923404320	12
TH434	12W LED Track head - Barrel	12	1020	36°	Black	3000K	30K	045923404344	12
TH435	12W LED Track head - Barrel	12	1020	24°	Brushed Nickel	3000K	30K	045923404351	12
TH437	12W LED Track head - Barrel	12	1020	36°	Brushed Nickel	3000K	30K	045923404375	12
TH451	12W LED Track Head Taper Back	12	1020	24°	White	3000K	30K	045923404511	12
TH453	12W LED Track Head Taper Back	12	1020	36°	White	3000K	30K	045923404535	12
TH452	12W LED Track Head Taper Back	12	1020	24°	Black	3000K	30K	045923404528	12
TH454	12W LED Track Head Taper Back	12	1020	36°	Black	3000K	30K	045923404542	12
TH455	12W LED Track Head Taper Back	12	1020	24°	Brushed Nickel	3000K	30K	045923404559	12
TH457	12W LED Track Head Taper Back	12	1020	36°	Brushed Nickel	3000K	30K	045923404573	12
TH471	12W LED Track Small Cylinder	12	1020	24°	White	3000K	30K	045923404719	12
TH473	12W LED Track Small Cylinder	12	1020	36°	White	3000K	30K	045923404733	12
TH472	12W LED Track Small Cylinder	12	1020	24°	Black	3000K	30K	045923404726	12
TH474	12W LED Track Small Cylinder	12	1020	36°	Black	3000K	30K	045923404740	12
TH475	12W LED Track Small Cylinder	12	1020	24°	Brushed Nickel	3000K	30K	045923404757	12
TH477	12W LED Track Small Cylinder	12	1020	36°	Brushed Nickel	3000K	30K	045923404771	12

Product sheet NU1347, NU1442

See warranty for details.

LED track kits and accessories

Features

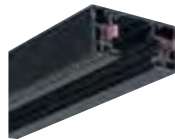
- 2460 lumens - 820 lumens per head
- 36° beam angles
- Sleek, clean design
- Die cast construction
- 3 Year warranty

Include

- 4' Track
- Floating canopy power feed
- All necessary mounting hardware



3 Conductor "H" type connector



Track with end cap removed

Round



White shown



Black shown

Angle Arm



Brushed Nickel shown

TRACK

LED Track Kits and Accessories

36 WATTS
DIMMABLE
3000 K
90 CRI
30,000 HOURS
ETL

Item Number	Description	V	Total Watts	Finish	Total Lumens	CCT	Life/Hrs.	UPC	Pack
TK403	Round White 3 Light LED Track Kit	120	36	White	3060	3000K	30K	045923434037	4
TK404	Round Black 3 Light LED Track Kit	120	36	Black	3060	3000K	30K	045923434044	4
TK407	Round Brushed Nickel 3 Light LED Track Kit	120	36	Brushed Nickel	3060	3000K	30K	045923434075	4
TK413	Pinch Back White 3 Light LED Track Kit	120	36	White	3060	3000K	30K	045923434136	4
TK414	Pinch Back Black 3 Light LED Track Kit	120	36	Black	3060	3000K	30K	045923434143	4
TK417	Pinch Back Brushed Nickel 3 Light LED Track Kit	120	36	Brushed Nickel	3060	3000K	30K	045923434174	4
TK423	Angle Arm White 3 Light LED Track Kit	120	36	White	3060	3000K	30K	045923434235	4
TK424	Angle Arm Black 3 Light LED Track Kit	120	36	Black	3060	3000K	30K	045923434242	4
TK427	Angle Arm Brushed Nickel 3 Light LED Track Kit	120	36	Brushed Nickel	3060	3000K	30K	045923434273	4

Product sheet NU1383

See warranty for details.

Canopy monopoint wall or flush mount

LED efficiency, high quality
and great value.

Features

- 120V
- Direct replacement for 75 Watt incandescent uses only 12 Watts
- 36° beam angles
- Sleek, clean design
- Die cast construction
- 3 Year warranty
- Wall or ceiling mount



Barrel
62-1105 Black, 36°
Dimensions: Width 4 3/4",
Height 4 1/4", Ext.4 3/4"



Barrel
62-1106 White, 36°
Dimensions: Width 4 3/4",
Height 4 1/4", Ext.4 3/4"



Taper Back
62-1107 Black, 36°
Dimensions: Width 4 3/4",
Height 4 1/2", Ext.4 3/4"



Taper Back
62-1108 White, 36°
Dimensions: Width 4 3/4",
Height 4 1/2", Ext.4 3/4"

Canopy Monopoint Wall or Flush Mount

12 WATTS
REPLACES 75W
DIMMABLE
3000 K
90 CRI
30,000 HOURS
ETL
US

Item #	Description	W	Lm	Beam	Finish	CCT	Life/Hrs.	UPC	Pack
62-1105	12W LED Barrel Monopoint	12	1020	36°	Black	3000K	30K	045923621178	6
62-1106	12W LED Barrel Monopoint	12	1020	36°	White	3000K	30K	045923621185	6
62-1107	12W LED Taper Back Monopoint	12	1020	36°	Black	3000K	30K	045923621192	6
62-1108	12W LED Taper Back Monopoint	12	1020	36°	White	3000K	30K	045923621208	6

Product sheet NU1634

See warranty for details.



2 Ft. Track Bar
 TH502 White, 30°
 TH503 Black, 30°
 Dimensions: L 24",
 W 1 1/2", H 1 1/2"



1 Ft. Track Bar
 TH500 White, 30°
 TH501 Black, 30°
 Dimensions: L 13 1/2",
 W 1 1/2", H 1 1/2"



3 Ft. Track Bar
 TH504 White, 30°
 TH505 Black, 30°
 Dimensions: L 34 1/4",
 W 1 1/2", H 1 1/2"



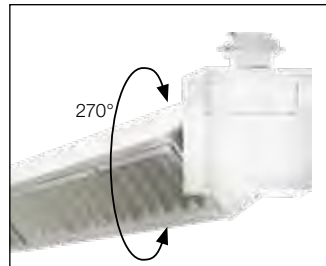
4 Ft. Track Bar
 TH506 White, 30°
 TH507 Black, 30°
 Dimensions: L 44 3/4",
 W 1 1/2", H 1 1/2"

Linear track bars

Features

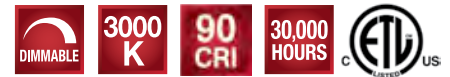
- Adjustable
- 30° beam angle
- 3 Year warranty

Linear Track Bar
 Rotates 270°



TRACK

Linear Track Bars



Item#	Description	W	Lm	Beam	Finish	CCT	Life/Hrs.	UPC	Pack
TH500	15W 1 Foot Track light	15	960	30°	White	3000K	30K	045923405006	12
TH501	15W 1 Foot Track light	15	960	30°	Black	3000K	30K	045923405013	12
TH502	30W 2 Foot Track light	30	1920	30°	White	3000K	30K	045923405020	12
TH503	30W 2 Foot Track light	30	1920	30°	Black	3000K	30K	045923405037	12
TH504	45W 3 Foot Track Bar	45	2880	30°	White	3000K	30K	045923405044	12
TH505	45W 3 Foot Track light	45	2880	30°	Black	3000K	30K	045923405051	12
TH506	60W 4 Foot Track light	60	3840	30°	White	3000K	30K	045923405068	12
TH507	60W 4 Foot Track light	60	3840	30°	Black	3000K	30K	045923405075	12

Product sheet NU1634

See warranty for details.

Track accessories

Tracks

All tracks include two dead end caps and all mounting hardware
 Dimensions: Height 5/8", Width 1 5/16"
 (length and color options below)

Size	White	Black	Brushed Nickel
2 FT	TR118	TR119	TR126
4 FT	TR120	TR121	TR127
6 FT	TR124	TR125	TR128
8 FT	TR122	TR123	TR129

Master Carton / 6

See Nuvo NU4030 for complete track program.



TRACK POWER FEEDS



Floating Canopy
 Electrifies the track anywhere along the length of the run
 TP154 White
 TP155 Black
 TP202 Brown



Conduit Live End
 Electrifies the track from the end of the run to a conduit pipe
 TP169 White
 TP170 Black
 TP203 Brown



Live End and Canopy
 Electrifies the track from the end of the run
 TP152 White
 TP153 Black
 TP204 Brown



"T" Connector
 Connects three tracks together in a "T" shape pattern
 TP148 White
 TP149 Black
 TP207 Brown



Inline Feed
 Connects tracks in a straight run and supplies power
 TP171 White
 TP172 Black
 TP211 Brown
 MASTER CARTON / 12

TRACK CONNECTORS



Mini Straight Connector
 Connects tracks in a straight run
 TP144 White
 TP145 Black
 TP 205 Brown



"L" Connector
 Connects tracks at a 90° angle
 TP146 White
 TP147 Black
 TP208 Brown



"X" Connector
 Connects four tracks together in an "X" shape pattern
 TP150 White
 TP151 Black
 TP206 Brown



Flexible Connector
 Variable angle connector
 TP167 White
 TP168 Black
 TP209 Brown

Master Carton / 12

Product sheet NU1383

See warranty for details.

Thread® linear LED lighting system.
Simple. Functional. Consistent. Reliable.



THREAD®
LINEAR LED SYSTEM



Cove and
under-cabinet

UNDER CABINET & COVE

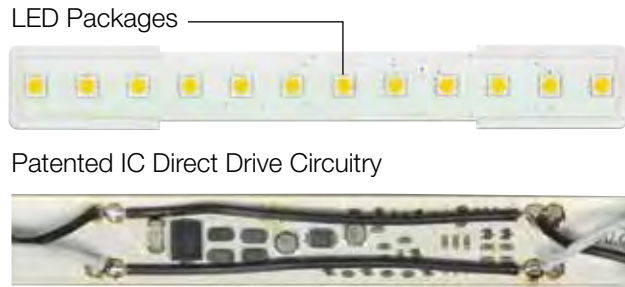
Add dramatic LED lighting to any space, simply.

See warranty for details.

Thread Linear LED System Technical Overview

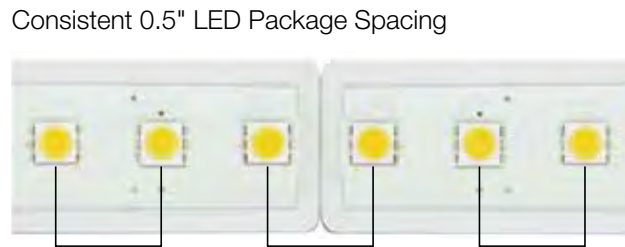
Thread internals

- Advanced on-board IC direct drive technology
- No external driver required
- No capacitor = greater reliability and longer life
- Reduced size



Linear lighting continuity

- Custom PCB (printed circuit board) layout and fixture body design maintain LED package spacing as LED fixtures are joined together.



Removable diffuser lens (included)

- Softens visual glare
- Reduced reflectivity of LEDs from polished surfaces
- With lens removed lumen output increases by approximately 15%
- Beam angle 110°

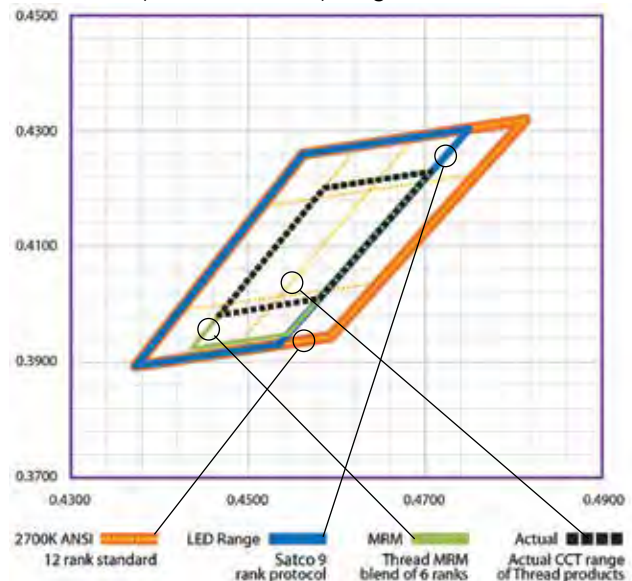


Advanced color management

It's what makes Thread different.

- The ANSI range of 2700K is divided into 12 ranks.
- Our LED Packages only use 9 of the 12 ranks within the ANSI standard.
- Without the MRM procedure, the CCT may be spread over the range inside the blue diamond.
- After MRM, the range of CCT will shrink to within the green diamond.
- The Thread system, uses only 6 ranks and blends those ranks, so that the actual CCT range is much smaller and is similar to a 5-step MacAdam ellipse.
- Ranking falls within the black dashed diamond.

MRM (Multi- Rank Mix) Diagram



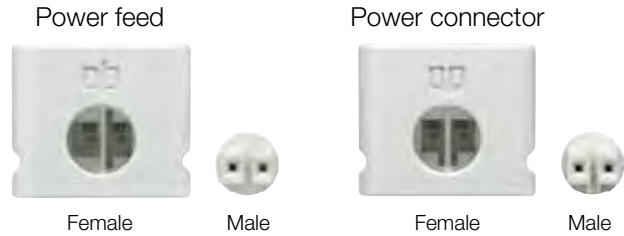
Product sheet NU1185

See warranty for details.

Connections are quick and easy

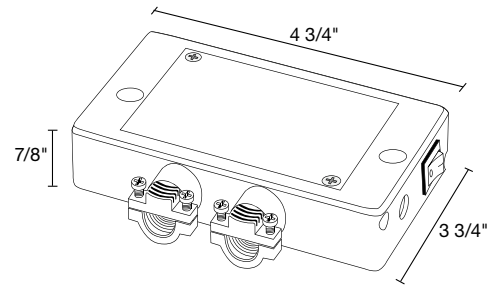
Keyed connectors

- Assures proper current flow
- Makes connections simple

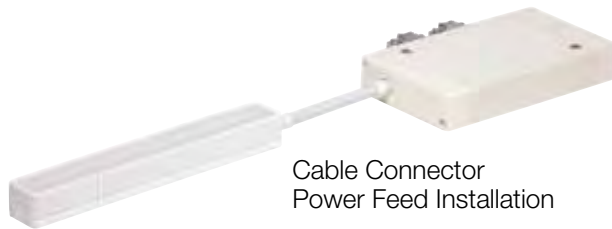


Junction box

- Available with and without on/off side mounted rocker switch
- Supplied with 1/4" BX connectors and rubber hole plugs
- Approved for branch circuit wiring
- Accepts 14/3 wire
- 1/2" Knockouts on back of box
- Female power connector located on side of box



Direct Connector
Power Feed Installation



Cable Connector
Power Feed Installation

Accessories

Each Thread linear LED system comes with:



Power accessories (optional)

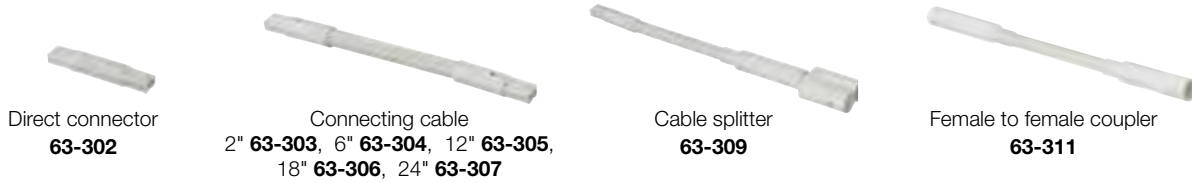


See warranty for details.

Product sheet NU1185

Accessories

Connection accessories (optional)



Key features

Available in 6", 10", 21" and 30"
 On board IC driver—no external driver required
 2700K or 3500K
 312 Lumens per foot at 2700K
 330 Lumens per foot at 3500K
 CRI 80+
 Diffuser lens for even light—eliminates hot spots and glare - included
 Flat mounting clips, 45° mounting clips, removable diffusing lens and closed end cap included with each unit
 Very low heat, no UV or IR radiation
 Junction box or portable installations—various connection accessories available
 Up to 65' continuous runs off one power feed

Exact spacing of LEDs, including fixture to fixture for consistent, even lighting
 50,000 hours rated life
 ENERGY STAR certified for under-cabinet and cove applications
 5 year warranty*
 Construction: Extruded polycarbonate body and diffuser lens
 Power: 120V AC
 Light source: LED 2700K and 3500K
 Finish: White
 Dimming to less than 5% with electronic low voltage (ELV) dimmers
 Damp location listed

ENERGY STAR, ETL and FCC certification



Item Number	Size Type	Color Temp.	W	V	Luminous Flux	Luminous Efficacy	Color Index	Beam Angle	Dimensions	Life/Hours	UPC	Pack
63-101	6"	2700K	1.8	120	166	86	80↑	110°	6" L x .826" W x .708" H	50K	045923261015	6
63-201	6"	3500K	1.8	120	180	100	80↑	110°	6" L x .826" W x .708" H	50K	045923262012	6
63-102	10"	2700K	3	120	268	89	80↑	110°	10" L x .826" W x .708" H	50K	045923261022	6
63-202	10"	3500K	3	120	278	92	80↑	110°	10" L x .826" W x .708" H	50K	045923262029	6
63-103	21"	2700K	7	120	593	84	80↑	110°	21" L x .826" W x .708" H	50K	045923261039	6
63-203	21"	3500K	7	120	607	86	80↑	110°	21" L x .826" W x .708" H	50K	045923262036	6
63-104	30"	2700K	10	120	804	80	80↑	110°	30" L x .826" W x .708" H	50K	045923261046	6
63-204	30"	3500K	10	120	833	83	80↑	110°	30" L x .826" W x .708" H	50K	045923262043	6

Product sheet NU1185

See warranty for details.

Satco smart home Z wave enabled devices

Control lighting and small appliances from smart phones, anywhere, anytime.



Satco's new smart home wall switches and plug-in modules allow you to control lighting, and even small appliances, right from a smart phone, anywhere you are. Enable the app for your home's Z-Wave enabled hub in a phone, and it will speak directly to our products. And each switch or module are signal repeaters, meaning the signal hops from one to the next creating a complete "mesh network" throughout the home, controllable

from anywhere. Z-Wave is the most open development environment for smart products and services, and is the protocol of choice for more than 400 of today's leading global manufacturers. And service providers have made Z Wave their protocol of choice as well. Satco's smart home plug-in modules and switches make Satco part of the world's largest ecosystem of smart "things" for the IOT.

Smart home gear: 86-100 plug-in appliance module

Features

- Turns ON/OFF incandescent, CFL, or LED lamps, and AC operated electrical appliances
- LED back-lit Key for manual ON/OFF and status indicator
- Z-Wave Plus Certified
- Controls appliances up to 15A
- Functions as Z-Wave signal repeater
- Grounded 3-pin AC power receptacle to enhance safety
- Compact design - does not block the 2nd AC outlet
- Over-The-Air firmware upgrade available, if supported by controller
- Supports Network Wide Inclusion (inclusion through a repeater), if supported by controller
- Powered by Sigma Design 500 Series module inside



General

Parameter	
Operating Temperature	32° F to 104° F
Storage Temperature	-4° F to 140° F
Storage Humidity	80%
Electrical Ratings	
Input Voltage	120 VAC RMS
Input Frequency	60Hz
Maximum Output Load	900W incandescent, 200W CFL/LED, ½ horsepower motor and 15A, 1800W resistive load
Fuse	0.5A
Z-Wave Frequency for USA and Canada	908.4Mhz at 40kps, 916Mhz at 100kps
Wireless Range (controller & repeater)	130 ft. at open air, 1 meter high, LOS
Modulation	FSK/GFSK
Tx Power from IC setting	2 dbm
Rx Sensitivity at 40 kps	-99 dbm
Rx Sensitivity at 100 kps	-91.8 dbm

Mechanical Parameters	
Dimensions	Body: L3.27" X W2.13" X H1.5"
With plug:	L3.27" X W2.13" X H2.32"
Color	Munsell N9 Apple White
Material	PC, Type 6485

Supplied Parts	
Description	Quantity
86-100 Plug-In Appliance Module	1
Instruction Manual	1

Product sheet SA2070



See warranty for details.

Smart home gear: 86-101 plug-in dimmer module

Features

- Works with incandescent and most dimmable fluorescent (CFL), or LED lighting
- LED back-lit Key for manual ON/OFF and status indicator
- GROUP/SCENE/ALL enabled, if supported by controller
- Over-The-Air firmware upgrade available, if supported by controller
- Supports Network Wide Inclusion (inclusion through a repeater), if supported by controller
- Powered by Sigma Design 500 Series module inside
- Compact design - does not block the 2nd AC outlet
- Functions as Z-Wave repeater



General

Parameter	
Operating Temperature	32° F to 104° F
Storage Temperature	-4° F to 140° F
Storage Humidity	80%
Electrical Ratings	
Input Voltage	120 VAC RMS
Input Frequency	60Hz
Maximum Output Load	Incandescent 300W (2.5A), Dimmable CFL/LED 65W Fuse 5A
Fuse	5A
Dimmer conduction angle	90% at max fully on position
Z-Wave Frequency for USA and Canada	908.4Mhz at 40kps, 916Mhz at 100kps
Wireless Range (controller & repeater)	130 ft. at open air, 1 meter high, LOS
Modulation	FSK/GFSK
Tx Power from IC setting	2 dbm
Rx Sensitivity at 40 kps	-99 dbm
Rx Sensitivity at 100 kps	-91.8 dbm

Mechanical Parameters	
Dimensions	Body: L3.27" X W2.13" X H1.5"
With plug:	L3.27" X W2.13" X H1.5"
Color	Munsell N9 Apple White
Material	PC, Type 6485

Supplied Parts	
Description	Quantity
86-101 Plug-In Dimmer Module 1	1
Instruction Manual	1

Product sheet SA2071

See warranty for details.



Smart home gear: 86-102 in-wall light switch

Features

- Works with incandescent lamps, fluorescent (CFL), and LED lighting
- Fits standard wall plate (not included)
- Z-Wave Plus Certified
- Clean design with white LED status indicator
- GROUP/ALL enabled, if supported by controller
- Multiple scene control using double and triple tap
- Provides instant manual status change to controller
- Supports Central Scene command class
- Over-The-Air firmware upgrade available, if supported by controller
- Supports Network Wide Inclusion (inclusion through a repeater), if supported by controller
- Powered by Sigma Design 500 Series module inside
- Functions as a Z-Wave signal repeater
- Supports screw and wire terminals



General

Parameter	
Operating Temperature	32° F to 104° F
Storage Temperature	-4° F to 140° F
Storage Humidity	80%
Electrical Ratings	
Input Voltage	120 VAC RMS
Input Frequency	60Hz
Wire Terminals	Requires neutral
Maximum Output Load	900W incandescent, 200W CFL/LED, ½ horsepower motor and 15A, 1800W resistive load
Fuse	0.5A
Z-Wave Frequency for USA and Canada	908.4Mhz at 40kps, 916Mhz at 100kps
Wireless Range (controller & repeater)	130 ft. at open air, 1 meter high, LOS
Modulation	FSK/GFSK
Tx Power from IC setting	2 dbm
Rx Sensitivity at 40 kps	-99 dbm
Rx Sensitivity at 100 kps	-91.8 dbm
Standby Current	25mA

Mechanical Parameters	
Dimensions	Body: 2.8"x1.71"x1.41" Yoke: 4.13"x2.13"x.076"
Minimum Hole for Wire	Accepts #12 AWG (0.081" dia) Doesn't Accept #8 AWG (0.1285" dia)
Wire Type	Copper or plated aluminum
Clamp Parts	Copper only
Wire Binding Screws	UL 486a/b: Minimum Dia=#6(.138) Max Threads/inch = 36
Color	Munsell N9 Apple White
Material	PC, Type 6485

Supplied Parts	
Description	Quantity
86-102 In-Wall Light Switch	1
Mounting Screws	2
Instruction Manual	1

Product sheet SA2072



See warranty for details.

Smart home gear: 86-103 in-wall dimmer

Features

- Works with incandescent and most dimmable fluorescent (CFL), or LED lighting
- 7 LEDs to indicate ON/OFF/Dimming level status
- Fits standard wall plate (not included)
- Z-Wave Plus Certified
- GROUP/ALL enabled, if supported by controller
- Multiple scene control using double and triple tap
- Provides instant manual status change to controller
- Supports Central Scene command class
- Over-The-Air firmware upgrade available, if supported by controller
- Supports Network Wide Inclusion (inclusion through a repeater), if supported by controller
- Powered by Sigma Design 500 Series module inside
- Functions as a Z-Wave signal repeater
- Supports screw and wire terminals



General

Parameter	
Operating Temperature	32° F to 104° F
Storage Temperature	-4° F to 140° F
Storage Humidity	80%
Electrical Ratings	
Input Voltage	120 VAC RMS
Input Frequency	60Hz
Maximum Output Load	Incandescent (600W, single gang), Dimmable CFL/LED (150W)
Wire Terminals	Requires neutral
Fuse	10A
Z-Wave Frequency for USA and Canada	908.4Mhz at 40kps, 916Mhz at 100kps
Wireless Range (controller & repeater)	130 ft. at open air, 1 meter high, LOS
Modulation	FSK/GFSK
Tx Power from IC setting	2 dbm
Rx Sensitivity at 40 kps	-99 dbm
Rx Sensitivity at 100 kps	-91.8 dbm
Standby Current	25mA

Mechanical Parameters	
Dimensions	Body:2.8"x1.71"x1.41" Yoke: 4.13"x2.13"x.076"
Wire Terminals	Line, Load, Ground, Traveler, Neutral
Minimum Hole for Wire	Accepts #12 AWG (0.081" dia) Doesn't Accept #8 AWG (0.1285" dia)
Wire Type	Copper or plated aluminum
Clamp Parts	Copper only
Wire Binding Screws	UL 486a/b: Minimum Dia=#6(.138) Max Threads/inch = 36
Color	Munsell N9 Apple White
Material	PC, Type 6485

Supplied Parts	
Description	Quantity
86-103 In-Wall Dimmer	1
Mounting Screws	2
Instruction Manual	1

Product sheet SA2073



See warranty for details.

Smart home gear: 86-104 3-way auxiliary switch

Features

- 3 way switch that works with Satco 86-102 wall switch or 86-103 wall dimmer
- Fits standard wall plate (not included)
- Reliable and affordable way to add 3 way or 4 way switch
- Up to 3 86-104 auxiliary switches (5 way) can be used with one Satco in wall switch or dimmer
- Connects and controls through traveler wire
- When used with Satco 86-103 dimmer, 86-104 can also be used to control dimming
- Multiple scene control using double and triple tap
- Provides instant manual status change to controller
- Supports Central Scene command class
- Supports screw and wire terminals



General

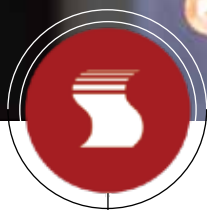
Parameter	
Operating Temperature	32° F to 104° F
Storage Temperature	-4° F to 140° F
Storage Humidity	80%
Mechanical Parameters	
Dimensions	Body: 2.8"x1.71"x1.41" Yoke: 4.13"x2.13"x.076"
Wire Terminals	Traveler, Neutral, Ground. Requires neutral and traveler wire
Minimum Hole for Wire	Accepts #12 AWG (0.081" dia) Doesn't Accept #8 AWG (0.1285" dia)
Wire Type	Copper only
Clamp Parts	Copper or plated aluminum
Wire Binding Screws	UL 486a/b: Minimum Dia=#6(.138) Max Threads/inch = 36
Color	Munsell N9 Apple White
Material	PC, Type 6485

Supplied Parts	
Description	Quantity
86-104 3 Way Auxiliary Switch	1
Mounting Screws	2
Instruction Manual	1



Product sheet SA2074

See warranty for details.



EVENINGS BECOME SPECIAL UNDER A WARM, SOFT GLOW.

A new classic 24-ft LED decorative string light, which can transform any space into a stylish evening experience. Each strand includes 12 energy efficient, vintage style Edison LED light bulbs which deliver a perfect warm glow. Featuring a heavy duty, weatherproof cord with slots for easy installation, yet flexible so they can be used to illuminate various spaces such as patios, decks, pool areas and gazebos to name just a few.

24FT. DURABLE OUTDOOR LED STRING LIGHT

INCLUDES 12 VINTAGE STYLE LED BULBS

CAN LINK UP TO 30 STRINGS (720FT.)

EASY TO INSTALL

TRANSFORMS DECKS, PORCHES, AND PATIOS

PERFECT FOR ENTERTAINING AND PARTIES



S8020
24-FT/ 12 Light LED string set



S8021 S14
replacement
lamps available

Product sheet SA2719

See warranty for details.

DECORATIVE STRING LIGHTS

Link a maximum of 30 sets for up to 720 continuous feet.

Heavy duty 18 gauge wire

12 Watts total

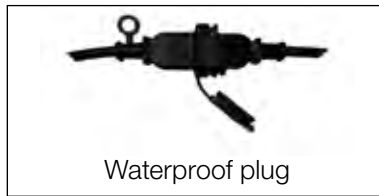
Includes 12, 1 Watt LED bulbs and one 24' string

2700K warm white

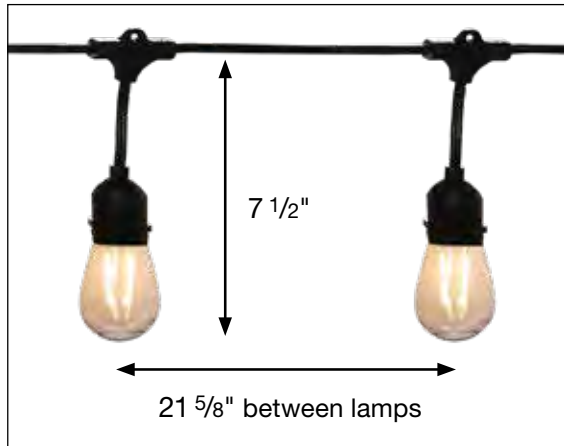
3 Year warranty

E26 Base lamps

Wet location rated



DIMENSIONS



ACCESSORIES



Item	Description	W	V	CRI	CCT	Lm	Life/Hrs.	UPC	Pack/Mstr.
LED Decorative string lights									
S8020	24' INDOOR / OUTDOOR - BLACK	12W (1W x 12)	120V	>80	2700K	1200 (100 x 12)	15K	045923080203	4
LED String light replacement lamps									
S8021	1W S14 REPLACEMENT LAMPS - 4PK	1W	120V	>80	2700K	100	15K	045923080210	24-4pks

Product sheet SA2719

See warranty for details.

Item #	Page#	Item #	Page#	Item #	Page#	Item #	Page#
25-4091	60	62-1067	14	62-1200	79	62-1385	28
25-9002	43, 44	62-1068	14	62-1201	79	62-1386	28
60-673	79	62-1069	14	62-1202	79	62-1387	28
60-674	79	62-1071	15	62-1203	79	62-1410	65
60-675	79	62-1072	15	62-1204	79	62-1411	65
60-676	79	62-1073	15	62-1205	79	62-1413	65
60-677	79	62-1074	15	62-1206	79	62-1414	65
60-678	79	62-1075	15	62-1207	79	62-1416	65
60-679	79	62-1076	15	62-1208	79	62-1417	65
60-680	79	62-1077	15	62-1221R1	101	62-1419	65
62-458	62	62-1078	15	62-1223R1	101	62-1420	65
62-459	62	62-1095	70	62-1231R1	101	62-1431	59
62-460	62	62-1096	70	62-1233R1	101	62-1432	59
62-468	62	62-1097	70	62-1235R1	101	62-1435	56
62-469	62	62-1098	70	62-1237R1	101	62-1436	56
62-470	62	62-1105	140	62-1241R1	101	62-1437	56
62-745	68	62-1106	140	62-1251	22	62-1438	56
62-746	68	62-1107	140	62-1252	23	62-1439	57
62-747	68	62-1108	140	62-1253	22	62-1440	57
62-748	68	62-1137	102	62-1254	24	62-1441	56
62-765	68	62-1138	102	62-1255	25	62-1442	61
62-766	68	62-1139	102	62-1256	25	62-1443	61
62-786	63	62-1141R1	103	62-1257	25	62-1444	61
62-787	63	62-1142R1	103	62-1261R1	67	62-1445	58
62-788	63	62-1143R1	103	62-1262R1	67	62-1515	21
62-789	63	62-1144R1	103	62-1263R1	67	62-1516	21
62-791R1	69	62-1145R1	103	62-1264R1	67	62-1517	21
62-792R1	69	62-1146R1	103	62-1265	67	62-1518	21
62-795	71	62-1147	102	62-1266	67	62-1519	21
62-796R1	71	62-1148	102	62-1267	67	62-1520	21
62-797	72	62-1149	102	62-1268	67	62-1521	21
62-798	72	62-1151	22	62-1291	30	62-1522	21
62-928	49	62-1152	23	62-1292	30	62-1523	21
62-1031	59	62-1153	22	62-1294	30, 31	62-1524	21
62-1032	59	62-1154	24	62-1295	30, 31	62-1525	21
62-1033	59	62-1155	25	62-1301	41	62-1526	21
62-1034	59	62-1156	25	62-1302	41	62-1527	21
62-1035	56	62-1157	25	62-1303	41	62-1528	21
62-1036	56	62-1161	66	62-1304	41	62-1529	21
62-1037	56	62-1162	66	62-1305	41	62-1530	21
62-1038	56	62-1163	66	62-1306	41	62-2932	60
62-1039	57	62-1164	66	62-1307	41	62-2934	60
62-1040	57	62-1165	66	62-1308	41	62-2936	60
62-1041	56	62-1166	66	62-1310	67	63-101	143
62-1042	61	62-1167	66	62-1311	67	63-102	143
62-1043	61	62-1168	66	62-1312	67	63-103	143
62-1044	61	62-1171	26	62-1313	67	63-104	143
62-1045	58	62-1172	27	62-1340	64	63-201	143
62-1046	58	62-1173	26	62-1341	64	63-202	143
62-1051	22	62-1174	27	62-1342	64	63-203	143
62-1052	23	62-1175	28	62-1343	64	63-204	143
62-1053	22	62-1176	28	62-1371	26	63-301	145
62-1054	24	62-1177	28	62-1372	27	63-302	143
62-1055	25	62-1181	26	62-1373	26	63-303	143
62-1056	25	62-1182	27	62-1374	27	63-304	143
62-1057	25	62-1183	26	62-1375	28	63-305	143
62-1061	14	62-1184	27	62-1376	28	63-306	143
62-1062	14	62-1185	28	62-1377	28	63-307	143
62-1063	14	62-1186	28	62-1381	26	63-309	143
62-1064	14	62-1187	28	62-1382	27	63-311	143
62-1065	14	62-1191	30	62-1383	26	63-314	145
62-1066	14	62-1192	30	62-1384	27	63-315	145

Item #	Page#	Item #	Page#	Item #	Page#	Item #	Page#
65-054	97	65-195	18	65-410	105	65-595	10
65-055	97	65-196	18	65-411	104	65-596	10
65-062	88	65-197	19	65-412	104	65-597	10
65-063	89	65-198	19	65-421	12	65-604	77
65-084	97	65-199	19	65-422	12	65-605	77
65-113	100	65-200	19	65-423	12	65-609	77
65-114	100	65-210	75	65-427	12	65-610	77
65-131	84	65-212	75	65-428	12	65-613	77
65-132	84	65-213	75	65-429	12	65-615	77
65-133	84	65-214	75	65-430	12	65-616	77
65-134	85	65-215	75	65-431	12	65-617	77
65-135	85	65-216	75	65-432	12	65-618	77
65-136	85	65-217	75	65-445	13	65-619	77
65-138	95	65-218	75	65-446	13	65-620	77
65-139	95	65-219	75	65-447	13	65-623	94
65-140	95	65-220	75	65-451	13	65-624	94
65-141	95	65-221	75	65-452	13	65-625	94
65-142	95	65-223	99	65-453	13	65-626	94
65-143	95	65-224	99	65-454	13	65-627	94
65-144	95	65-225	99	65-455	13	65-628	94
65-145	95	65-226	99	65-456	13	65-629	94
65-146	95	65-231	90	65-497	16	65-630	94
65-147	95	65-232	90	65-498	16	65-631	94
65-148	95	65-233	90	65-499	16	65-632	94
65-149	95	65-234	90	65-500	16	65-641	17
65-151	86	65-235	90	65-502	16	65-642	17
65-152	86	65-236	90	65-503	16	65-643	17
65-153	86	65-237	90	65-504	16	65-644	17
65-154	86	65-238	90	65-505	16	65-645	17
65-155	86	65-239	91	65-506	16	65-646	17
65-156	86	65-240	91	65-507	16	65-647	17
65-157	86	65-241	91	65-508	16	65-648	17
65-158	86	65-242	91	65-522	18	65-650	17
65-159	87	65-244	96	65-524	18	65-651	17
65-160	87	65-245	96	65-526	18	65-652	17
65-161	87	65-251	92	65-531	76	65-653	17
65-162	87	65-252	92	65-532	76	65-671	82
65-163	87	65-253	92	65-533	76	65-672	82
65-164	87	65-254	92	65-534	76	65-673	82
65-165	87	65-255	92	65-535	76	65-674	83
65-166	87	65-256	92	65-536	76	65-675	83
65-171	98	65-257	92	65-537	76	65-676	83
65-172	98	65-258	92	65-538	76	65-677	81
65-173	98	65-259	92	65-539	76	65-678	81
65-177	19	65-260	92	65-571	10	65-679	81
65-178	19	65-261	92	65-572	10	65-680	81
65-179	19	65-262	92	65-573	10	65-690	11
65-180	19	65-265	80	65-575	10	65-691	11
65-181	18	65-266	80	65-576	10	65-694	11
65-182	18	65-267	80	65-577	10	65-695	11
65-183	18	65-268	80	65-581	10	65-701	51
65-184	18	65-269	80	65-582	10	65-702	51
65-185	18	65-270	80	65-583	10	65-706	51
65-186	18	65-401	105	65-585	10	65-707	51
65-187	19	65-402	105	65-586	10	65-708	51
65-188	19	65-403	104	65-587	10	65-1081	47
65-189	19	65-404	104	65-588	10	65-1082	47
65-190	19	65-405	105	65-589	10	65-1083	47
65-191	18	65-406	105	65-590	10	65-1084	47
65-192	18	65-407	104	65-591	10	65-1091	47
65-193	18	65-408	104	65-592	10	65-1092	47
65-194	18	65-409	105	65-593	10	65-1095	47

Item #	Page#	Item #	Page#	Item #	Page#	Item #	Page#
65-1096	47	86-204	95	S9646	110	S11703	129
65-1097	47	86-205	81, 82, 83, 90, 91, 92	S9647	110	S11704	130
65-1098	47	86-206	90, 91	S9648	110	S11705	130
65-1100	48	86-207	19	S9649	110	S11706	130
65-1101	48	86-208	19	S9693	110	S11707	130
65-1102	48	86-209	17	S9694	110	S11708	127
65-1103	48	86-210	17, 51, 52, 54	S9695	110	S11709	127
65-1104	48	86-211	16, 17, 51, 52, 54	S9696	110	S11710	127
65-1107	48	86-212	77	S9785	109	S11711	127
65-1108	48	86-213	94	S9786	109	S11712	128
65-1112	48	S8020	154	S9787	109	S11713	128
65-1113	48	S8021	154	S9788	109	S11714	128
65-1118	52, 54	S9368	42	S9789	109	S11715	128
65-1119	52, 54	S9369	42	S9880	39	S11716	124
65-1122	52	S9500	107	S9881	39	S11717	124
65-1123	52	S9501	107	S9882	40	S11718	124
65-1125	52	S9502	107	S9883	40	S11719	124
65-1126	52	S9503	107	S9884	40	S11720	121
65-1127	52	S9504	108	S9885	40	S11721	121
65-1132	54	S9505	108	S9886	40	S11722	121
65-1133	54	S9506	108	S9887	40	S11723	121
65-1135	54	S9507	108	S9888	40	S11724	121
65-1136	54	S9508	107, 109	S9889	40	S11800	112
65-1137	54	S9509	107, 109	S11600	133	S11801	112
65-1142	54	S9510	107, 109	S11601	133	S11810	135
65-1143	54	S9511	107, 109	S11602	133	S11811	135
65-1145	54	S9512	108	S11603	133	S11812	135
65-1146	54	S9513	108	S11604	133	S11813	135
65-1152	54	S9514	108	S11605	133	S11814	135
65-1153	54	S9515	108	S11606	133	S11815	135
65-1155	54	S9516	110	S11607	133	S11816	135
65-1156	54	S9517	110	S11608	133	S11817	135
76-640	79	S9518	110	S11609	133	S11820	112
76-641	79	S9519	110	S11610	133	S11821	112
76-665	79	S9520	110	S11611	133	S11822	112
76-666	79	S9521	110	S11612	133	S11824	112
80-942	132	S9522	110	S11613	133	S11825	112
80-943	132	S9523	110	S11614	133	S21500	32
80-945	132	S9524	107	S11615	133	S21501	32
80-944	132	S9525	108	S11616	133	S21502	32
80-946	122, 125, 127, 132, 135	S9526	110	S11617	133	S21503	33
80-947	123, 126, 128, 132, 135	S9527	110	S11618	132	S21504	33
80-948	132, 135	S9528	110	S11619	132	S21505	33
80-949	132	S9529	110	S11620	132	S21506	33
80-950	122, 125, 127, 129	S9530	110	S11621	132	S21507	34
80-951	123, 126, 128, 130	S9531	110	S11622	132	S21508	34
80-953	124	S9532	110	S11623	132	S21509	35
80-959	135	S9533	110	S11624	132	S21510	35
80-962	121	S9534	110	S11625	132	S21511	35
80-963	121	S9535	110	S11626	132	S21512	36
80-964	121	S9536	110	S11627	132	S21513	36
80-965	121	S9537	110	S11628	132	S21514	36
80-966	121	S9538	119	S11629	132	S21515	37
80-970	135	S9539	119	S11630	132	S21516	37
86-100	148	S9540	119	S11631	132	S21517	37
86-101	149	S9541	119	S11632	132	S21518	32
86-102	150	S9554	110	S11633	132	S21519	33
86-103	151	S9555	110	S11634	132	S21520	34
86-104	152	S9556	110	S11635	132	S21521	35
86-201	15	S9557	110	S11700	129	S21522	36
86-202	16	S9598	118	S11701	129	S21525	32
86-203	95	S9599	118	S11702	129	S21526	32

Item #	Page#	Item #	Page#	Item #	Page#	Item #	Page#
S21527	34	S29658	44	TH414	137	TH503	141
S21528	34	S29659	44	TH415	137	TH504	141
S21529	36	S29690	36	TH417	137	TH505	141
S21530	36	S29691	38	TH421	137	TH506	141
S21533	43	S39011	125	TH422	137	TH507	141
S21534	43	S39012	125	TH423	137	TK403	139
S21535	43	S39013	125	TH424	137	TK404	139
S21536	43	S39021	125	TH425	137	TK407	139
S21537	33	S39026	126	TH427	137	TK413	139
S21538	35	S39027	126	TH431	138	TK414	139
S21539	37	S39028	126	TH432	138	TK417	139
S21541	38	S39029	126	TH433	138	TK423	139
S29312	115	S39055	122	TH434	138	TK424	139
S29313	115	S39056	122	TH435	138	TK427	139
S29314	115	S39057	122	TH437	138	TP144	142
S29315	115	S39058	122	TH441	136	TP145	142
S29320	32	S39059	123	TH442	136	TP146	142
S29321	32	S39061	123	TH443	136	TP147	142
S29322	32	S39062	123	TH444	136	TP148	142
S29323	32	S39063	123	TH445	136	TP149	142
S29324	33	S39463	113	TH447	136	TP150	142
S29325	33	S39464	113	TH451	138	TP151	142
S29326	33	S39465	113	TH452	138	TP152	142
S29327	33	S39466	113	TH453	138	TP153	142
S29328	34	S39467	113	TH454	138	TP154	142
S29329	34	S39468	113	TH455	138	TP155	142
S29330	34	S39472	114	TH457	138	TP167	142
S29331	34	S39473	114	TH461	136	TP168	142
S29332	35	S39474	114	TH462	136	TP169	142
S29333	35	S39713	113	TH463	136	TP170	142
S29334	35	S39714	113	TH464	136	TP171	142
S29335	35	S39715	113	TH465	136	TP172	142
S29336	36	S39716	113	TH467	136	TP202	142
S29337	36	S39724	114	TH471	138	TP203	142
S29338	36	S39725	114	TH472	138	TP204	142
S29339	36	S39726	114	TH473	138	TP205	142
S29340	37	S39727	114	TH474	138	TP206	142
S29341	37	S39740	114	TH475	138	TP207	142
S29342	37	S39741	114	TH477	138	TP208	142
S29343	37	S39742	114	TH480	136	TP209	142
S29344	43	S39743	114	TH481	136	TP211	142
S29345	43	S39744	113	TH482	136	TR118	142
S29346	43	S39745	114	TH483	136	TR119	142
S29347	43	S39756	116	TH484	136	TR120	142
S29349	34	S39757	116	TH485	136	TR121	142
S29357	34	S39758	116	TH486	136	TR122	142
S29358	36	S39759	116	TH487	136	TR123	142
S29359	32	S39770	117	TH488	137	TR124	142
S29360	34	S39771	117	TH489	137	TR125	142
S29361	35	S39772	117	TH490	137	TR126	142
S29362	36	S39773	117	TH491	137	TR127	142
S29363	37	S39847	113	TH492	137	TR128	142
S29367	34	S39848	114	TH493	137	TR129	142
S29379	36	TH401	137	TH494	137		
S29650	38	TH402	137	TH495	137		
S29651	38	TH403	137	TH496	137		
S29652	38	TH404	137	TH497	137		
S29653	43	TH405	137	TH498	137		
S29654	43	TH407	137	TH499	137		
S29655	34	TH411	137	TH500	141		
S29656	44	TH412	137	TH501	141		
S29657	44	TH413	137	TH502	141		



To learn more about Satco | Nuvo,
visit satco.com or contact 800-437-2826.

DISTRIBUTION CENTERS

New York (Headquarters)

110 Heartland Blvd., Brentwood, NY 11717

Tel. 631-243-2022, Fax: 631-243-2027

Texas

2000 Valwood Parkway, Farmers Branch, TX 75234

Tel. 972-247-2437, Fax: 972-247-5408

Florida

900 N.W. 159th Drive, Miami, FL 33109

Tel. 305-624-2044, Fax: 305-623-0286

California

31288 San Benito Street, Hayward, CA 94544

Tel. 510-487-4822, Fax: 510-487-8955

Washington

4710 116th S.W., Mukilteo, WA 98275

Tel. 425-789-3300, Fax: 425-789-3310

Puerto Rico

Campeche Street. 23 Julio

N. Matos Industrial Park, Carolina, PR 00984

Tel. 787-757-3510, Fax: 787-757-3540